

# TANGENT FOLDING STANDARD 290

E A C H D O O R W E I G H T M A X 3 5 k g

## APPLICATION

- ▶ For residential and commercial folding partitions where weatherproofing to the head and sill of the opening may be required.
- ▶ To accommodate different building designs leaves can fold to one or both sides of the opening and can be stacked behind a reveal if required.
- ▶ To cover any width of opening, any number of folding units can be used.
- ▶ Where doors are fitted externally, a canopy is recommended.

## DOOR SPECIFICATION

290

For individual leaves:	
Max Leaf Height	2400mm
Max Leaf Weight	35 kg
Max Leaf Width	900mm
Door Thickness	35-50mm

Folding units of up to eight leaves can be hinged to post or free-floating. A swinging access door can be included within a unit hinged to post incorporating an odd number of leaves. Alternatively, an access door can be independently hinged to post.

Floating units should always consist of an even number of leaves in units of four, six or eight.

Clearance between leaves to be 2mm minimum.

Door leaves should be constructed to provide secure fixing for hanger, hinges and guides and can either be flush, panelled or glazed.

## GEAR SPECIFICATION

<b>Track:</b>	290 (2mm thickness)
<b>Material:</b>	galvanised steel
<b>Standard Lengths:</b>	1800mm, 2000mm, 2500mm, 3000mm, 4000mm and 6000mm

<b>Brackets:</b>		
face fixing	1A/290	aluminium alloy pressure die casting
soffit fixing	3A/290	aluminium alloy pressure die casting

Brackets for special applications are available (see overleaf).  
Fix at 900mm centres (maximum).  
Fix additional bracket where folding units stack.

<b>Hangers:</b>	
Intermediate hangers:	62K
End hanger:	63K

Hangers are fitted with steel wheels on sintered bush bearings.  
Vertical adjustment is simple and positive.

<b>Guides:</b>	
Intermediate guide:	67/89
End guide:	68/89

<b>Hinges:-</b>	
Back-flap	65 aluminium alloy

Fit three hinges.

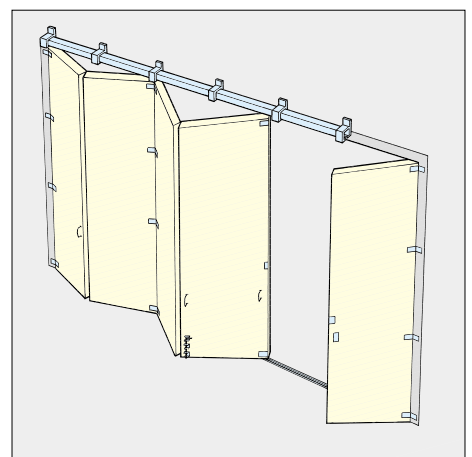
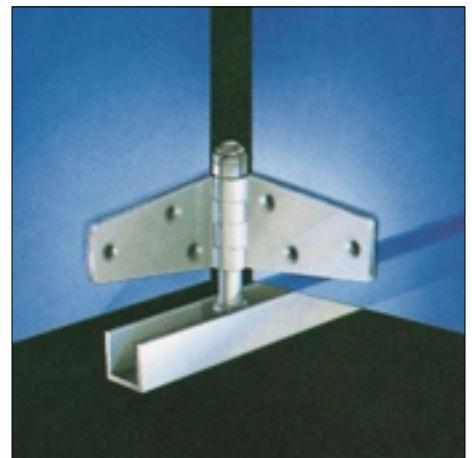
All steel parts to hangers, guides and hinges are electro-zinc plated.

<b>Channel:</b>	89 galvanised steel
-----------------	---------------------

Standard lengths correspond with standard track lengths. Pre-drilled for lugging into concrete and fitting with drainage funnel.

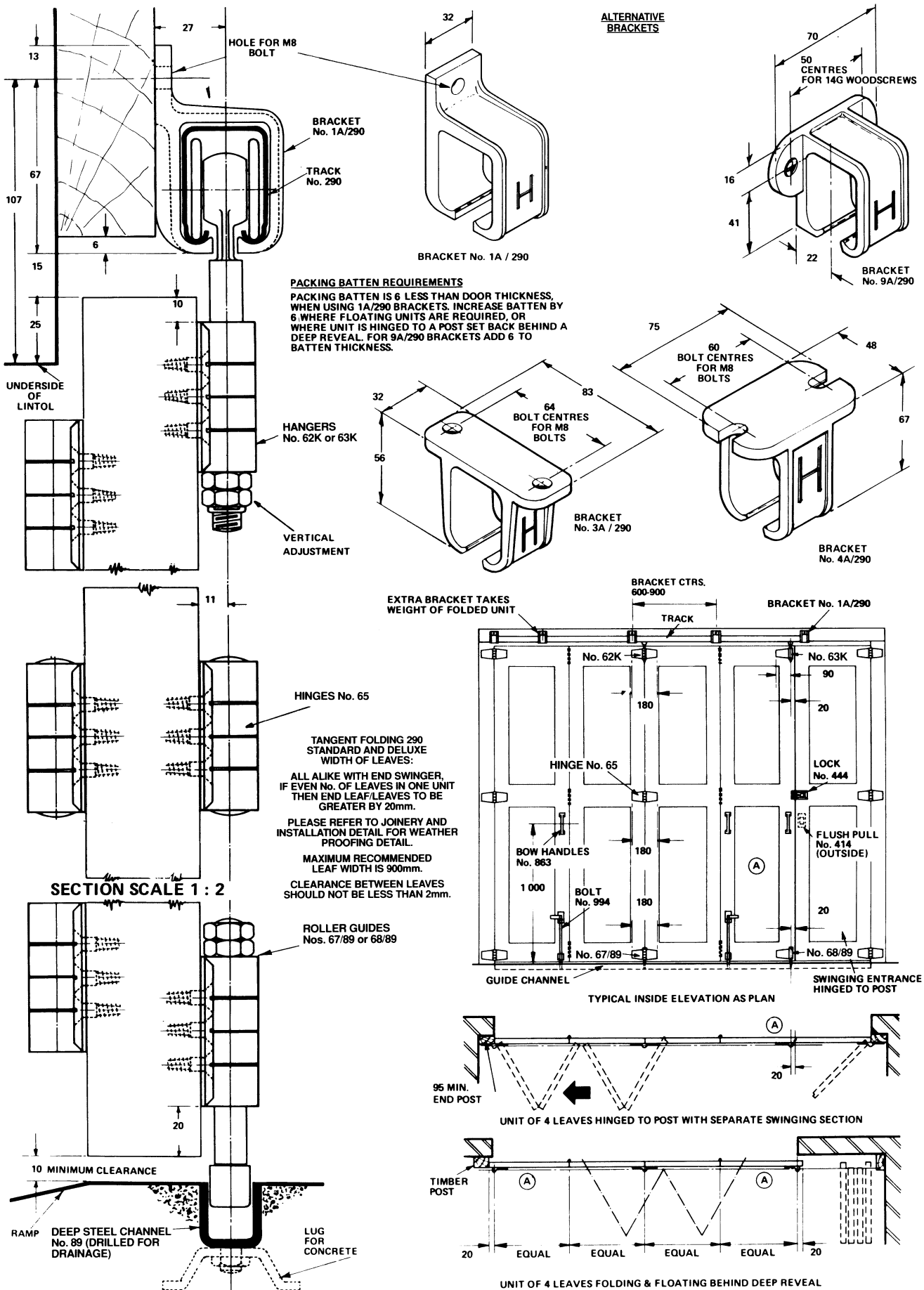
**Accessories:** Bow Handles, Flush Pulls, Bolts and Locks.

## EXTERNAL FOLDING DOORS TOP HUNG TIMBER OR METAL DOORS



Standard Application

# TANGENT FOLDING STANDARD 290



# TANGENT FOLDING DELUXE 290

E A C H D O O R W E I G H T M A X 3 5 k g

## APPLICATION

- ▶ For residential and commercial folding partitions where weatherproofing to the head and sill of the opening may be required.
- ▶ All visible Tangent Folding Deluxe fittings are buffed to a satin finish and lacquered.
- ▶ To accommodate different building designs door leaves can fold to one or both sides of the opening and can be stacked behind a reveal if required.
- ▶ To cover any width of opening, any number of folding units can be used.
- ▶ Where doors are fitted externally, a canopy is recommended.

## DOOR SPECIFICATION

290

For individual leaves:	
Max Leaf Height	2400mm
Max Leaf Weight	35 kg
Max Leaf Width	900mm
Door Thickness	35-50mm

Folding units of up to eight leaves can be hinged to post or free-floating. A swinging access door can be included within a unit hinged to post incorporating an odd number of leaves. Alternatively, an access door can be independently hinged to post.

Floating units should always consist of an even number of leaves in units of four, six or eight.

Clearance between leaves to be 2mm minimum.

Door leaves should be constructed to provide secure fixing for hanger, hinges and guides and can either be flush, panelled or glazed.

## GEAR SPECIFICATION

<b>Track:</b>	290 (2mm thickness)
<b>Material:</b>	galvanised steel
<b>Standard Lengths:</b>	1800mm, 2000mm, 2500mm, 3000mm, 4000mm and 6000mm

<b>Brackets:-</b>		
face fixing	1A/290	aluminium alloy pressure die casting
soffit fixing	3A/290	aluminium alloy pressure die casting
Brackets for special applications are available (see overleaf).		
Fix at 900mm centres (maximum).		
Fix additional bracket where folding units stack.		

<b>Hangers:-</b>	
Intermediate hangers:	62K/P
End hanger:	63K/P
Aluminium hinge parts are buffed to a satin finish and lacquered.	
Hangers are fitted with steel wheels on sintered bush bearings.	
Vertical adjustment is simple and positive.	

<b>Guides:-</b>	
Intermediate guide:	67/94P
End guide:	68/94P
Aluminium hinge parts are buffed to a satin finish and lacquered.	

<b>Hinges:-</b>	403/3	butt hinge
	403/2	butt hinge

Fit three hinges high.

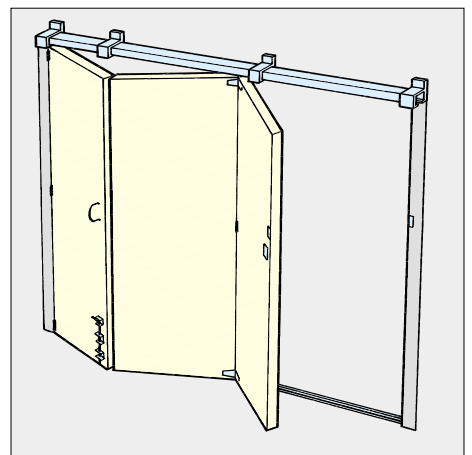
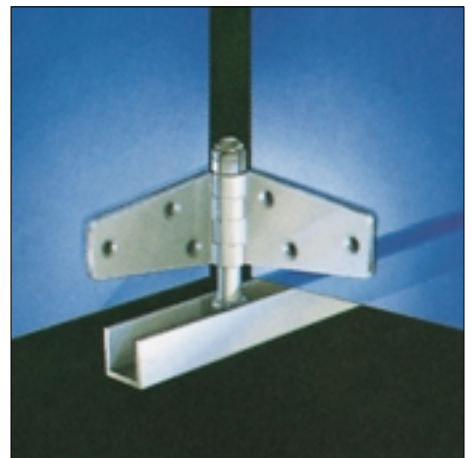
All steel parts to hangers and guides are electro-zinc plated.

<b>Channel:</b>	94X	aluminium
	94	brass

Standard lengths of aluminium channel correspond with standard track lengths, standard lengths of brass channel are 1500mm and 3000mm. Pre-drilled and countersunk for wood or lugging into concrete.

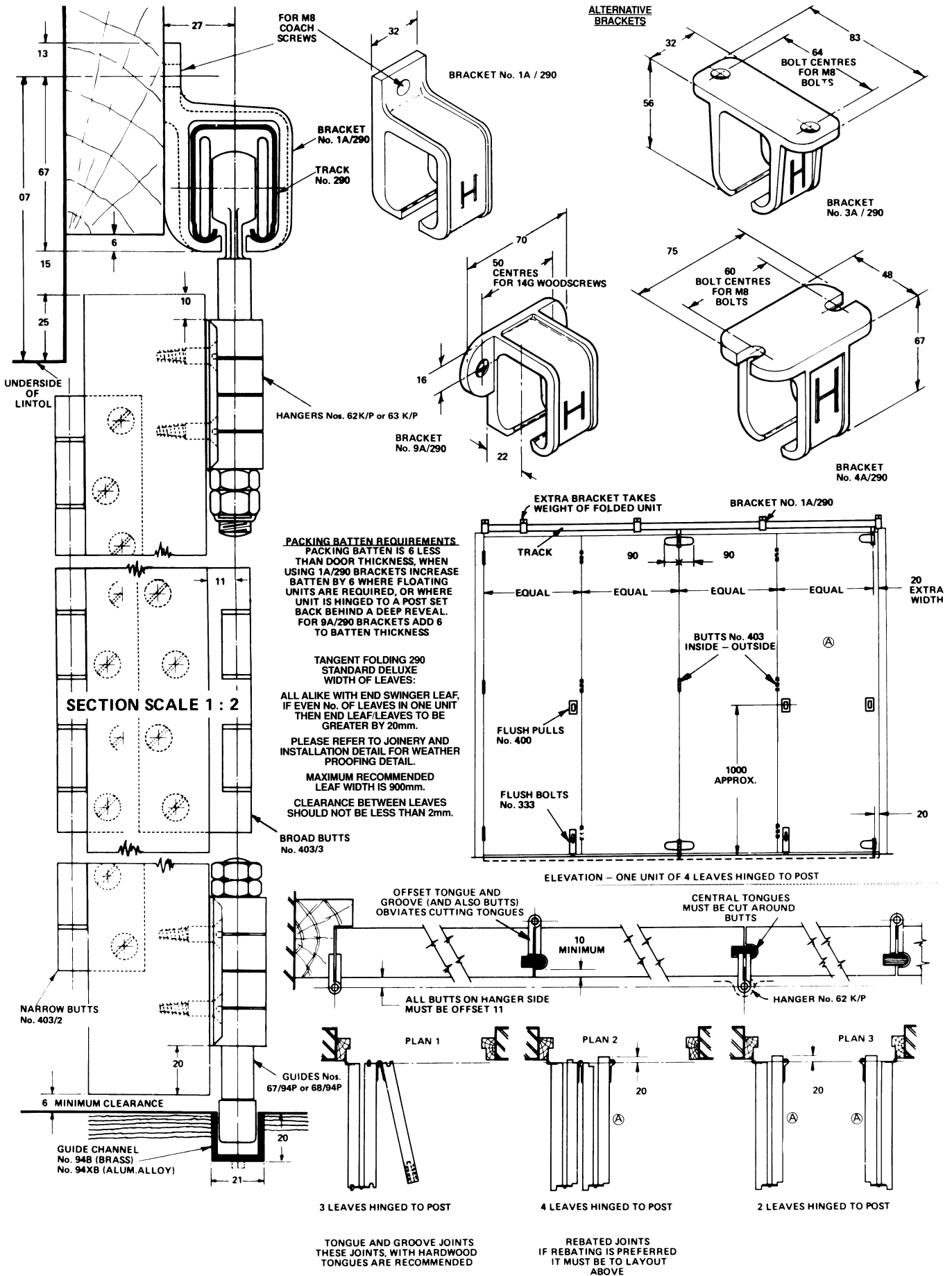
**Accessories:** Flush Pulls, Flush Bolts and Locks.

## EXTERNAL FOLDING DOORS TOP HUNG TIMBER OR METAL DOORS



Standard Application

# TANGENT FOLDING DELUXE 290



# TANGENT FOLDING STANDARD 301

EACH DOOR WEIGHT MAX 55 kg or 70 kg

## APPLICATION

- ▶ For residential and commercial folding partitions where weatherproofing to the head and sill of the opening may be required.
- ▶ To accommodate different building designs leaves can fold to one or both sides of the opening and can be stacked behind a reveal if required.
- ▶ To cover any width of opening, any number of folding units can be used.
- ▶ Where doors are fitted externally, a canopy is recommended.

## DOOR SPECIFICATION

	301	301H
For individual leaves:		
Max Leaf Height	3300mm	3600mm
Max Leaf Weight	55 kg	70 kg
Max Leaf Width	900mm	900mm
Door Thickness	45-55mm	45-55mm

Folding units of up to eight leaves can be hinged to post or free-floating. A swinging access door can be included within a unit hinged to post under 3000mm high by incorporating an odd number of leaves. On openings above 3000mm high, units should consist of an even number of leaves and access doors should either be a separate independent swing door or a wicket door in one of the folding leaves.

Floating units should always consist of an even number of leaves in units of four, six or eight.

Clearance between leaves to be 2mm minimum.

Door leaves should be constructed to provide secure fixing for hanger, hinges and guides and can either be flush, panelled or glazed.

## GEAR SPECIFICATION

<b>Track:</b>	301 (2mm thickness) or 301H (3mm thickness)	
<b>Material:</b>	galvanised steel	
<b>Standard Lengths:</b>	1800mm, 2000mm, 2500mm, 3000mm, 4000mm and 6000mm	

<b>Brackets:</b>		
face fixing	1A/301	aluminium alloy pressure die casting
soffit fixing	3A/301	aluminium alloy pressure die casting
Brackets for special applications are available (see overleaf).		
Fix at 900mm centres (maximum).		
Fix additional bracket where folding units stack.		

<b>Hangers:</b>		
Intermediate hanger:	62A	
End hanger:	63A	
Hangers are fitted with steel wheels on maintenance free sealed for life precision ball bearings.		
Vertical adjustment is simple and positive.		

<b>Guides:</b>		
Intermediate guide:	67/97	
End guide:	68/97	

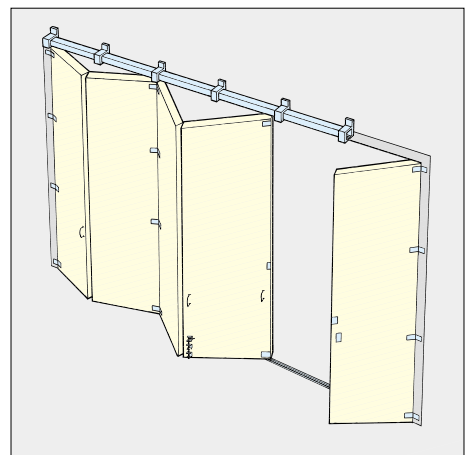
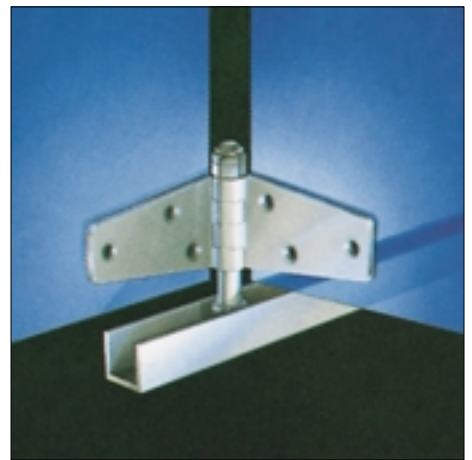
<b>Hinges:</b>		
Back-flap	65	aluminium alloy
On leaves up to 3300mm high fit 3 hinges, leaves above 3300mm fit 4 hinges.		

All steel parts to hangers, guides and hinges are electro-zinc plated.

<b>Channel:</b>	97	galvanised steel
Standard lengths correspond with standard track lengths.		
Pre-drilled for lugging into concrete and fitting with drainage funnel.		

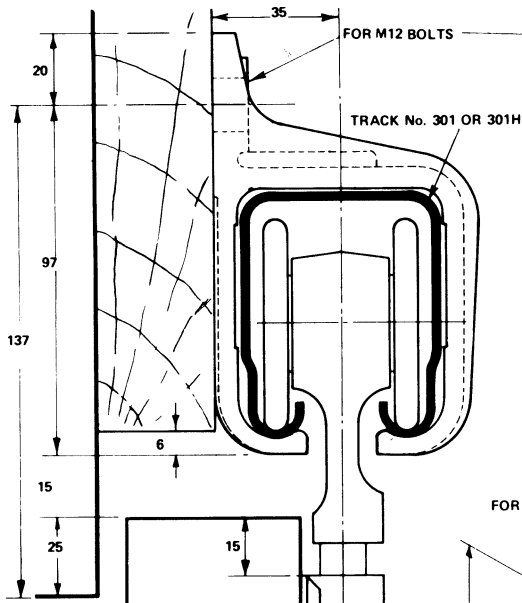
**Accessories:** Bow Handles, Flush Pulls, Flush Bolts and Locks.

## EXTERNAL FOLDING DOORS TOP HUNG TIMBER OR METAL DOORS



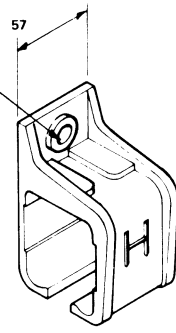
Standard Application

# TANGENT FOLDING STANDARD 301



SECTION SCALE 1 : 2

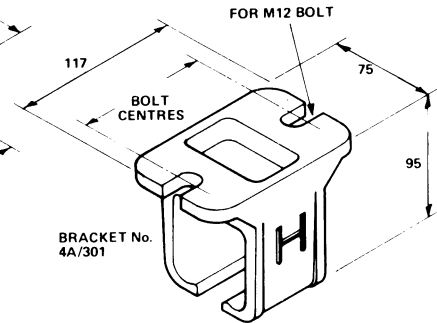
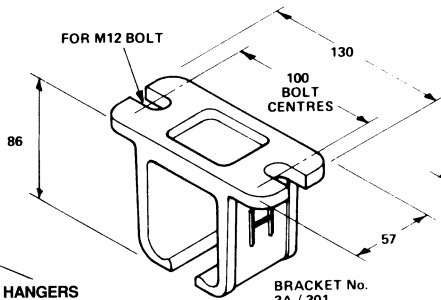
TANGENT FOLDING 301 AND 301H STANDARD AND DELUXE WIDTH OF LEAVES:  
 ALL ALIKE WITH END SWINGER, IF EVEN No. OF LEAVES IN ONE UNIT THEN END LEAF/LEAVES TO BE GREATER BY 30mm.  
 PLEASE REFER TO JOINERY AND INSTALLATION DETAIL FOR WEATHER PROOFING DETAIL.  
 MAXIMUM RECOMMENDED LEAF WIDTH IS 900mm.  
 CLEARANCE BETWEEN LEAVES SHOULD NOT BE LESS THAN 2mm.



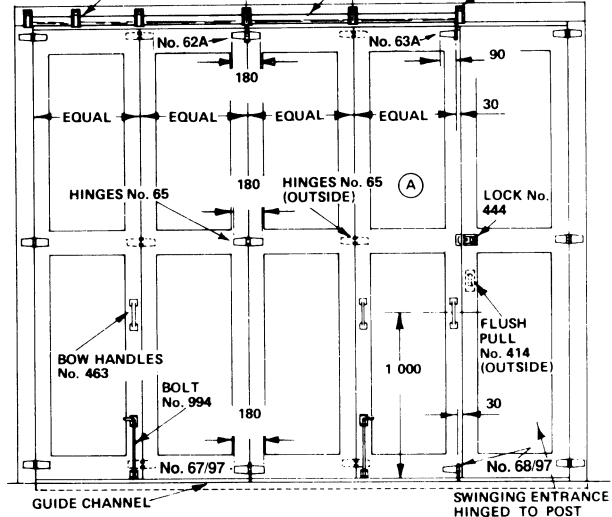
BRACKET No. 1A / 301

PACKING BATTEN REQUIREMENTS  
 PACKING BATTEN IS 16 LESS THAN DOOR THICKNESS, WHEN USING 1A/301 BRACKETS.

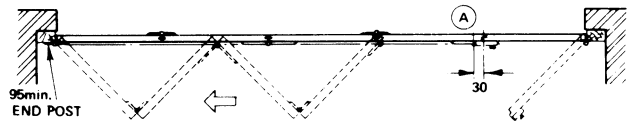
INCREASE BATTEN BY 6 WHERE FLOATING UNITS ARE REQUIRED, OR WHERE UNIT IS HINGED TO A POST SET BACK BEHIND A DEEP REVEAL.



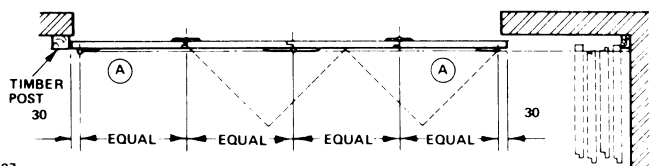
EXTRA BRACKET TAKES WEIGHT OF FOLDED UNIT



TYPICAL INSIDE ELEVATION AS PLAN



UNIT OF 4 LEAVES HINGED TO POST WITH SEPARATE SWINGING SECTION



UNIT OF 4 LEAVES FOLDING & FLOATING BEHIND DEEP REVEAL

# TANGENT FOLDING DELUXE 301

EACH DOOR WEIGHT MAX 35 kg or 70 kg

## APPLICATION

- ▶ For residential and commercial folding partitions where weatherproofing to the head and sill of the opening may be required.
- ▶ All visible Tangent Folding Deluxe fittings are buffed to a satin finish and lacquered.
- ▶ To accommodate different building designs leaves can fold to one or both sides of the opening and can be stacked behind a reveal if required.
- ▶ To cover any width of opening, any number of folding units can be used.
- ▶ Where doors are fitted externally, a canopy is recommended.

## DOOR SPECIFICATION

	301	301H
For individual leaves:		
Max Leaf Height	3300mm	3600mm
Max Leaf Weight	55 kg	70 kg
Max Leaf Width	900mm	900mm
Door Thickness	45-55mm	45-55mm

Folding units of up to eight leaves can be hinged to post or free-floating. A swinging access door can be included within a unit hinged to post under 3000mm high by incorporating an odd number of leaves. On openings above 3000mm high, units should consist of an even number of leaves and access doors should either be a separate independent swing door or a wicket door in one of the folding leaves.

Floating units should always consist of an even number of leaves in units of four, six or eight.

Clearance between leaves to be 2mm minimum.

Door leaves should be constructed to provide secure fixing for hanger, hinges and guides and can either be flush, panelled or glazed.

## GEAR SPECIFICATION

**Track:** 301 (2mm thickness) or 301H (3mm thickness)  
**Material:** galvanised steel  
**Standard Lengths:** 1800mm, 2000mm, 2500mm, 3000mm, 4000mm and 6000mm

**Brackets:**  
 face fixing 1A/301 aluminium alloy pressure die casting  
 soffit fixing 3A/301 aluminium alloy pressure die casting  
 Brackets for special applications are available (see overleaf).  
 Fix at 900mm centres (maximum).  
 Fix additional bracket where folding units stack.

**Hangers:**  
 Intermediate hangers: 62A/P  
 End hanger: 63A/P  
 Aluminium hinge parts are buffed to a satin finish and lacquered.  
 Hangers are fitted with steel wheels on maintenance free sealed for life precision ball bearings.  
 Vertical adjustment is simple and positive.

**Guides:**  
 Intermediate guide: 67/94P  
 End guide: 68/94P  
 Aluminium hinge parts are buffed to a satin finish and lacquered.

**Hinges:** 403/3 butt hinge  
 403/2 butt hinge  
 On leaves up to 3300mm high fit 3 hinges, leaves above 3300mm fit 4 hinges.

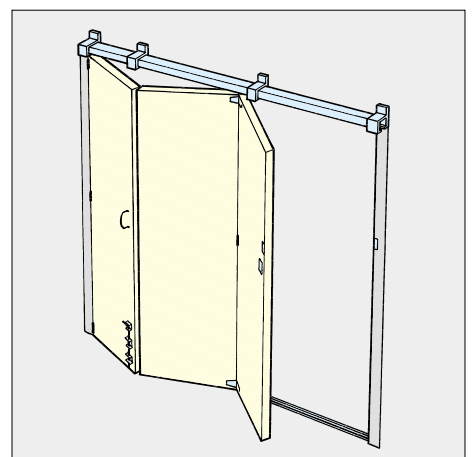
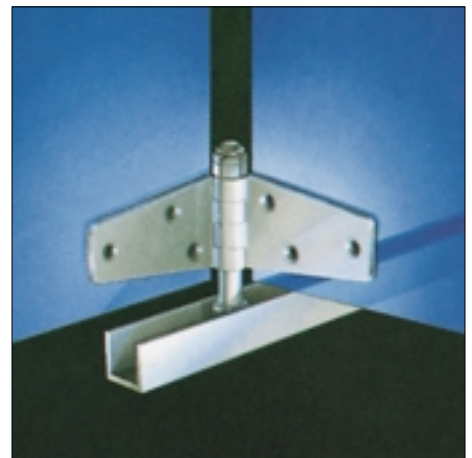
All steel parts to hangers and guides are electro-zinc plated.

**Channel:** 94X aluminium  
 94 brass

Standard lengths of aluminium channel correspond with standard track lengths, standard lengths of brass channel are 1500mm and 3000mm. Pre-drilled and countersunk for wood or lugging into concrete.

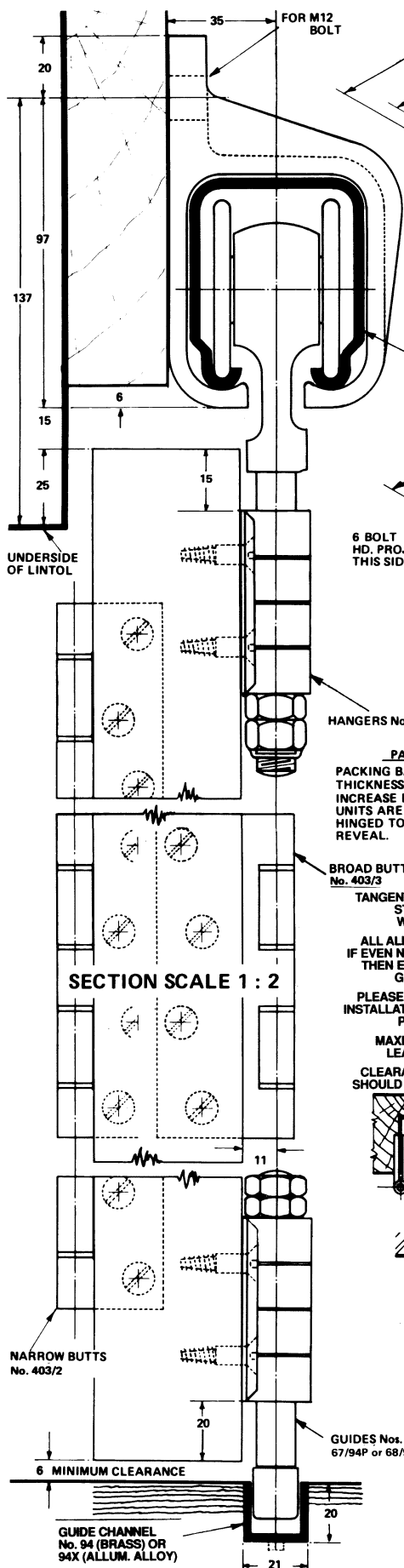
**Accessories:** Flush Pulls, Flush Bolts and Locks.

## EXTERNAL FOLDING DOORS TOP HUNG TIMBER OR METAL DOORS

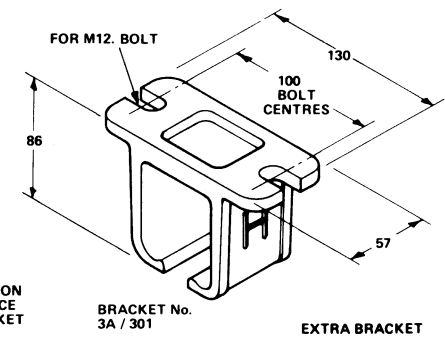
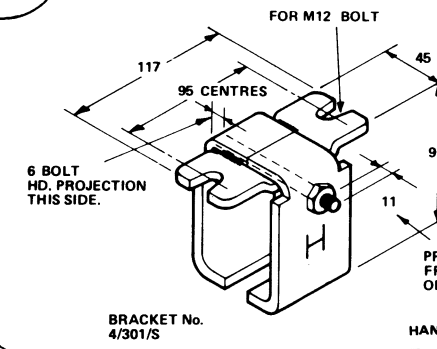
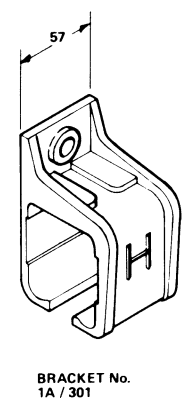
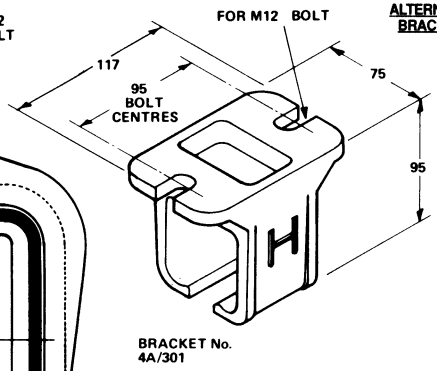


Standard Application

# TANGENT FOLDING DELUXE 301

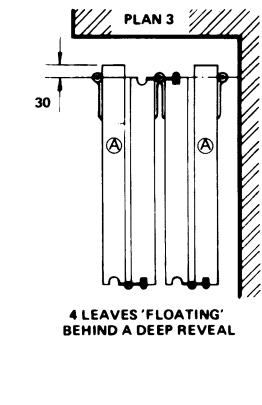
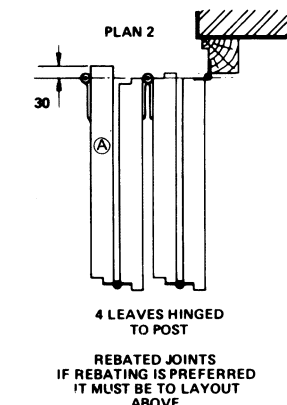
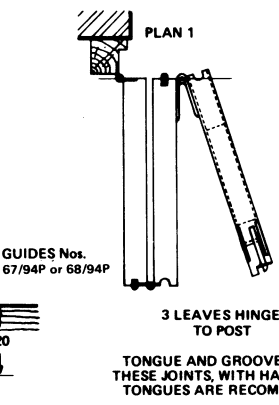
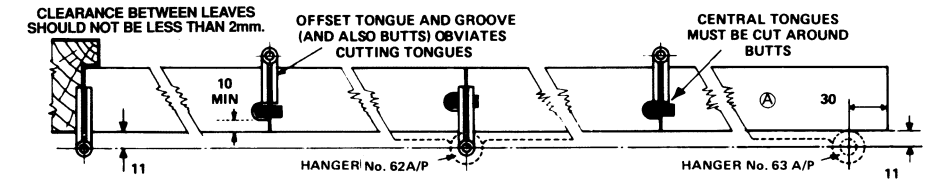
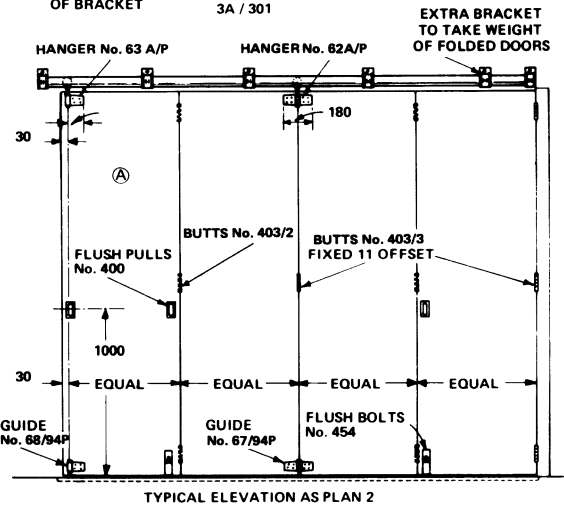


SECTION SCALE 1 : 2



**PACKING BATTEN REQUIREMENTS**  
 PACKING BATTEN IS 16 LESS THAN DOOR THICKNESS, WHEN USING 1A/301 BRACKETS AND INCREASE BATTEN BY 6 WHERE FLOATING UNITS ARE REQUIRED, OR WHERE UNIT IS HINGED TO A POST SET BACK BEHIND A DEEP REVEAL.

**BROAD BUTTS No. 403/3**  
 TANGENT FOLDING 301 AND 301H STANDARD DELUXE WIDTH OF LEAVES:  
 ALL ALIKE WITH END SWINGER, IF EVEN No. OF LEAVES IN ONE UNIT THEN END LEAF/LEAVES TO BE GREATER BY 30mm.  
 PLEASE REFER TO JOINERY AND INSTALLATION DETAIL FOR WEATHER PROOFING DETAIL.  
 MAXIMUM RECOMMENDED LEAF WIDTH IS 900mm.





# TANGENT FOLDING STANDARD 305

E A C H D O O R W E I G H T M A X 8 0 k g

## APPLICATION

- ▶ For heavy duty industrial folding doors where weatherproofing to the head and sill of the opening may be required.
- ▶ To accommodate different building designs leaves can fold to one or both sides of the opening and can be stacked behind a reveal if required.
- ▶ To cover any width of opening any number of folding units can be used.
- ▶ Where doors are fitted externally, a canopy is recommended.

## DOOR SPECIFICATION

305

For individual doors:

Max Door Height	4500mm
Max Door Weight	80 kg
Max Leaf Width	900mm
Door Thickness	45-55mm

Folding units of two, four, six or eight leaves can be hinged to post. Access doors should either be a separate independent swing door hinged to post or a wicket door in one of the folding leaves.

Floating units should always consist of an even number of leaves in units of four, six or eight.

Clearance between leaves to be 2mm minimum.

Door leaves should be constructed to provide secure fixing for hangers, hinges and guides and can either be flush, panelled or glazed.

## GEAR SPECIFICATION

<b>Track:</b>	305 (3mm thickness)
<b>Material:</b>	galvanised steel
<b>Standard lengths:</b>	1800mm, 2000mm, 2500mm, 3000mm, 4000mm and 6000mm.

### Brackets:

face fixing	1A/305	aluminium alloy pressure die casting
soffit fixing	3A/305	aluminium alloy pressure die casting

Brackets for special applications are available (see overleaf).

Fix at every 900mm centres (maximum) reducing to 600mm for heavier doors.

Fix additional bracket where folding units stack.

### Hangers:

Intermediate hanger	62C
End hanger	63C

Hangers are fitted with steel wheels on maintenance free sealed for life precision ball bearings. Vertical adjustment is simple and positive.

### Guides:

Intermediate guide	67C/97
End guide	68C/97

### Hinges:

Back-flap	65C
-----------	-----

On leaves up to 3300mm high fit 3 hinges, leaves above 3300mm fit 4 hinges.

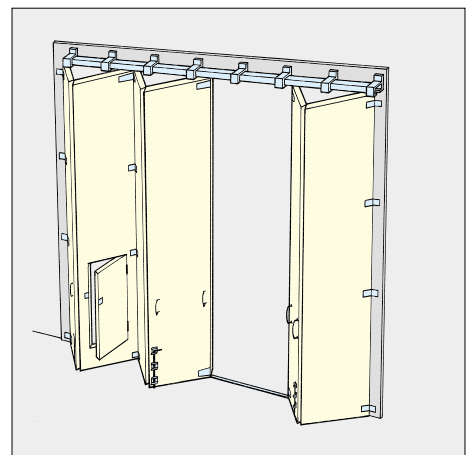
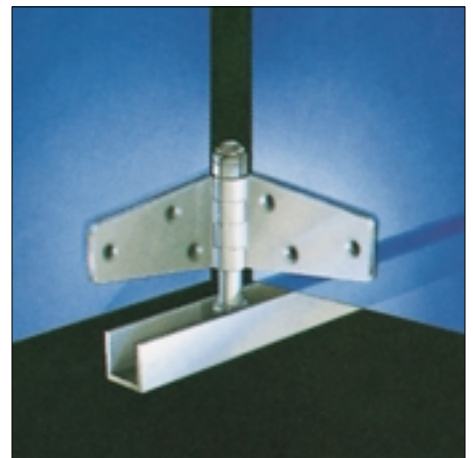
All steel parts to hangers, guides and hinges electro-zinc plated.

<b>Channel</b>	97	galvanised steel
----------------	----	------------------

Standard lengths correspond with standard track lengths. Pre-drilled for lugging into concrete and fitting with drainage funnel.

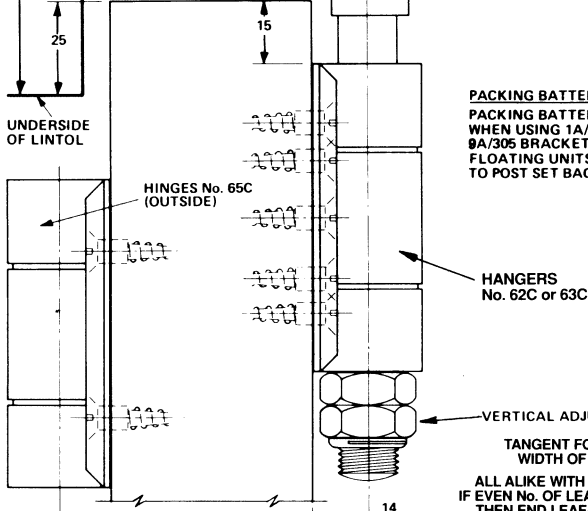
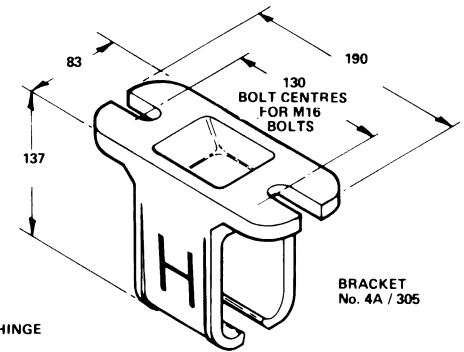
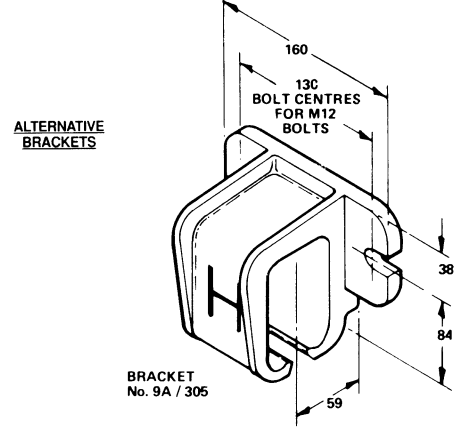
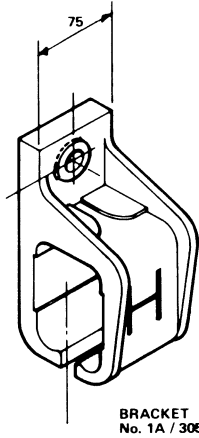
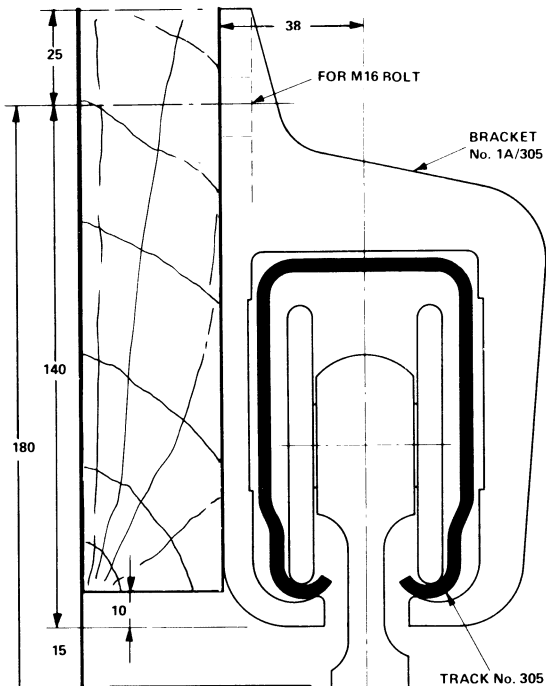
**Accessories** Bow handles, Flush Pulls, Flush Bolts and Locks.

## EXTERNAL FOLDING DOORS TOP HUNG TIMBER OR METAL DOORS

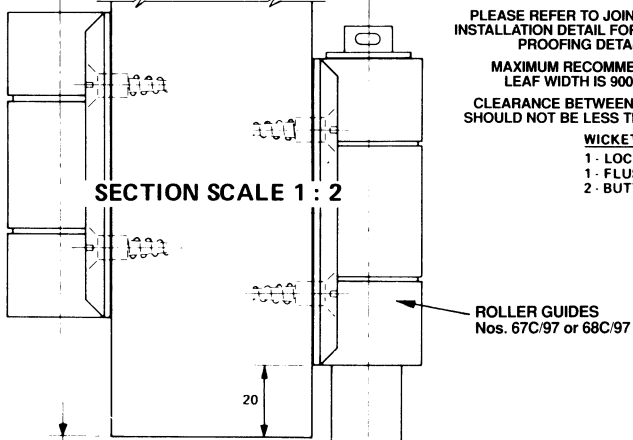


Standard Application

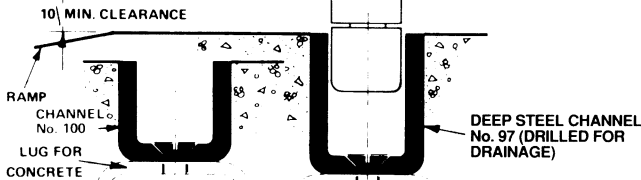
# TANGENT FOLDING STANDARD 305



**PACKING BATTEN REQUIREMENTS**  
 PACKING BATTEN IS 16 LESS THAN DOOR THICKNESS WHEN USING 1A/305 BRACKETS AND 35 LESS FOR 9A/305 BRACKETS. INCREASE BATTEN BY 10 WHERE FLOATING UNITS ARE REQUIRED OR WHERE DOORS HINGE TO POST SET BACK BEHIND DEEP REVEALS.



**SECTION SCALE 1 : 2**



**TANGENT FOLDING 305 WIDTH OF LEAVES:**  
 ALL ALIKE WITH END SWINGER, IF EVEN No. OF LEAVES IN ONE UNIT THEN END LEAF/LEAVES TO BE GREATER BY 38mm.  
 PLEASE REFER TO JOINERY AND INSTALLATION DETAIL FOR WEATHER PROOFING DETAIL.  
 MAXIMUM RECOMMENDED LEAF WIDTH IS 900mm.  
 CLEARANCE BETWEEN LEAVES SHOULD NOT BE LESS THAN 2mm.

**WICKET GEAR**  
 1 - LOCK 444  
 1 - FLUSH PULL 414  
 2 - BUTTS No. 41

