

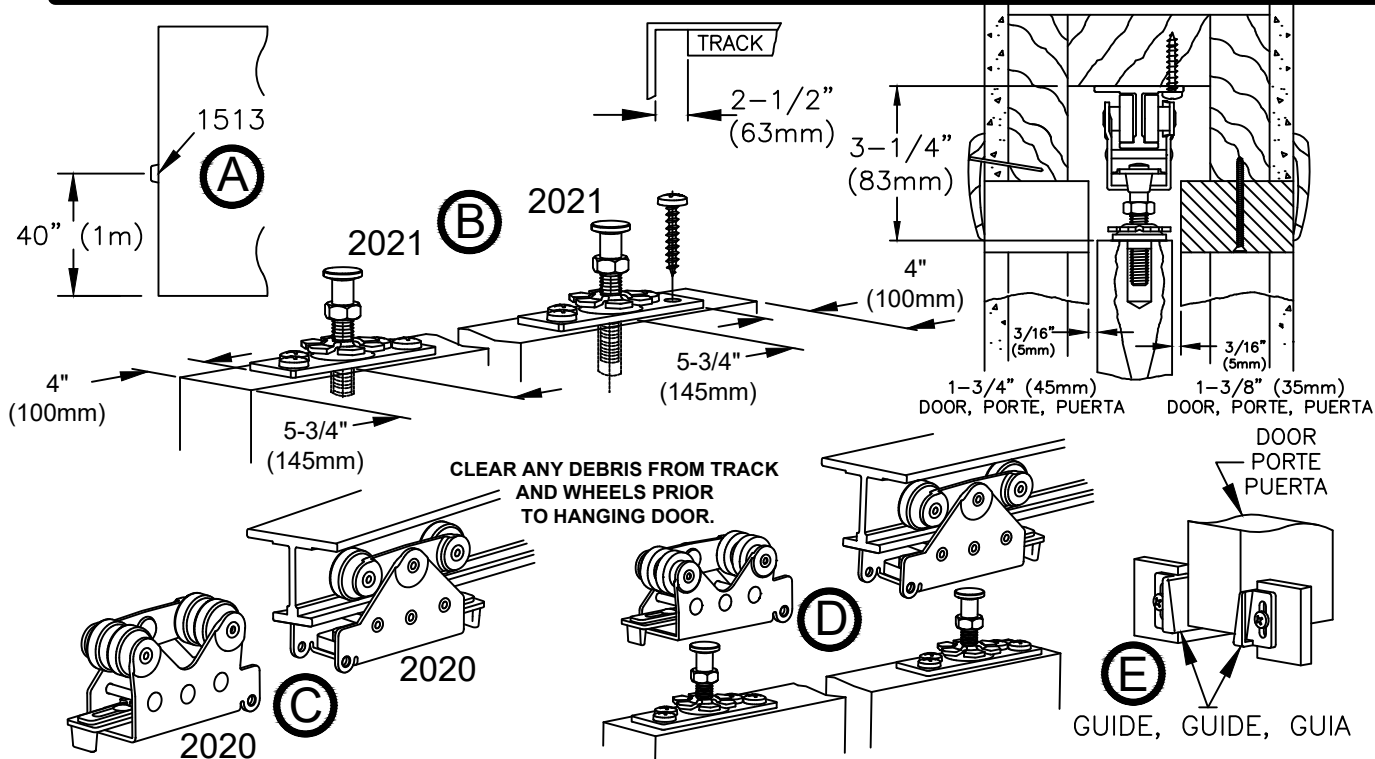


# INSTRUCTIONS

## 200PD SERIES HARDWARE FOR "JOB-SITE" POCKET DOORS

www.johnsonhardware.com

For 1-1/8" (28mm) to 1-3/4" (45mm) Panels weighing up to 400 lbs. (182kgs) each.  
Para paneles de 28mm a 45mm y de hasta 182 kg cada uno.  
Pour panneaux de 28mm a 45mm pesant jusqu' à 182 kg chacun.



CLEAR ANY DEBRIS FROM TRACK AND WHEELS PRIOR TO HANGING DOOR.

GUIDE, GUIDE, GUIA

**NOTE:** Track must be level and square with jamb. Door must be sealed on all 6 sides.

**A/Attach Bumper (1513)** (if included) on back edge of the door 40" (1m) from bottom.

**B/Attach Door Plates (2021)** by drilling a hole 1/2" (13mm) dia. by 1-1/2" (38mm) deep on the top of the door 5-3/4" (145 mm) from each edge.

**C/Insert Hanger (2020)** into track.

**D/Mount Door** by locating the adjusting bolt of door plate (2021) under hanger (2020) and tilting door until bolt will slide into seat of hanger (2020). Repeat with other hanger/door plate. Adjust hangers (2020) for height and plumb jamb.

**E/Attach Guides (1550)** at bottom of opening and adjust so door is centered in opening.

**NOTA:** El riel debe estar nivelado y en escuadra con la jamba. La puerta debe estar sellada en todos los 6 lados.

**A/Coloque el Tope (1513)** (si está incluido) en el borde trasero de la puerta a 1m desde abajo.

**B/Coloque las Placas de Puerta (2021)**, haciendo un orificio de 13mm de diámetro por 38mm de profundidad sobre la puerta a 145mm de cada borde.

**C/Coloque el Colgador (2020)** en el riel.

**D/Instale la Puerta**, ubicando el perno de ajuste de la placa de la puerta (2021) debajo del colgador (2020) e inclinando la puerta hasta que el perno se deslice asentándose en el colgador (2020). Repita con el otro colgador/placa de puerta. Ajuste los colgadores (2020) para obtener la altura y verticalidad con la jamba.

**E/Coloque las guía (1550)** abajo en la apertura y ajústelas para que la puerta quede contrada al abrirla.

**NOTE:** La glissière doit être niveau et perpendiculaire au montant. La porte doit être fermée sur ses 6 cotés.

**A/Fixez la butée (1513)** (si fournie) sur la tranche arrière de la porte à 1m du bas.

**B/Fixez les attaches (2021)** en creusant un trou de 13mm de diamètre et 38mm de profondeur sur la haut de la porte à 145mm de chaque côté.

**C/Insérez les roulettes (2021)** dans la glissière.

**D/Assemblez la porte** en localisant la vis d'ajustement de l'attache (2021) sous la roulette (2020) en penchant la porte jusqu' à ce que la vis vienne se loger dans le siège de l'attache (2020). Répétez avec l'autre roulette/attache. Ajustez les roulettes (2020) pour la hauteur et vérifiez l'aplomb par rapport au montant.

**E/Fixez les guides (1550)** au bas de l'ouverture et ajustez la porte de sorte qu'elle soit centrée dans l'ouverture.

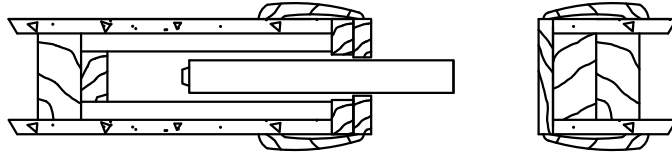


# INSTRUCTIONS

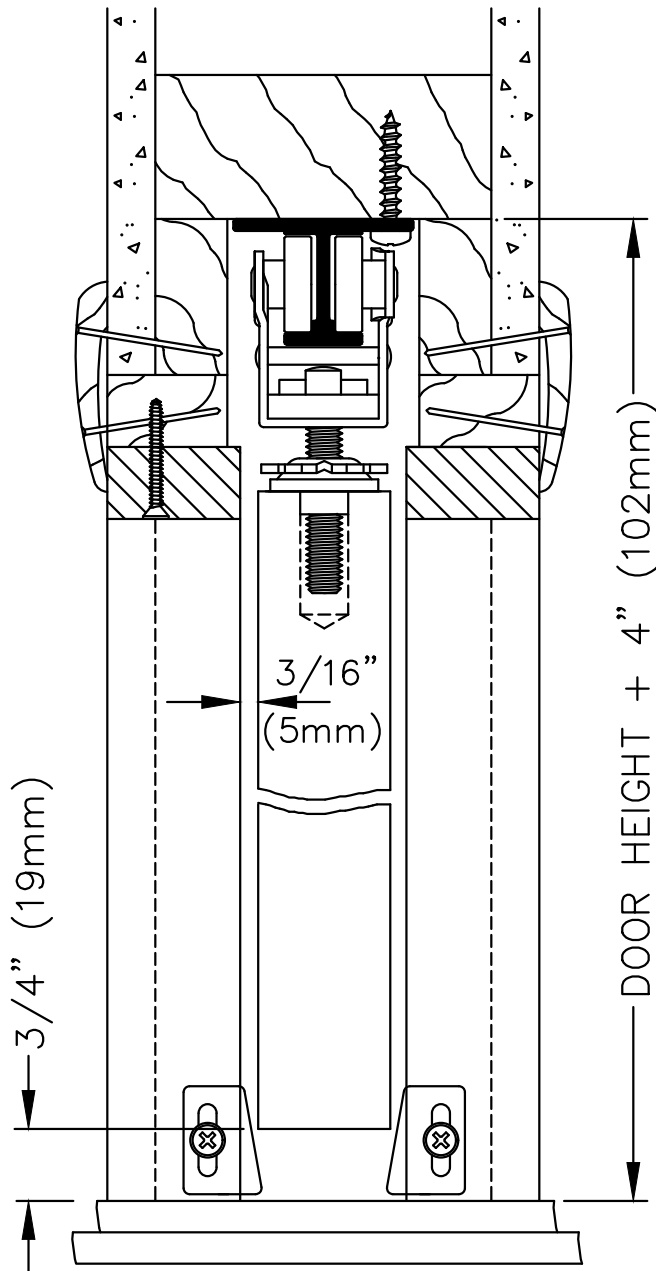
## 200PD SERIES HARDWARE FOR "JOB-SITE" POCKET DOORS

www.johnsonhardware.com

For 1-1/8" (28mm) to 1-3/4" (45mm) Panels weighing up to 400 lbs. (182kgs) each.  
Para paneles de 28mm a 45mm y de hasta 182 kg cada uno.  
Pour panneaux de 28mm a 45mm pesant jusqu' à 182 kg chacun.



200PD



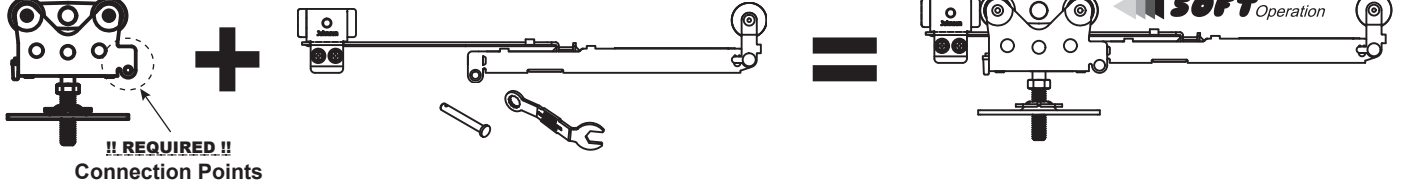
# INSTRUCTIONS

## 2066 SINGLE DIRECTION SOFT-CLOSE KIT FOR 200 SERIES POCKET DOOR HARDWARE

2020 Door Hanger  
NOT INCLUDED

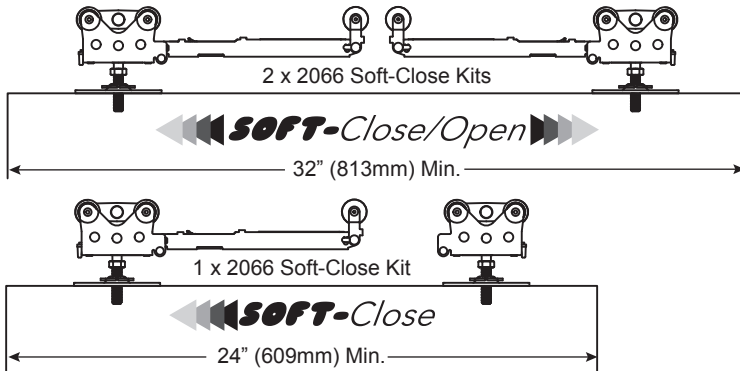
2066 Soft-Close Kit

200 Single Direction Soft Operation

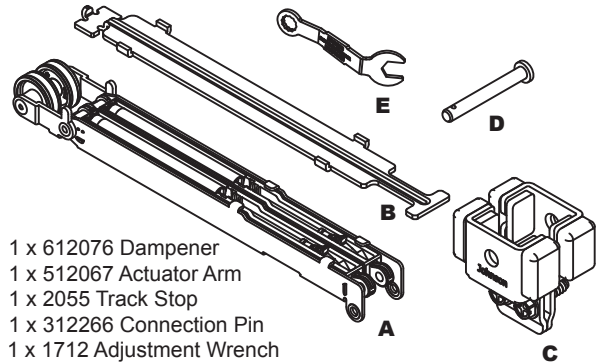


### Installation Requirements

330lbs. (150kg) max. per door



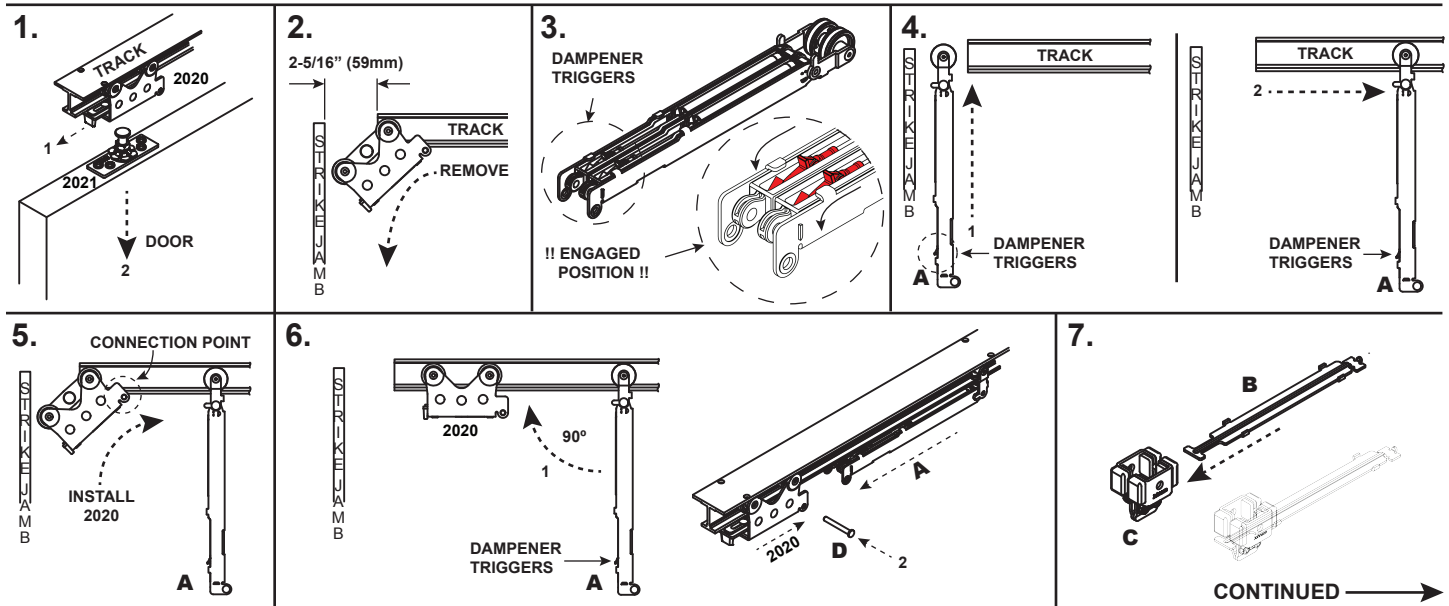
### Included Components

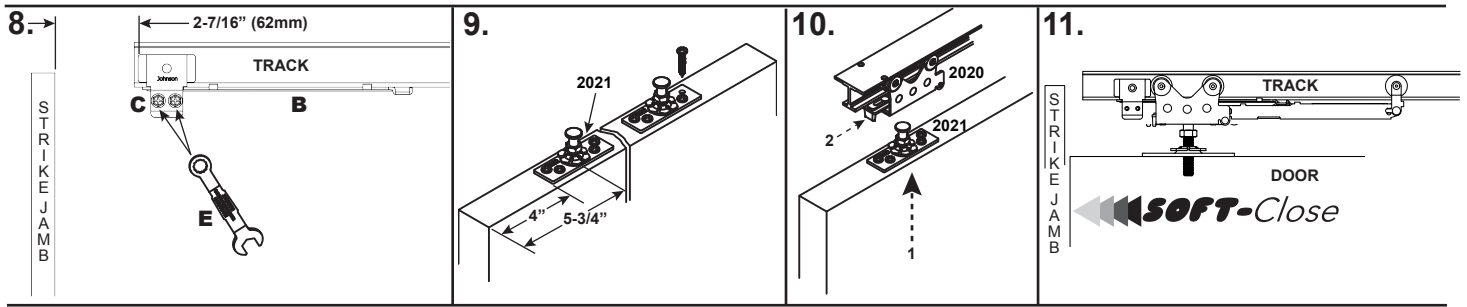


- (A) 1 x 612076 Dampener
- (B) 1 x 512067 Actuator Arm
- (C) 1 x 2055 Track Stop
- (D) 1 x 312266 Connection Pin
- (E) 1 x 1712 Adjustment Wrench

### Soft-Close Operation (door soft operates against strike jamb):

1. If door is already installed, disconnect 2020 hangers from 2021 door plates and remove door.
2. Remove 2020 hanger closest to strike jamb from track.
3. Set dampener triggers to engaged position **BEFORE** installing into track. **FAILURE TO FOLLOW THIS STEP CAN RESULT IN COMPONENT DAMAGE.**
4. Install dampener **A** into track(1), dampener triggers towards strike jamb then slide dampener towards center of track(2).
5. Reinstall 2020 hanger into track with connection points towards dampener **A**.
6. Connect 2020 hanger to dampener **A** with connection pin **D**.
7. Insert actuator arm **B** into track stop **C**.
8. Insert track stop **C** with actuator arm **B** into track and position 2-7/16" (62mm) from strike jamb. Tighten track stop **C** to track with adjustment wrench **E**.
9. Attach 2021 door plate 4" (102mm) from edge of door to edge of plate.
10. Reconnect 2020 Hanger to 2021 door plate. Installation complete.
11. Test operation.. Slowly close door, ensuring door contacts strike jamb. If not, slide door away and loosen track stop **C** screws and reposition until door contacts strike jamb. Once confirmed, begin using door normally.





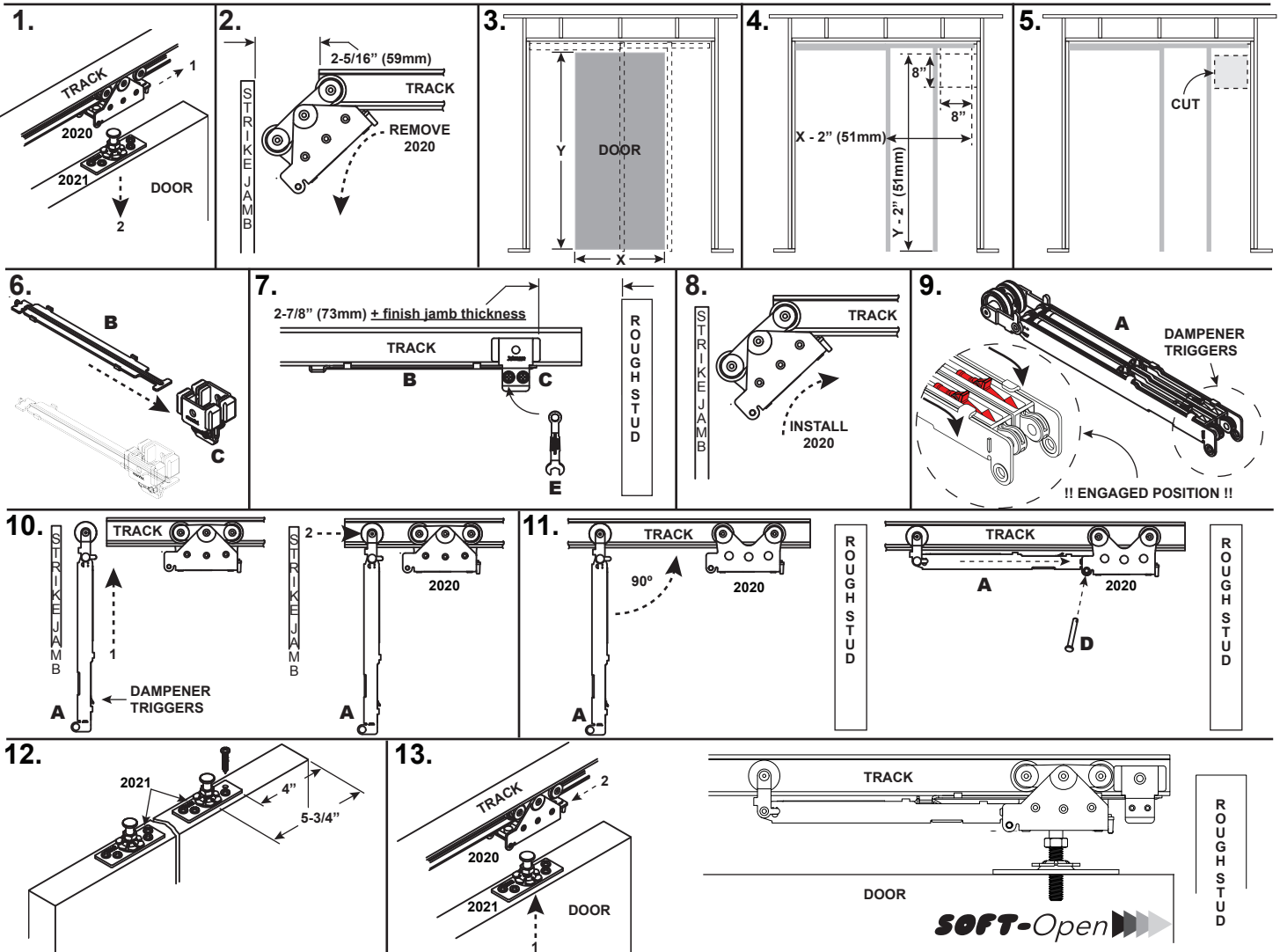
**Soft Open Operation** (door soft operates into pocket):

**Existing Installation** (skip steps 1 - 5 if new installation)

1. Disconnect 2020 door hangers from 2021 door plates(1) and remove door from pocket(2).
2. Remove 2020 hanger from track.
3. Measure door width and height
4. From pocket opening back, measure door width minus 2" (51mm), make vertical mark. From this mark measure 8" towards opening and make vertical mark. From finished floor, measure up door height minus 2" (51mm) and make horizontal mark, from this mark measure 8" down and make horizontal mark.
5. Cut square in wall to access track.

**New Installation**

6. Insert actuator arm **B** into track stop **C**.
7. Insert track stop **C** with actuator arm **B** into track and position 2-7/8" (73mm) + FINISH JAMB THICKNESS from rough stud then tighten track stop **C** to track with adjustment wrench **E**.
8. Reinstall 2020 hanger
9. Set dampener triggers to engaged position **BEFORE** installing into track. **FAILURE TO FOLLOW THIS STEP CAN RESULT IN COMPONENT DAMAGE.**
10. Insert dampener **A** into track(1), dampener triggers away from strike jamb and slide towards 2020 hanger(2).
11. Connect to 2020 hanger to dampener **A** with connection pin **D**.
12. Attach 2021 Door Plate 4" (102mm) from edge of door.
13. Connect 2020 hanger to 2021 door plate. Installation complete, test operation.



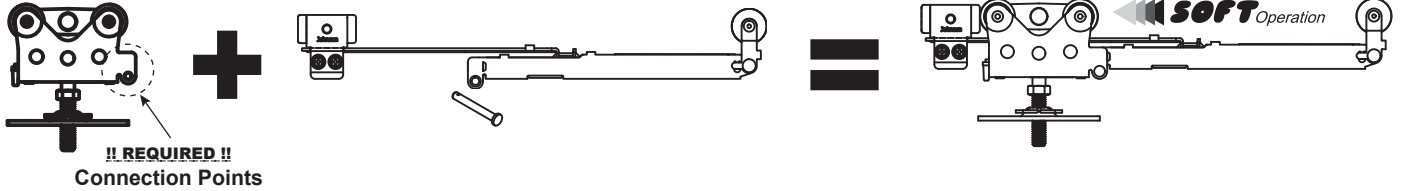
# INSTRUCTIONS

## 2066 SINGLE DIRECTION SOFT-CLOSE KIT FOR 200 SERIES SLIDING/WALL MOUNT DOOR HARDWARE

2020 Door Hanger  
**NOT INCLUDED**

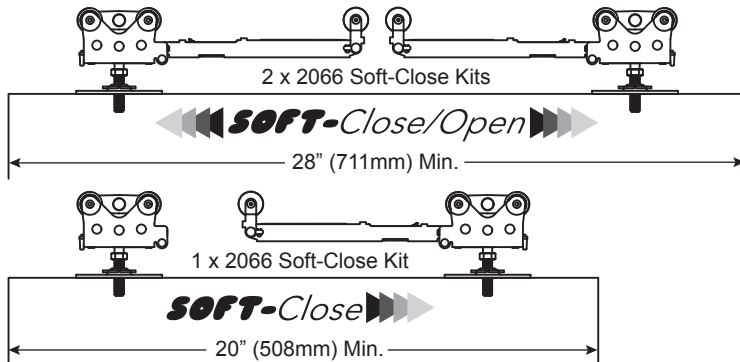
2066 Soft-Close Kit

200 Single Direction Soft Operation

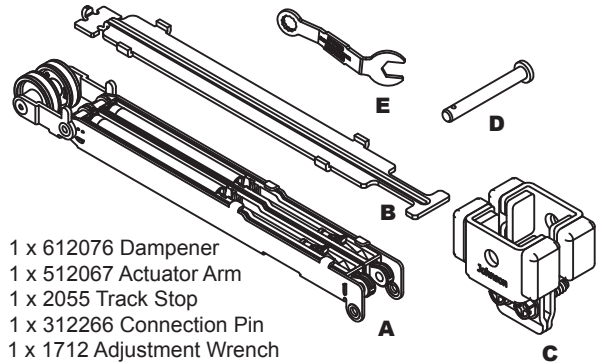


### Installation Requirements

330lbs. (150kg) max. per door



### Included Components



### Single direction Soft-Operation **←←SOFT-Operation OR SOFT-Operation→→** (door soft operates in a single direction):

- If track is already installed, disconnect 2020 hangers from 2021 door plates(1) and remove door(2).
- Remove 2020 hanger from track. If 2020 hangers cannot be removed through end of track, take track down.
- Set dampener triggers to engaged position **BEFORE** installing into track. **FAILURE TO FOLLOW THIS STEP CAN RESULT IN COMPONENT DAMAGE.**
- Install dampener **A** into track(1), dampener triggers towards finish jamb in desired soft operation direction then slide dampener towards center of track(2).
- Reinstall 2020 hangers into track with connection points towards dampener **A**.
- Connect 2020 hangers to dampeners **A** with connection pins **D**.
- Insert actuator arms **B** into track stops **C**.
- Insert track stops **C** with actuator arms **B** into track and position 3/16" (4.8mm) from finish jamb. Tighten track stops **C** to track with adjustment wrench **E**.
- Attach 2021 door plate 1-3/4" (44mm) from edge of door to edge of plate.
- Reconnect 2020 Hanger to 2021 door plate. Installation complete.
- Test operation. Slowly close door, ensuring door contacts strike jamb. If not, slide door away and loosen track stop **C** screws and reposition until door contacts strike jamb. Once confirmed, begin using door normally.

