



INSTRUCTIONS

FOR USE WITH
100PD/1500/1560/1562/2710
POCKET DOOR HARDWARE
AND
100SD/134F/138F/2610F
SLIDING DOOR HARDWARE

1060 SOFT CLOSE

www.johnsonhardware.com

100PD/1500/1560/1562/2710 Pocket Door Instructions:

Instructions are for installing the 1060 Soft Close in a Pocket Door Frame using JOHNSON 100 Series Track.

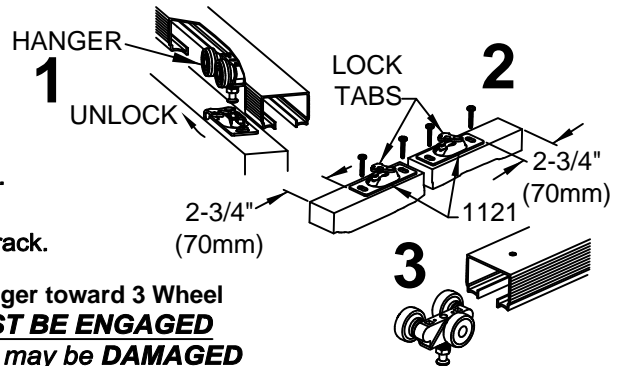
Minimum Door Thickness 1" (25mm)

Soft Close *or* Soft Open only, Minimum Door Width 24" (609mm).

Soft Close *and* Soft Open, Minimum Door Width is 28" (711mm).

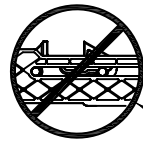
Following steps are for soft close.

- 1 IF FRAME is already installed, disconnect Hangers from Door Plates and remove door. Remove both Hangers from track-Remove Door Plates from door.
- 2 ATTACH 1121 Door Plates 2-3/4" (70mm) from door edge.
- 3 INSERT 1125 Ball Bearing Hanger Wheel assembly into Track.



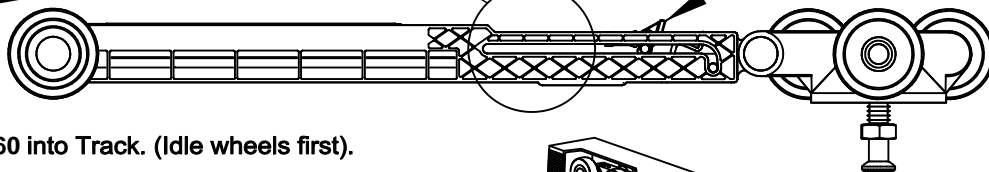
- 4 Engage Soft Close Dampener by pushing Dampener trigger toward 3 Wheel Roller. ***This step is very important. DAMPENER MUST BE ENGAGED or soft close will not work, 1060 Soft Close Dampener may be DAMAGED if installed incorrectly. Door will have to be removed and installation of 1060 will have to begin again.***

**IMPORTANT
MUST BE ENGAGED**

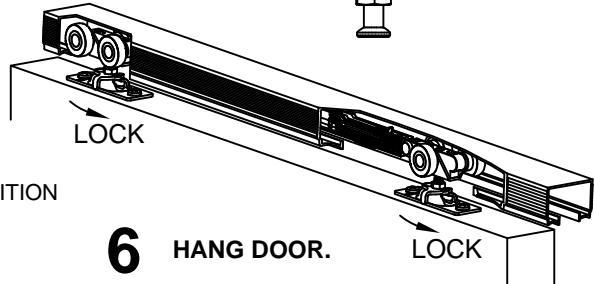
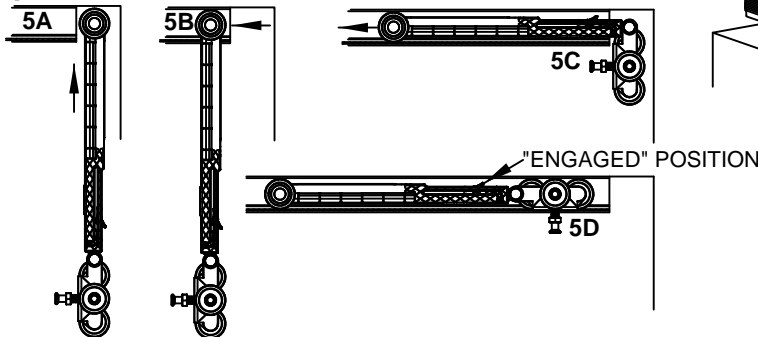


NO

SHOWN IN "ENGAGED" POSITION

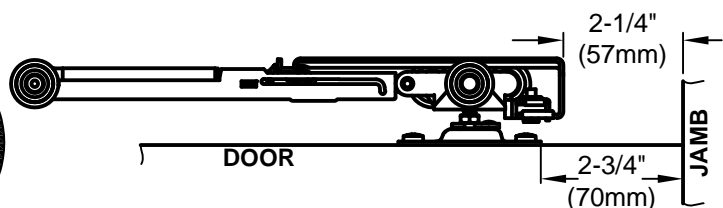
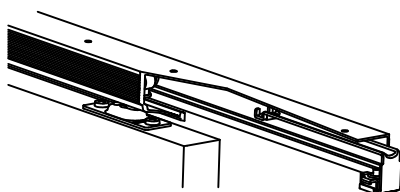


- 5 INSERT 1060 into Track. (Idle wheels first).



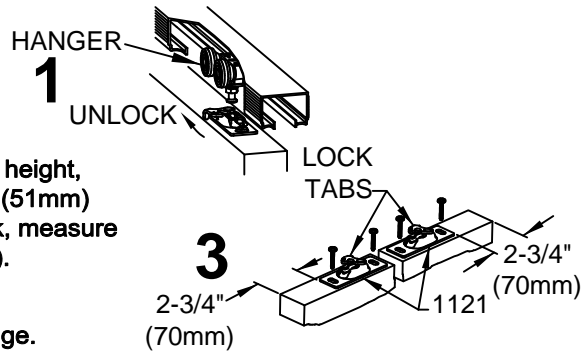
- 7 SLIDE door away from end of track (check to make sure all track screws are flat against track) and install 1060 Actuator Arm into track, with back of Actuator Arm 2-1/4" (57mm) from Jamb.

HAND TIGHTEN (do not use power drill) Actuator Arm on track Check to make sure Arm stayed straight in track. Slowly close door, checking to make sure door touches Jamb, if not. Slide door away from Jamb and readjust Actuator Arm. Slowly close door again, checking to make sure soft close is working properly. Once confirmed, being using door normally.



Following steps are for soft open.

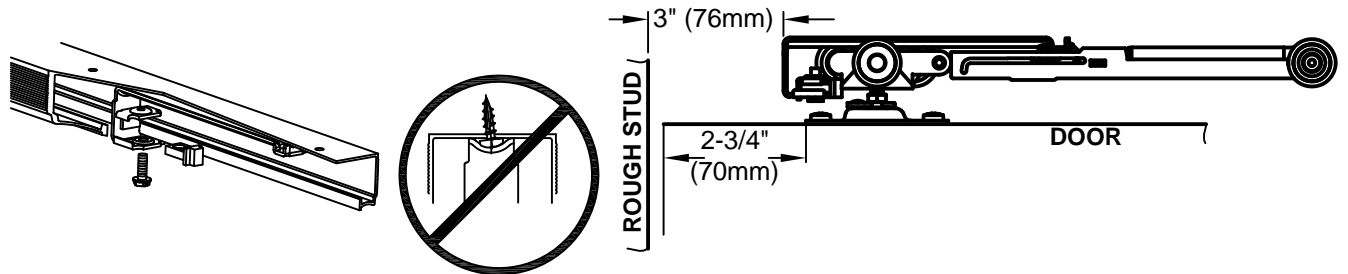
1 IF FRAME is already installed, disconnect Hangers from Door Plates and remove door. Remove both Hangers from track-Remove Door Plates from door.



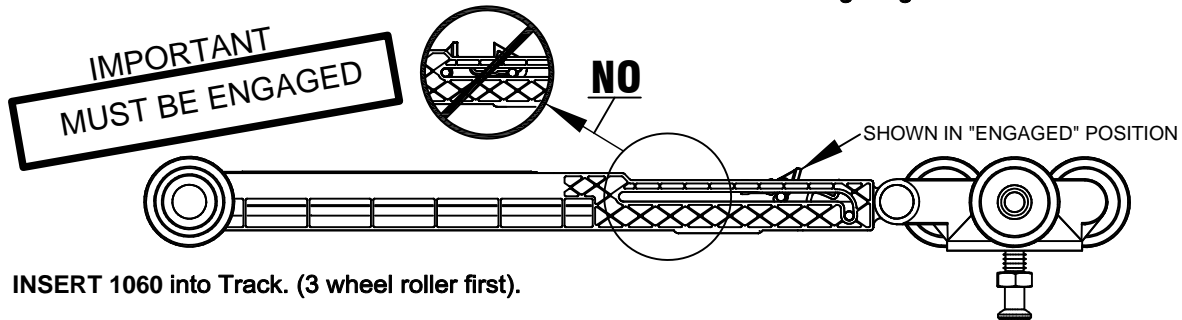
2 CUT ACCESS HOLE by measuring door width and door height, then on pocket wall, measure over door width minus 2" (51mm) and door height minus 2" (51mm). Then from that mark, measure down 8" (203mm) and over toward opening 8" (203mm). Cut square in wall to access track.

3 ATTACH 1121 Door Plates 2-3/4" (70mm) from door edge.

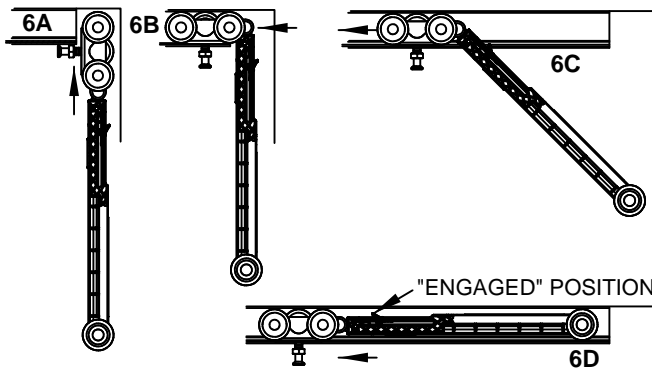
4 CHECK to make sure all track screws are flat against track. DISASSEMBLE ACTUATOR ARM, (with backside of arm facing pocket), insert arm, bumper and lock nut into track and reassemble. Slide assembly into pocket until backside of Actuator Arm is 2-1/4" (57mm) plus the finish Split Jamb thickness from the rough stud. Example 2-1/4" (57mm) + 3/4" (19mm) Finish Jamb = 3" (76mm). Hand tighten Actuator Arm (do not use power drill). Check to make sure Arm remains straight in track.



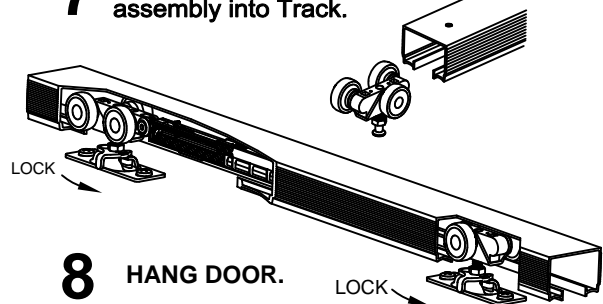
5 Engage Soft Close Dampener by pushing Dampener trigger toward 3 wheel roller. **This step is very important. DAMPENER MUST BE ENGAGED** or soft close will not work, 1060 Soft Close Dampener may be **DAMAGED** if installed incorrectly. Door will have to be removed and installation of 1060 will have to begin again.



6 INSERT 1060 into Track. (3 wheel roller first).



7 INSERT 1125 Ball Bearing Hanger Wheel assembly into Track.



8 HANG DOOR.



9 SLOWLY slide door into pocket, checking to make sure door opens flush with Split Jamb, if not, slide door out of pocket and readjust Actuator Arm. Slowly open door again, checking to make sure soft close is working properly. Once confirmed, being using door normally.

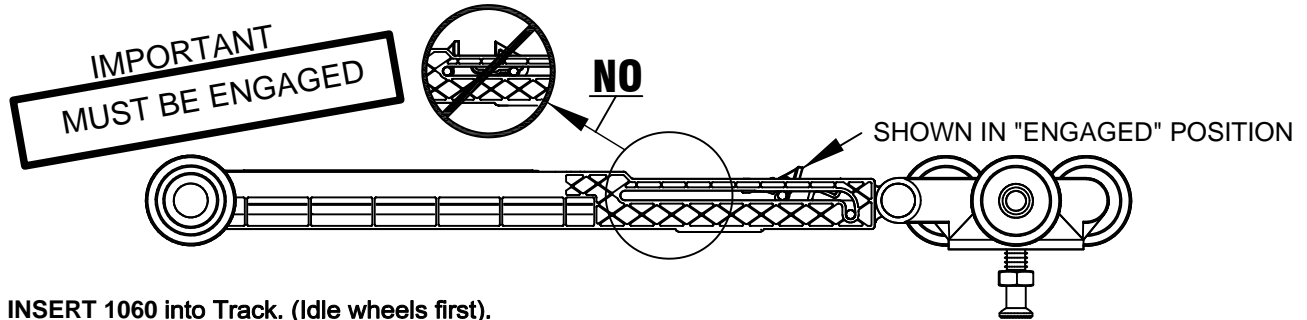
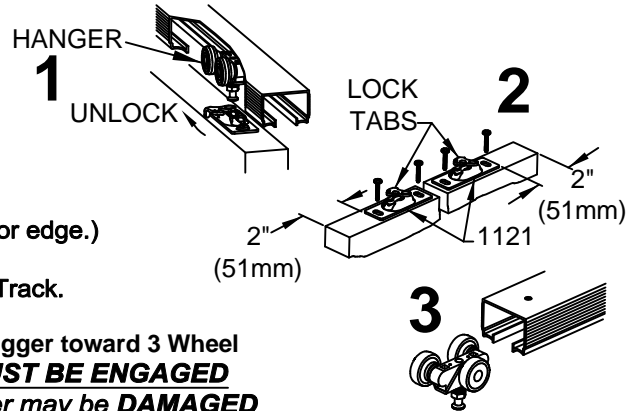
10 PATCH the wall.

100SD/134F/138F/2610F Pocket Door Instructions:

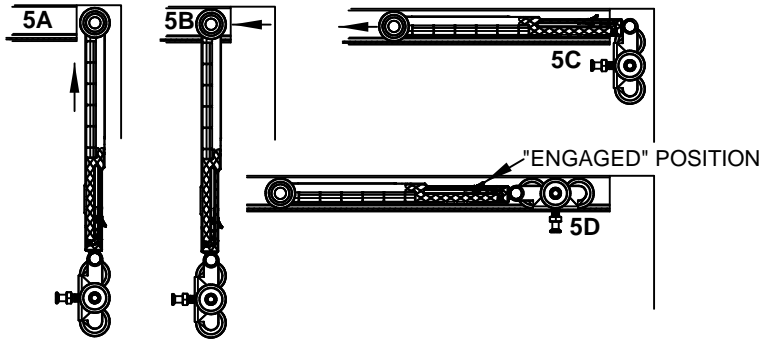
Minimum Door Thickness 1" (25mm)
 Soft Close or Soft Open only, Minimum Door Width 18" (457mm).
 Soft Close and Soft Open, Minimum Door Width is 24" (610mm).

Following steps are for soft close.

- 1** IF TRACK is already installed disconnect Hangers from Door Plates and remove door. If 1060 cannot be inserted though end of track, take track down. Remove Hangers from track-Remove Door Plates from door.
- 2** ATTACH 1121 Door Plates 2" (51mm) from door edge. (18-24" Door: Attach Door Plates 1/2" (12.5mm) from door edge.)
- 3** INSERT 1125 Ball Bearing Hanger Wheel assembly into Track.
- 4** Engage Soft Close Dampener by pushing Dampener trigger toward 3 Wheel Roller. **This step is very important. DAMPENER MUST BE ENGAGED or soft close will not work, 1060 Soft Close Dampener may be DAMAGED if installed incorrectly. Door will have to be removed and installation of 1060 will have to begin again.**

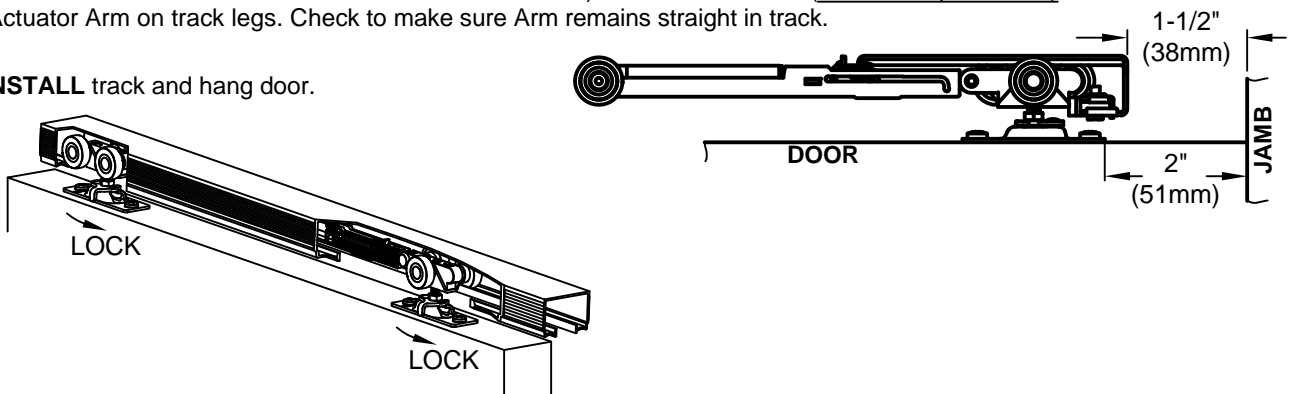


- 5** INSERT 1060 into Track. (Idle wheels first).



- 6** INSERT 1060 Actuator Arm into track, with back of Actuator Arm 1-1/2" (38mm) from end of track, (18-24" doors: Actuator would be flush with end of track). HAND TIGHTEN (do not use power drill) Actuator Arm on track legs. Check to make sure Arm remains straight in track.

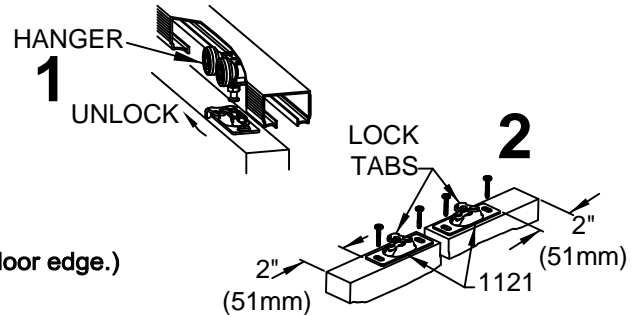
- 7** INSTALL track and hang door.



- 8** **SLOWLY** slide door toward Jamb, checking to make sure door touches Jamb, if not. Slide door away from Jamb and readjust Actuator Arm. Slowly close door again, checking to make sure soft close is working properly. Once confirmed, being using door normally.

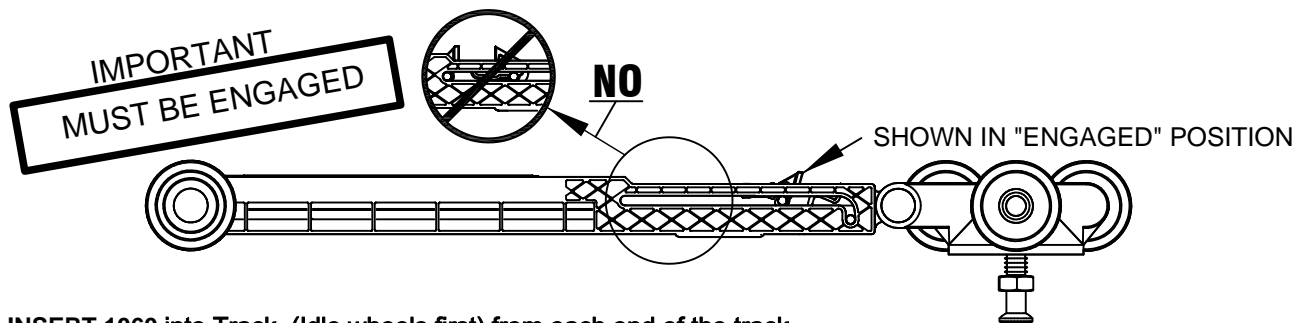
Following steps are for soft close and open.

- 1** IF TRACK is already installed disconnect Hangers from Door Plates and remove door. If 1060 cannot be inserted through end of track, take track down. Remove Hangers from track-Remove Door Plates from door.

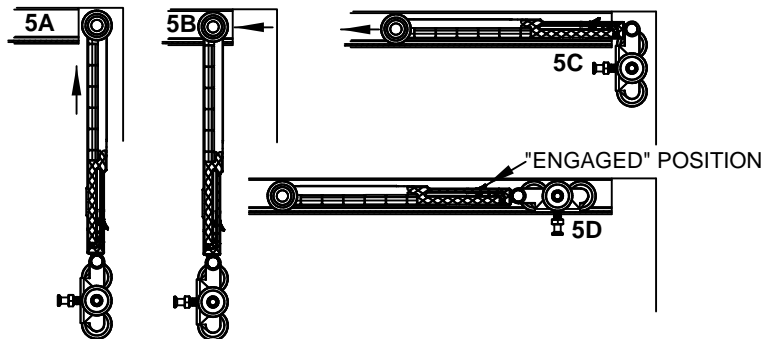


- 2** ATTACH 1121 Door Plates 2" (51mm) from door edge.
(24" Door: Attach 1121 Door Plates 1/2" (12.5mm) from door edge.)

- 3** Engage Soft Close Dampener by pushing Dampener trigger toward 3 Wheel Roller. **This step is very important. DAMPENER MUST BE ENGAGED** or soft close will not work, 1060 Soft Close Dampener may be **DAMAGED** if installed incorrectly. Door will have to be removed and installation of 1060 will have to begin again.



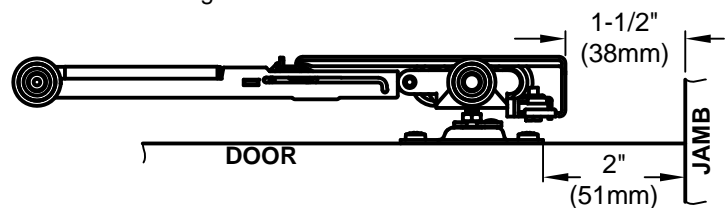
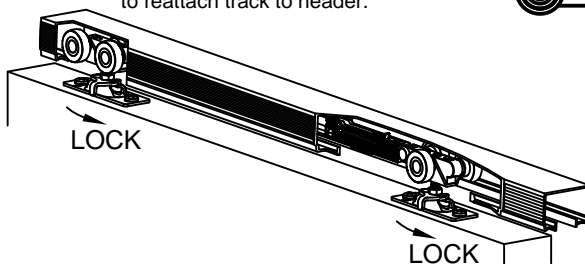
- 4** INSERT 1060 into Track. (Idle wheels first) from each end of the track.



- 5** INSERT 1060 Actuator Arm into track, with back of Actuator Arm 1-1/2" (38mm) from each end of track, (24" doors: Actuator will be flush with end of track). HAND TIGHTEN (do not use power drill) Actuator Arm on track legs. Check to make sure Arm remains straight in track.

- 6** INSTALL track and hang door.

NOTE: Actuator Arm may have to be moved to reattach track to header.



- 7** SLOWLY slide door toward Jambs, checking to make sure door touches Jamb, if not. Slide door away from Jamb and readjust Actuator Arm. Slowly close door again, checking to make sure soft close is working properly. Once confirmed, being using door normally.

PLEASE CALL 1-800-837-5664 IF PARTS ARE MISSING / DO NOT RETURN TO PLACE OF PURCHASE

IN1060SC L.E. JOHNSON PRODUCTS, INC. - 2100 STERLING AVE. - ELKHART, IN USA 46516 - (574) 293-5664 New 09/15

-----INSTRUCTION SHEET IS SUBJECT TO CHANGE-----