

# K. N. CROWDER MFG. INC.

THRESHOLDS,  
WEATHERSTRIP, ASTRAGALS,  
AUTOMATIC DOOR BOTTOMS  
& STAIR NOSINGS  
PRODUCT CATALOGUE

APRIL 2010

**KNC**

[www.kncrowder.com](http://www.kncrowder.com)



[www.kncrowder.com](http://www.kncrowder.com)

"Prices and Designs subject to change without notice"



# K. N. CROWDER MFG. INC.

www.kncrowder.com

customerservice@kncrowder.com



## K. N. CROWDER MFG. INC.

1220 Burloak Drive, Burlington, Ontario L7L 6B3  
Telephone: 905-315-9788  
Toll Free Telephone: 1-866-999-1KNC (1562)  
Fax: 905-315-8090 Toll Free Fax: 1-800-567-0123

## K. N. CROWDER INC.

210 Eighth Street South, Lewiston, New York 14092  
Telephone: 716-754-8247  
Toll Free Telephone: 1-866-999-1KNC (1562)  
Toll Free Fax: 1-800-567-0123

## GENERAL INFORMATION



Where else but in Canada with its extreme variations of climate could one better choose for the testing and use of Thresholds, Weatherstrip, Astragals, Automatic Door Bottoms, and Stair Nosings.

We at K. N. Crowder Mfg. Inc., with the help and concern of Architects and Architectural Hardware Consultants, are dedicated to supply products that meet or exceed these demands.

We have been doing this for over 60 years!



This symbol indicates products that are listed for use on metal doors and frames up to and including 1-1/2 hour locations. [The following products are also listed for use on metal doors and frames for installation in 3 hour locations: Weatherstrip W-23, W-24S, W-25. Astragal W-25]. Unless otherwise noted, products listed and labeled with this symbol have been evaluated for conformance to the following standards as a component part in a Door Assembly:

- ASTM-E152, Methods of Fire Tests of Door Assemblies
- CAN/ULC-S104, Standard Method for Fire Tests of Door Assemblies
- NFPA-252, Standard Methods of Fire Tests of Door Assemblies
- UBC-7-2-94, Uniform Building Code
- UL-10(b), Fire Tests of Door Assemblies

And are installed in accordance with the following: Code Requirements and Manufacturer's Installation Instructions. All assemblies are identified by a mark bearing the "Listed" WHI Certification Mark.

**TESTED BY INTERTEK TESTING SERVICES.**



**SOUND/LIGHT** - Products displaying this symbol are designed for use in openings where reduction of light and/or sound is necessary. Due to the variety of door and frame combinations, these products may vary in their performance. Tested ASTM E 90-90 and ASTM E-1408-91.



**AIR INFILTRATION** - Tested to ASTM E-283 and SDI 116. Products displaying this symbol have been Air Infiltration tested in accordance with the requirements of ASTM E-238 Rate of Air Leakage Through Exterior Windows, Curtain Walls & Doors and SDI 116 Test Procedure and acceptance of Rate of Air Flow Through Closed Steel Door and Frame Assemblies (Steel Door Institute). All products shown with this symbol are well below maximum leakage allowed.







**ANTI-SLIP**







**HANDICAPPED**











This Product is Listed by:  
**UNDERWRITERS LABORATORIES INC.**  
and Bears the Mark





S E R I E S	   	P A G E
<b>THRESHOLDS</b>		
CT-1		16
CT-9	*	9
CT-10	*	9
CT-11	*	9
CT-12	*	9
CT-16		16
CT-31		16
CT-32	*	9
CT-36		16
CT-39		16
CT-64	*	6
CT-65	*	6
CT-66	*	6
CT-67	*	6
CT-68	*	6
CT-69	*	6
CT-94		16
CT-95		16
CT-610	*	6
CT-611	*	6
CT-612	*	6
CT-704	*	8
CT-705	*	8
CT-706	*	8
CT-804	*	8
CT-805	*	8
CT-806	*	8
CT-807	*	8
CT-808	*	8
CT-909	*	10
CT-910	*	10
CT-911	*	10
CT-912	*	10
CT-913	*	10
CT-914	*	10
CT-915	*	10
CT-916	*	10
<b>CARPET DIVIDERS</b>		
CT-60	*	16
CT-61	*	16





S E R I E S	   	P A G E
<b>BUILDANY SIZE THRESHOLDS</b>		
CT-23	*	17
CT-22/4A	*	17
CT-100	*	17
CT-101	*	17
CT-103	*	17
CT-104	*	17
CT-106	*	17
CT-175	*	17
<b>1/4" THERMAL BREAK THRESHOLDS</b>		
CT-74	*	12
CT-75	*	12
CT-76	*	12
CT-80	*	12
CT-81	*	12
CT-83	*	12
CT-86	*	12
CT-87	*	12
<b>1/2" THERMAL BREAK THRESHOLDS</b>		
CT-406		13 & 14
CT-407		13 & 14
CT-408		13 & 14
CT-409		13 & 14
CT-40N		7 & 11
CT-40P		7 & 11
CT-40S	*	7 & 11
CT-410		13 & 14
CT-410-2		13 & 14
CT-41-1		13 & 14
CT-42-1		13 & 14
CT-43-1		13 & 14
CT-44		14
CT-44-1		13 & 14
CT-45	*	14
CT-45-1		13 & 14
CT-46	*	14
CT-47		15
CT-47-1		13
CT-47-1S		13
CT-47S		15
CT-48		15
CT-48S		15
CT-49		15
CT-49-1		13
CT-49S		15

## TABLE OF CONTENTS (CONT'D)

S E R I E S	   	P A G E
<b>STAIR NOSINGS</b>		
CT-20/3A&CT-20/3	*	18
CT-20/4&CT-20/4A	*	18
CT-20/5A&CT-20/5	*	18
CT-21/2&CT-21/2A	*	19
CT21/3A&CT-21/3	*	19
CT-21/4&CT-21/4A	*	19
CT-21/5A&CT-21/5	*	19
CT-22/34A	*	18
CT-22/138A&CT22/138	*	18
CT-22/3&CT-22/3A	*	18
CT22/4A&CT-22/4	*	17 & 18
CT-23	*	17 & 18
<b>STAIR NOSING ANCHORS</b>		
CT-27		19
CT-227		19
<b>STAINLESS STEEL PRODUCTS</b>		
CT-9SS		20
CT-10SS		20
CT-50SS	*	20 & 22
CT-52SS	*	20
W-8SS		20 & 36
W-13SS		20
W-13S-SS		20
<b>WEATHERSTRIP</b>		
W-1&W-1F		28
W-2&W-2F		28
W-3		33
W-6	*	28
W-13	*	28 & 38
W-14	*	28
W-15	*	28 & 38
W-16N	*	29
W-16P		29
W-16S	*	29
W-16V		29
W-17N		29
W-17S	*	29
W-18	*	30 & 38
W-20N		30
W-20P		30
W-20S	*	30
W-23	*	27 & 30
W-27		30
W-32N		31
W-32P		31

S E R I E S	   	P A G E
<b>WEATHERSTRIP (CONT'D)</b>		
W-32S		31
W-47	*	31
W-47S		31
W-49	*	31
W-50S	*	31
W-61	*	31
W-87P		33
W-88N		33
W-88P		33
<b>SELF ADHESIVE WEATHERSTRIP</b>		
W-21	*	32
W-66	*	32
W-22	*	32
6216	*	32
<b>KERF MOUNTED WEATHERSTRIP</b>		
W-28		33
W-29		33
W-31		33
<b>SWEEPS</b>		
W-4		26
W-11		26
W-13S	*	26
W-13S-2	*	26
W-19	*	26
W-23	*	27 & 30
W-24S	*	27
W-25S	*	27
W-26-1	*	27
W-26-2	*	27
W-26-3	*	27
W-33S	*	27
W-34S	*	27
W-35-1	*	27
W-35-2	*	27
W-35-3	*	27
W-37-1	*	27
W-38S	*	26
<b>SPRING LOADED AND ADJUSTABLE WEATHERSTRIP</b>		
W-42	*	34
W-43		34
W-44		34
W-45	*	34 & 38
W-48		34

S E R I E S	   	P A G E	
<b>SPRING LOADED AND ADJUSTABLE ASTRAGALS</b>			
W-40		35	
W-40M		35	
W-40P		35	
W-40V		35	
W-41		35	
<b>ASTRAGALS</b>			
W-5		36	
W-7	*	36	
W-8		36	
W-8P		36	
W-8S		36	
W-8SP		36	
W-8SS		20 & 36	
W-9		36	
W-25	*	36	
<b>KNC SOUND CONTROL</b>			
CT-50	*	22 & 38	
CT-51		22 & 38	
CT-70	*	*	37
CT-71			37
CT-72	*	*	37
W-13	*		28 & 38
W-15	*		28 & 38
W-18	*		30 & 38
W-45	*		34 & 38

S E R I E S	   	P A G E
<b>AUTOMATIC DOOR BOTTOMS</b>		
INTRODUCTION		21
CT-50	*	22 & 38
CT-50F		22
CT-50SS	*	20 & 22
CT-51		22 & 38
CT-51F		22
CT-52	*	23
CT-52S	*	23
CT-52SS	*	20
CT-52B		23
CT-53		23
CT-53S		23
CT-53B		23
CT-53F		23
CT-54	*	24
CT-54N		24
<b>DOORSHOES</b>		
CT-55		25
CT-730		24
CT-745		25
CT-746		25
CT-747	*	25
CT-748	*	25
<b>INDEX</b>		
		39
<b>LIST OF AGENTS &amp; OTHER PRODUCTS BY KNC</b>		
		40

## FASTENERS

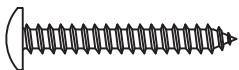
**THRESHOLDS:** ALL THRESHOLDS ARE SUPPLIED PRE-DRILLED AND COUNTER SUNK WITH 3/16" X 1-3/4" HiLo-TAPPING THREAD, GREY, PHILLIPS DRIVE, CONCRETE SCREWS. (5/32" PRE-DRILL REQUIRED).



**WEATHERSTRIP:** WHERE APPLICABLE, WEATHERSTRIP SEALS ARE SUPPLIED PUNCHED WITH OBROUND HOLES FOR ADJUSTMENT AND #8 X 3/4" SELF-DRILLING PAN HEAD, ROBERTSON DRIVE, TEK SCREWS.



**OPTIONAL:** OTHER FASTENERS, IN STANDARD ZINC PLATED, STAINLESS STEEL & TORX TAMPERPROOF SCREWS ARE AVAILABLE. SEE BELOW FOR DETAILS. CONTACT CUSTOMER SERVICE FOR PRICING & AVAILABILITY



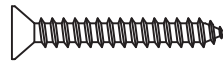
#10 x 1-1/2" Truss Head, Robertson Drive, Type A Screw



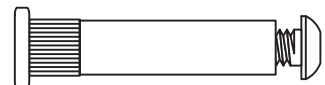
#8 x 1" Pan Head, Robertson Drive, Self-Drilling Tek Screw



#10 x 1" Pan Head, Robertson Drive, Self-Drilling Tek Screw



#10 x 1-1/2" Flat Head, Robertson Drive, Type A Screw



1/4"-20 x 3/4" Button Head Socket Cap Screw with Security Sleeve (For Astragals & W-19 Door Sweep only)

# THRESHOLDS

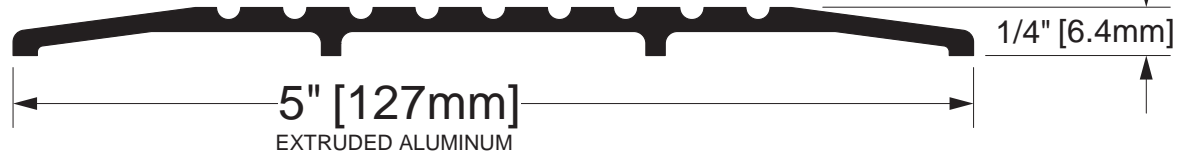


Welding is available upon request.

**CT-64**



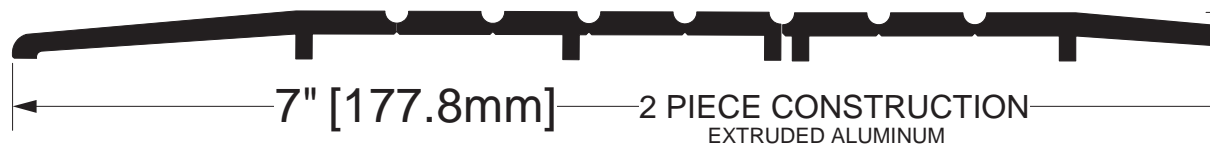
**CT-65**



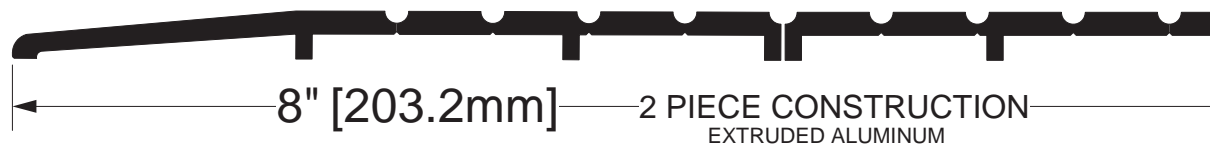
**CT-66**



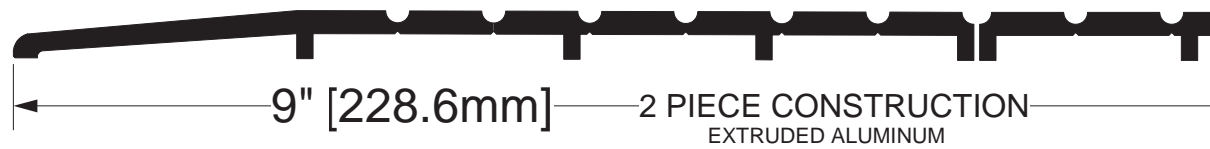
**CT-67**



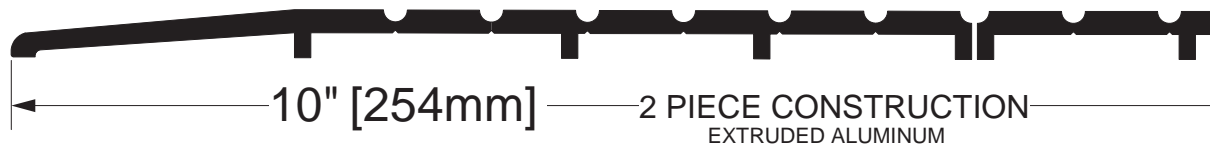
**CT-68**



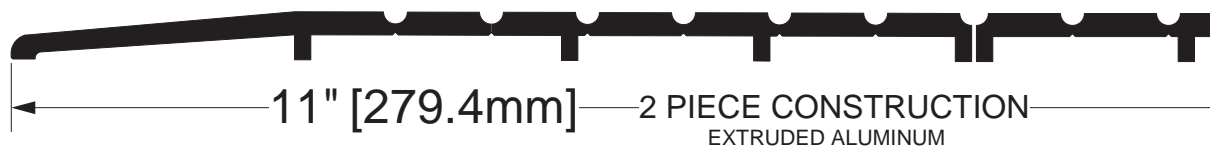
**CT-69**



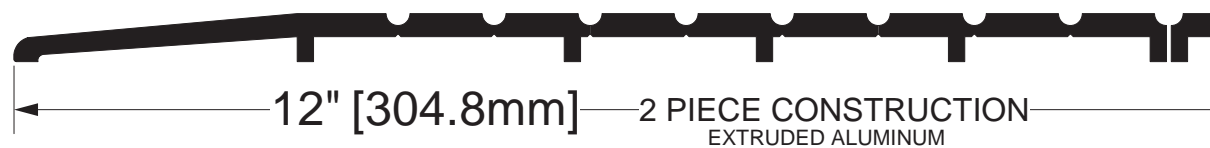
**CT-610**

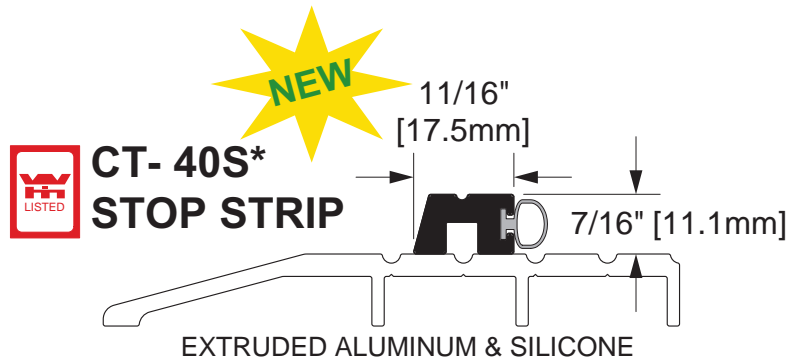
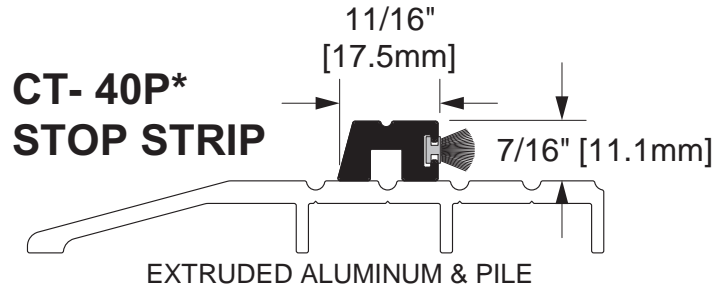
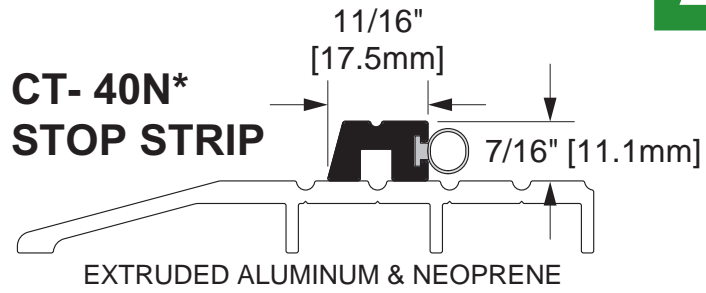


**CT-611**

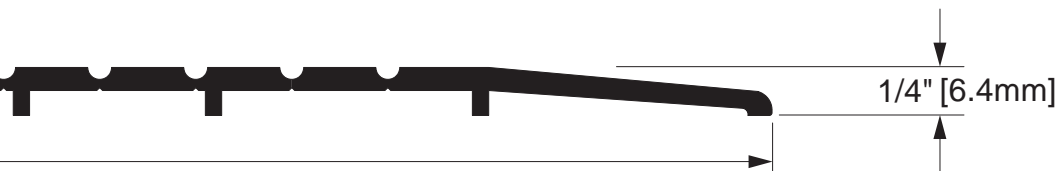
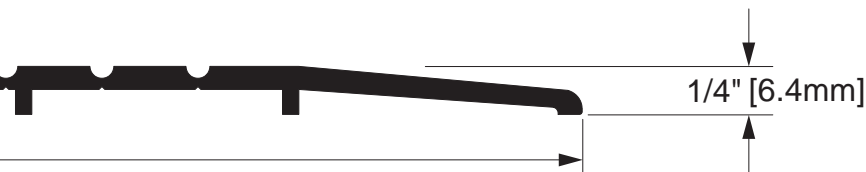
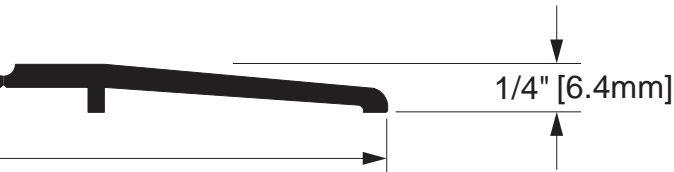
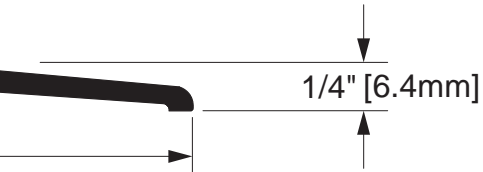
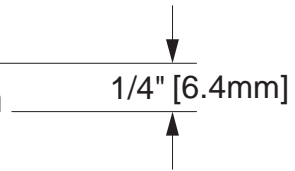


**CT-612**





\* The following products are not

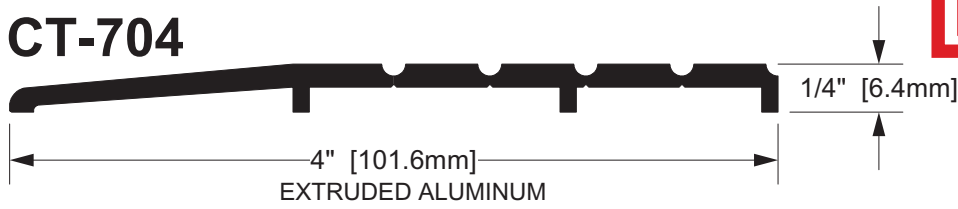


# THRESHOLDS

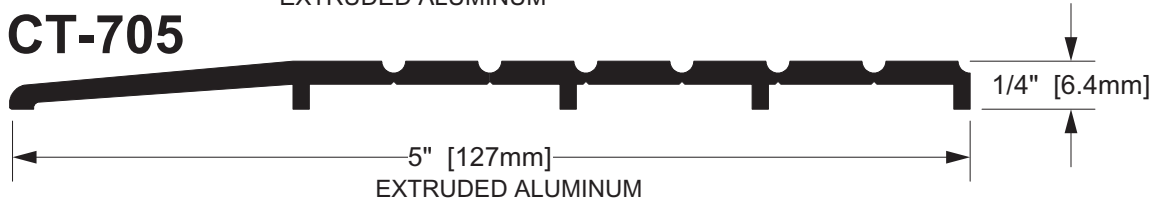


ALL PRODUCTS  
ON THIS PAGE

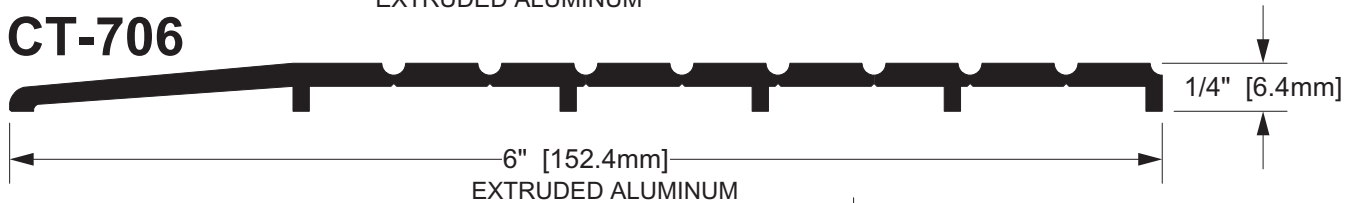
**CT-704**



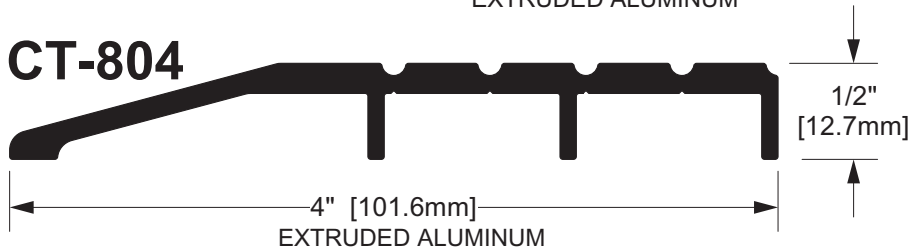
**CT-705**



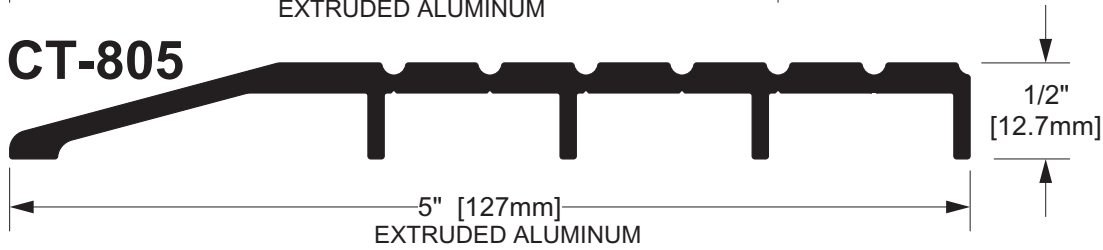
**CT-706**



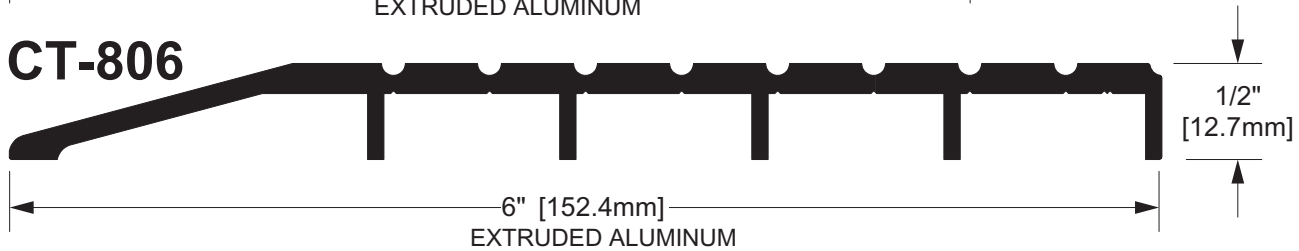
**CT-804**



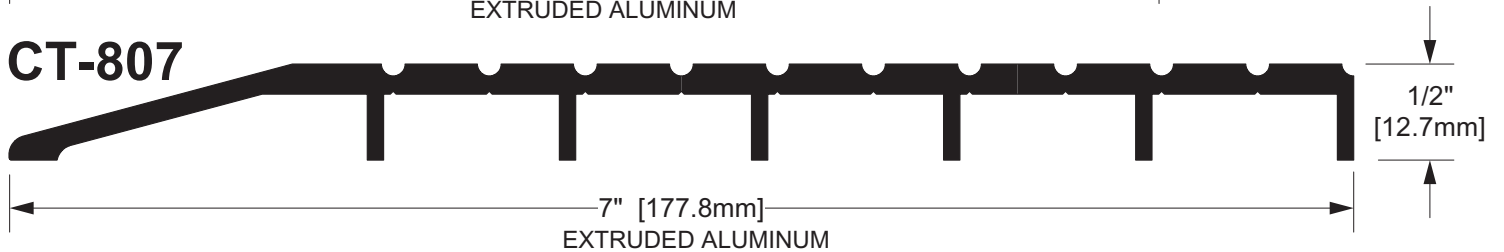
**CT-805**



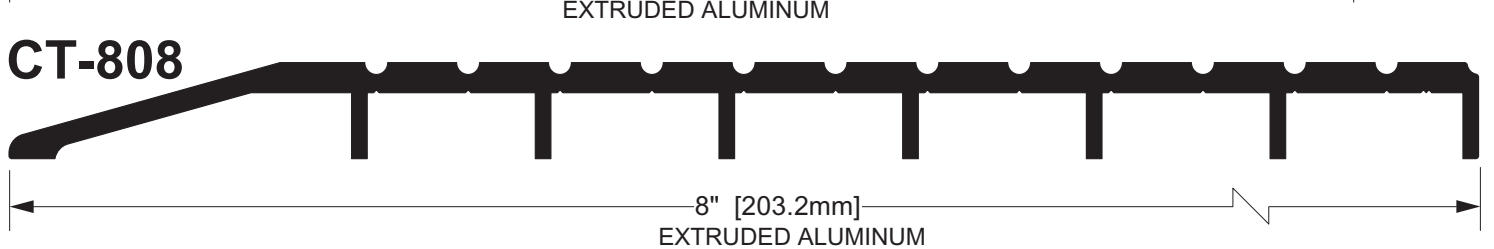
**CT-806**



**CT-807**



**CT-808**

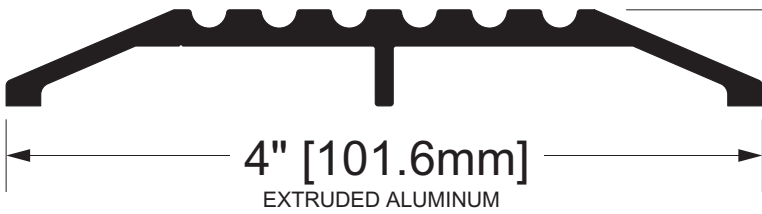




# THRESHOLDS

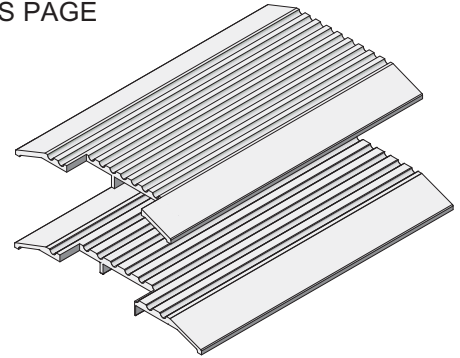
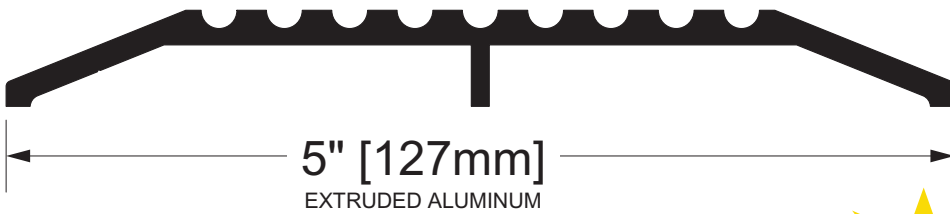


## CT-9



1/2" [12.7mm]  
TYPICAL ALL THRESHOLDS ON THIS PAGE

## CT-10

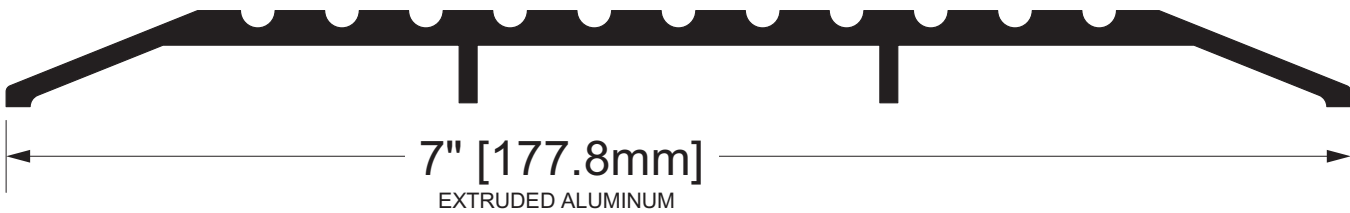


CT-10 AND CT-11 THRESHOLDS AVAILABLE NOTCHED FOR STD HOLLOW METAL DOOR FRAME. STANDARD NOTCH SIZE IS: 2-7/16" WIDE X 5/8" DEEP.

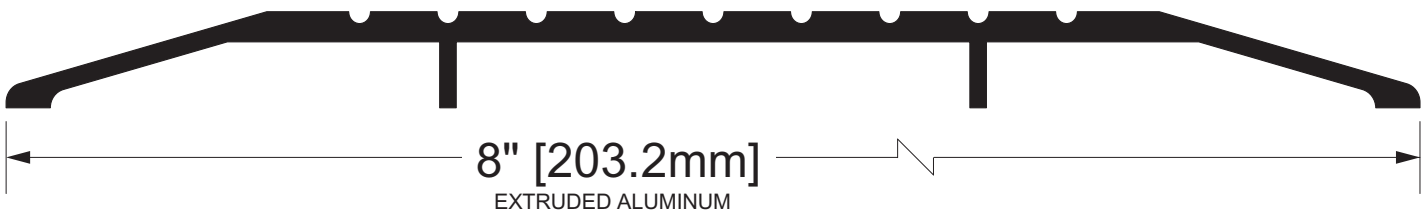
## CT-11



## CT-12



## CT-32

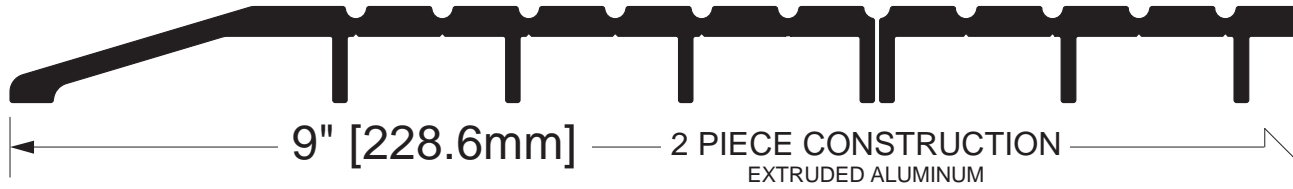


# THRESHOLDS

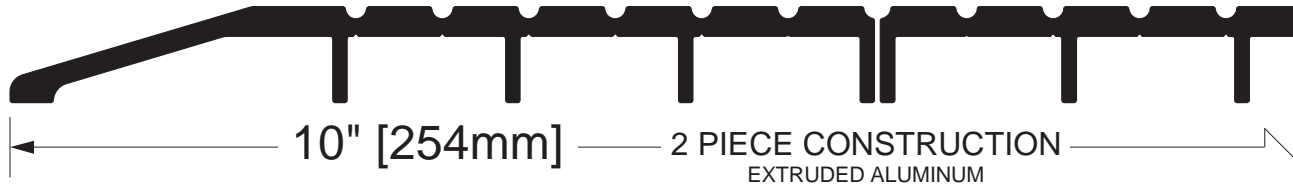


Welding is available upon request.

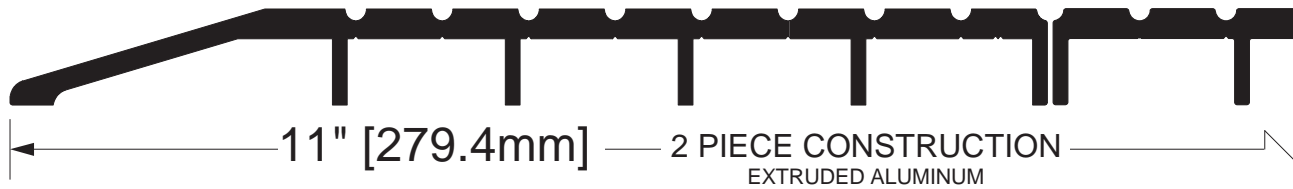
**CT-909**



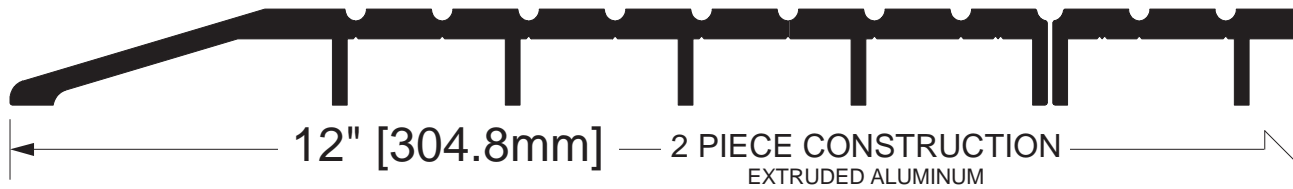
**CT-910**



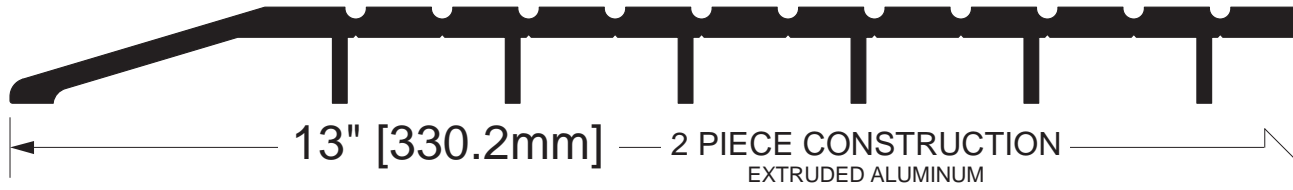
**CT-911**



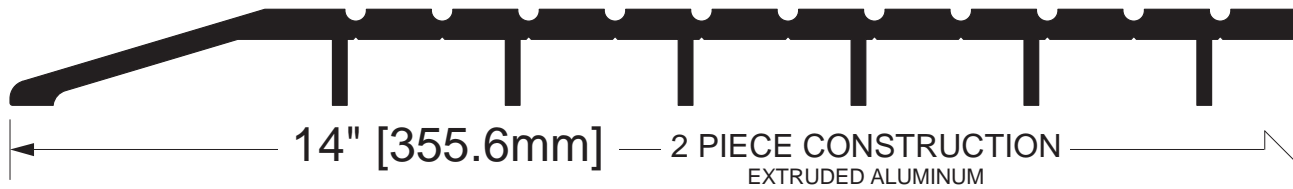
**CT-912**



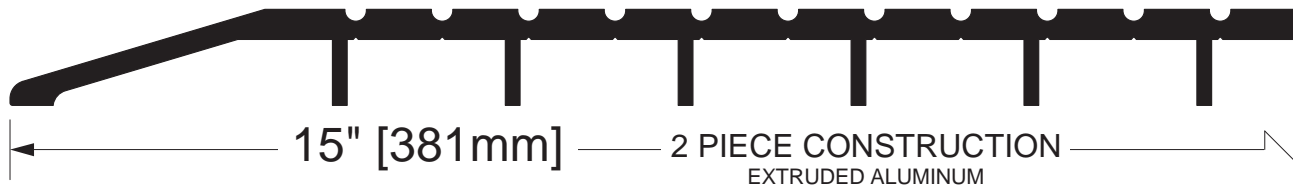
**CT-913**



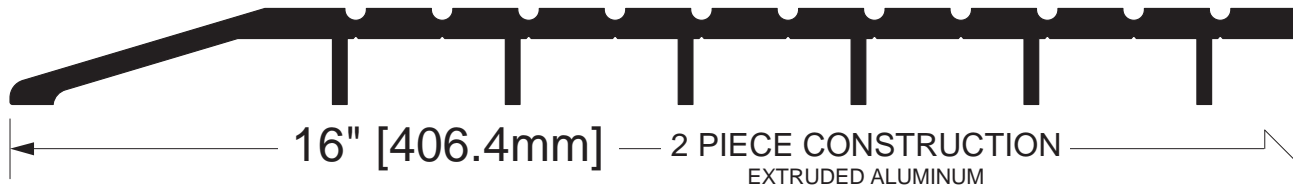
**CT-914**

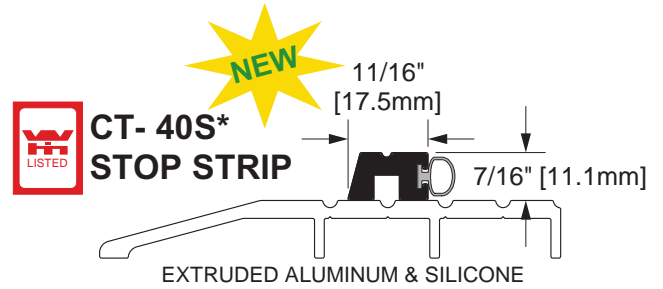
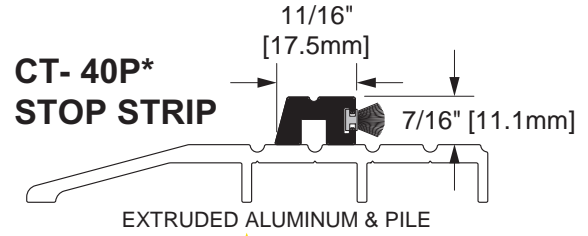
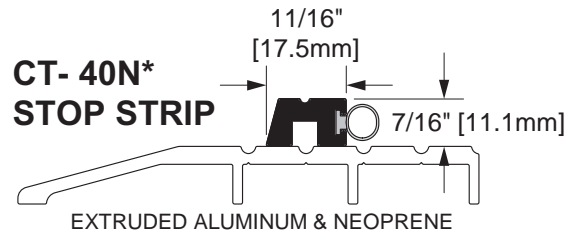
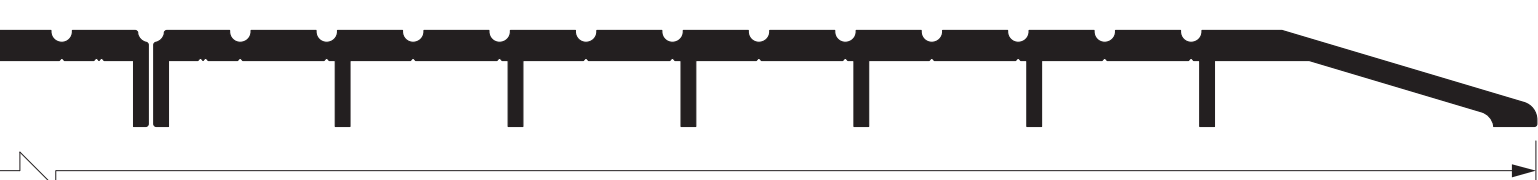
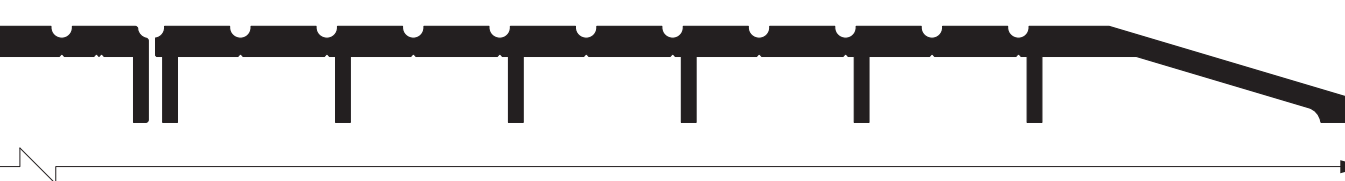
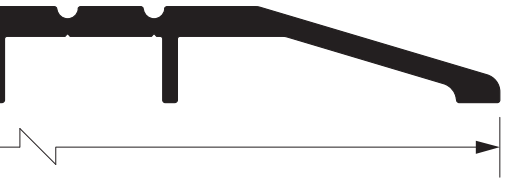
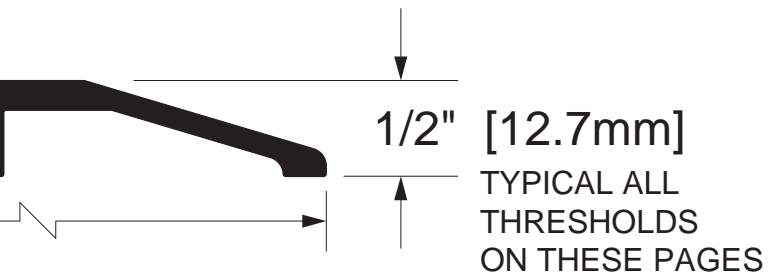


**CT-915**



**CT-916**

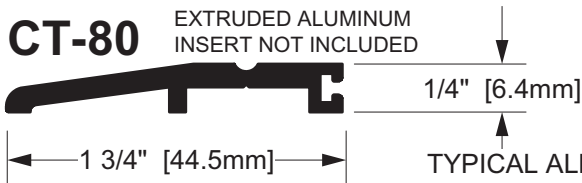




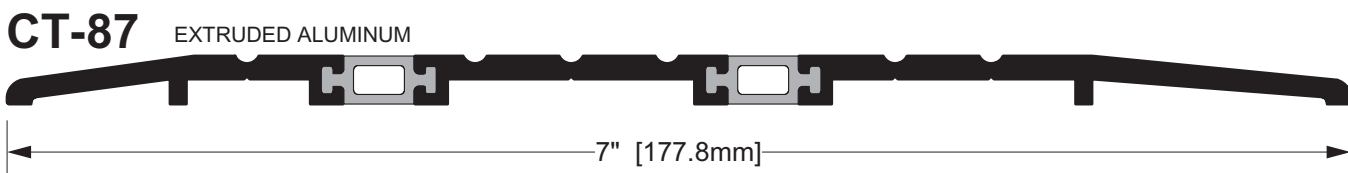
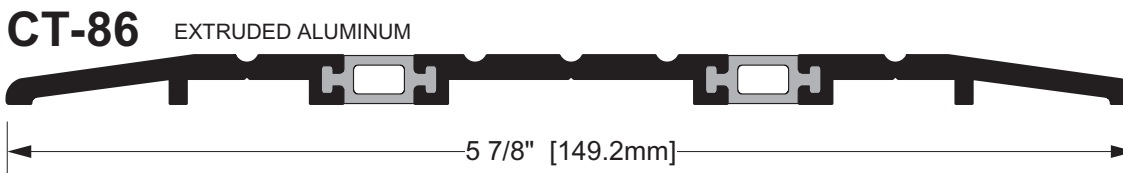
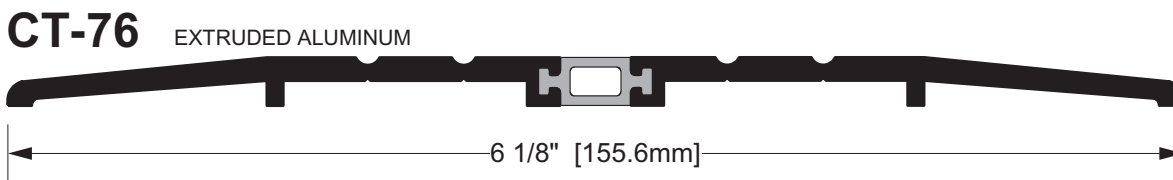
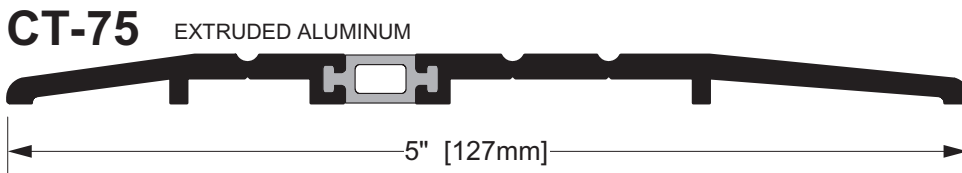
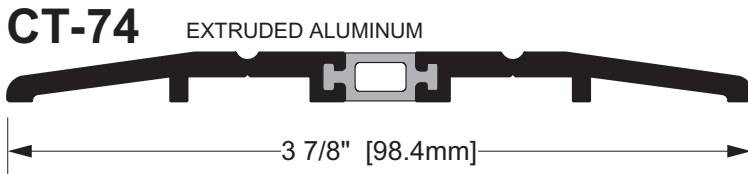
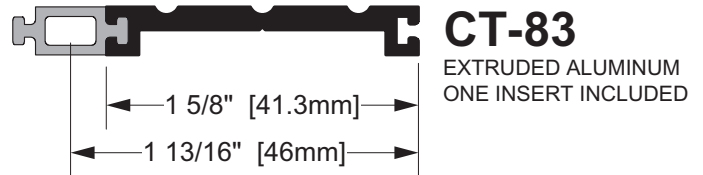
\* The following products are not



# 1/4" THERMAL BREAK THRESHOLDS



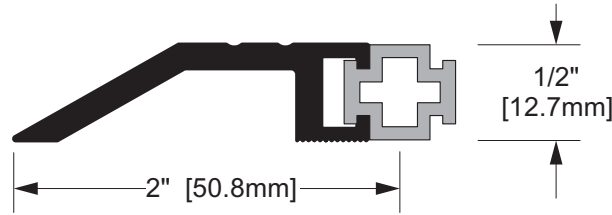
TYPICAL ALL THRESHOLDS  
THIS PAGE



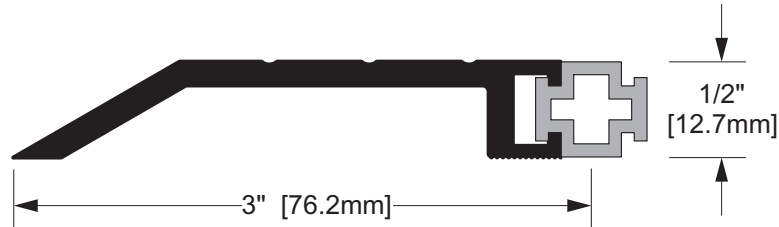
# 1/2" THERMAL BREAK THRESHOLDS



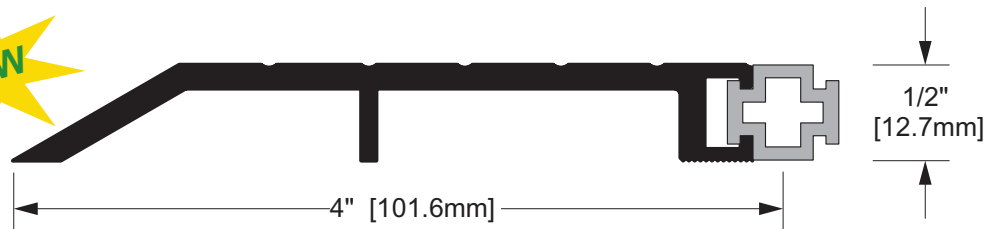
**CT-44-1**  
EXTRUDED ALUMINUM  
INSERT NOT INCLUDED



**CT-45-1**  
EXTRUDED ALUMINUM  
INSERT NOT INCLUDED



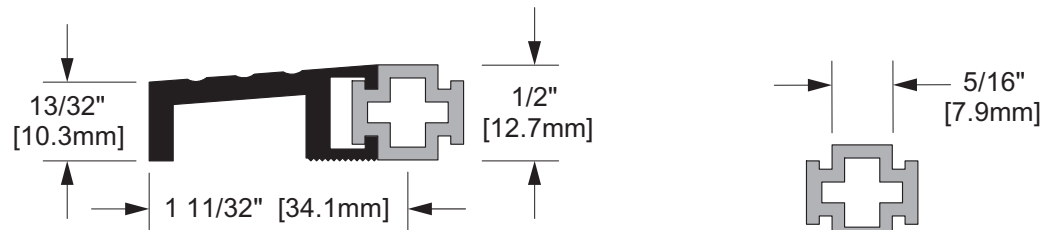
**CT-42-1**  
EXTRUDED ALUMINUM  
INSERT NOT INCLUDED



**CT-43-1**  
EXTRUDED ALUMINUM  
INSERT NOT INCLUDED

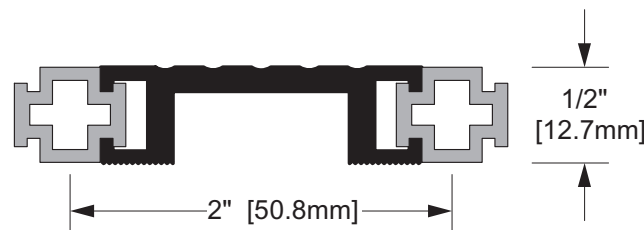


**CT-49-1**  
EXTRUDED ALUMINUM  
INSERT NOT INCLUDED



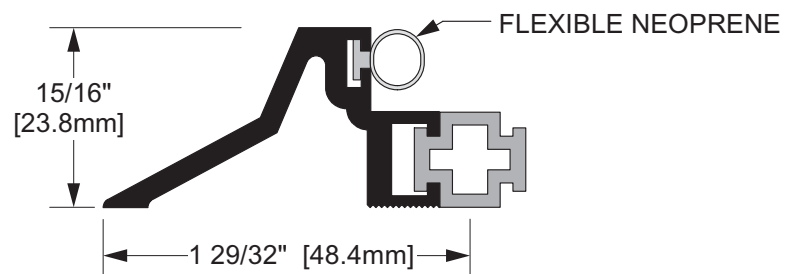
**FROST INSERT**  
RIGID P.V.C.

**CT-41-1**  
EXTRUDED ALUMINUM  
ONE INSERT INCLUDED



**CT-47-1**  
EXTRUDED ALUMINUM  
WITH FLEXIBLE NEOPRENE.  
FROST INSERT NOT INCLUDED

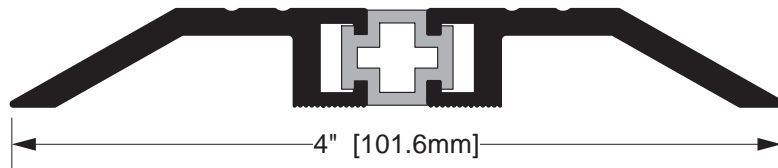
**CT-47-1S**  
EXTRUDED ALUMINUM  
WITH FLEXIBLE SILICONE.  
FROST INSERT NOT INCLUDED



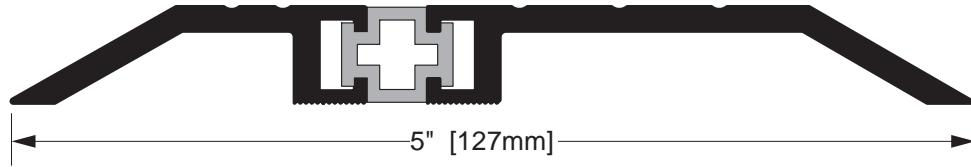
# 1/2" THERMAL BREAK THRESHOLDS



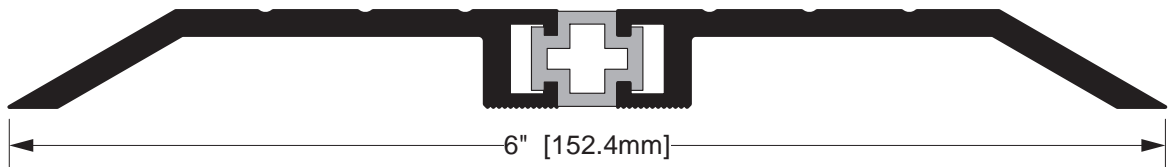
**CT-44**  
EXTRUDED ALUMINUM  
WITH RIGID P.V.C.



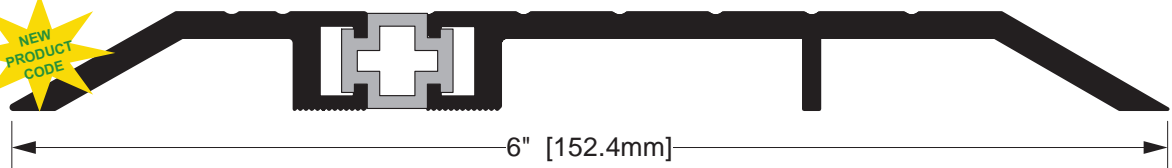
**CT-45**  
EXTRUDED ALUMINUM  
WITH RIGID P.V.C.



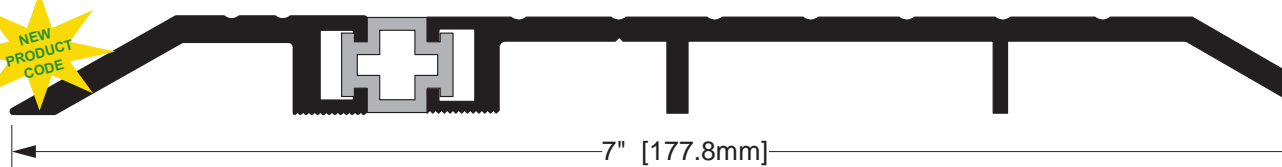
**CT-46**  
EXTRUDED ALUMINUM  
WITH RIGID P.V.C.



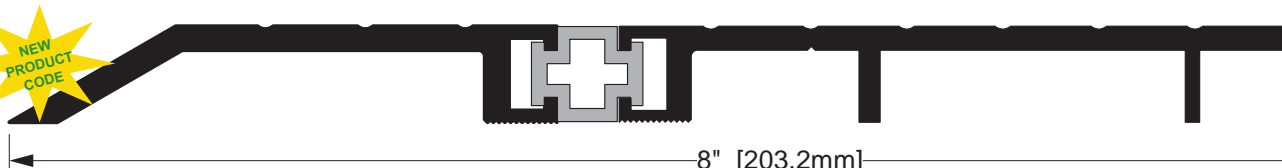
**CT-406**  
EXTRUDED ALUMINUM  
WITH RIGID P.V.C.



**CT-407**  
EXTRUDED ALUMINUM  
WITH RIGID P.V.C.



**CT-408**  
EXTRUDED ALUMINUM  
WITH RIGID P.V.C.



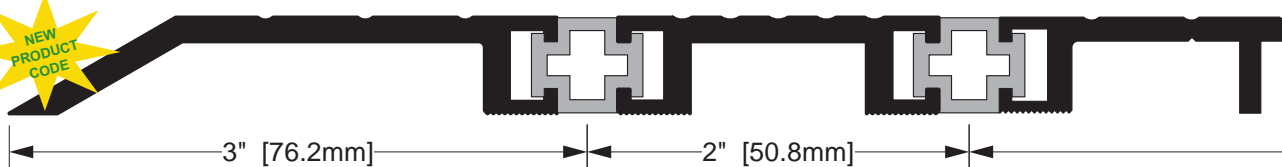
**CT-409**  
EXTRUDED ALUMINUM  
WITH RIGID P.V.C.



**CT-410**  
EXTRUDED ALUMINUM  
WITH RIGID P.V.C.



**CT-410-2**  
EXTRUDED ALUMINUM  
WITH RIGID P.V.C.



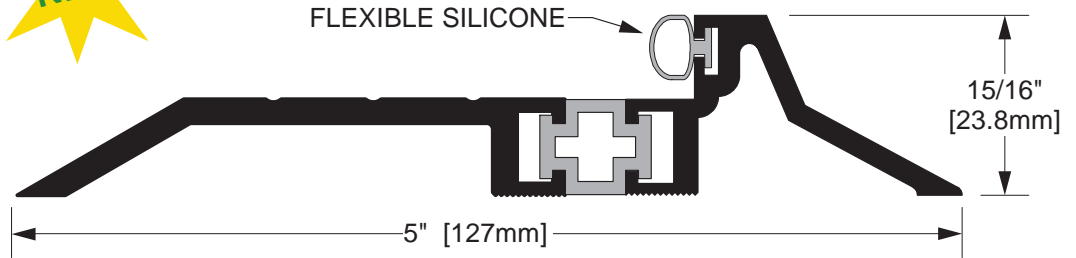
### CT-48S

EXTRUDED ALUMINUM  
WITH FLEXIBLE SILICONE  
& RIGID P.V.C. FROST INSERT



### CT-48

EXTRUDED ALUMINUM  
WITH FLEXIBLE NEOPRENE  
& RIGID P.V.C. FROST INSERT

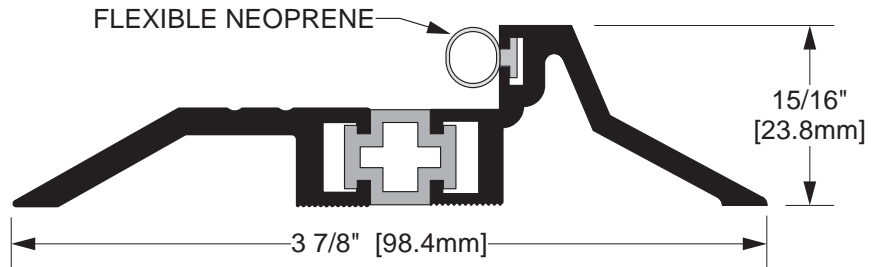


### CT-47

EXTRUDED ALUMINUM  
WITH FLEXIBLE NEOPRENE  
& RIGID P.V.C. FROST INSERT

### CT-47S

EXTRUDED ALUMINUM  
WITH FLEXIBLE SILICONE  
& RIGID P.V.C. FROST INSERT

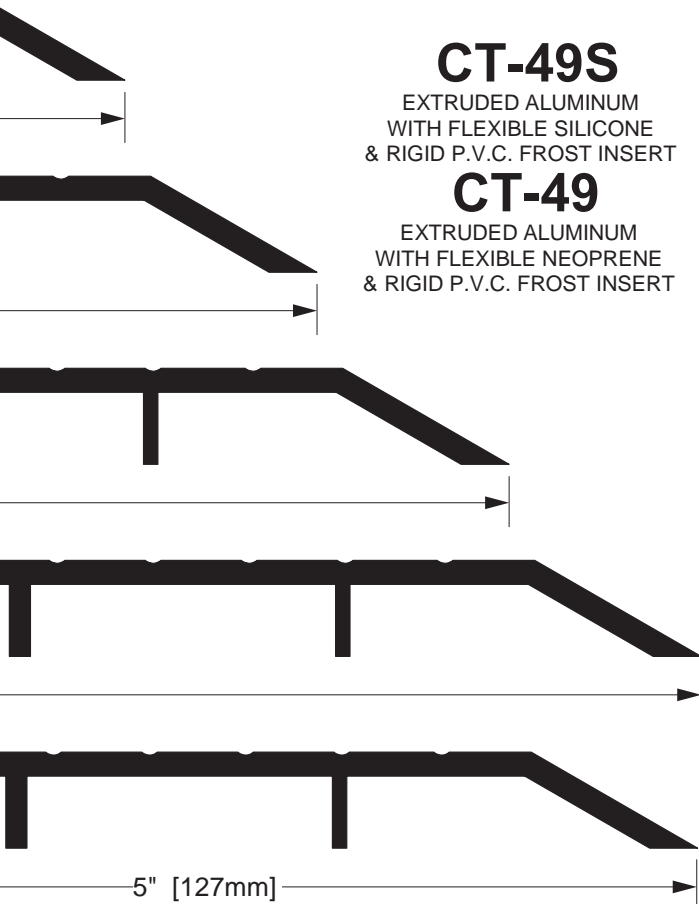
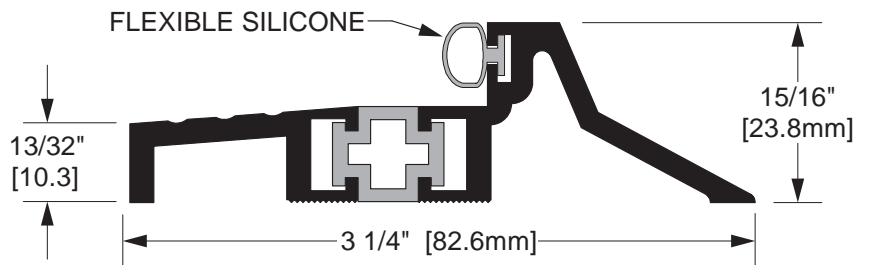


### CT-49S

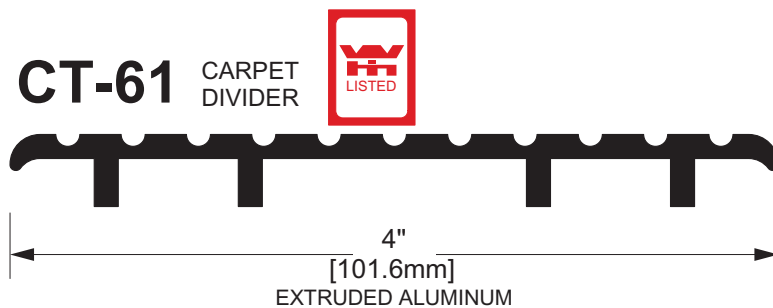
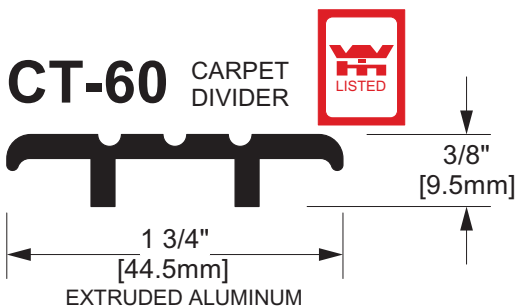
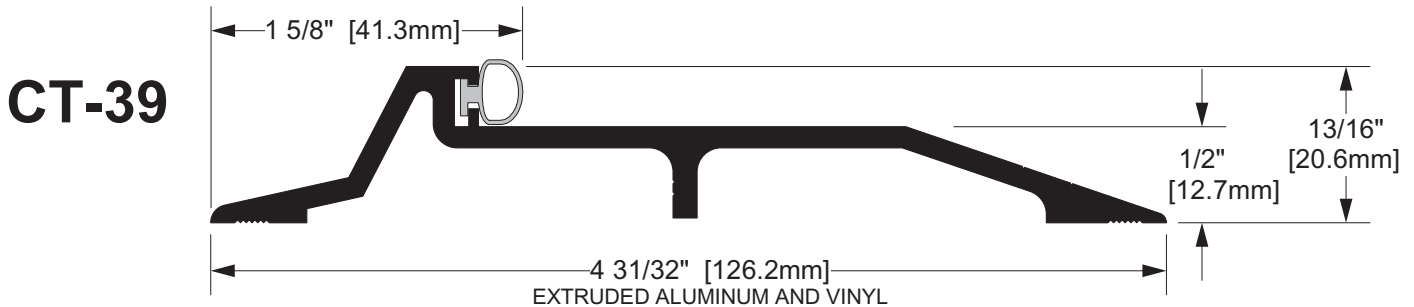
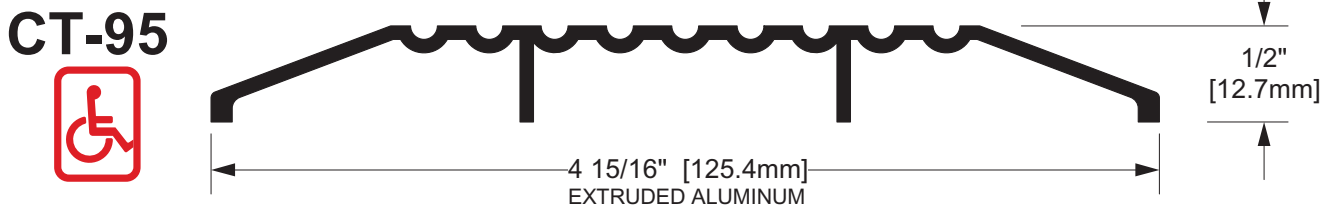
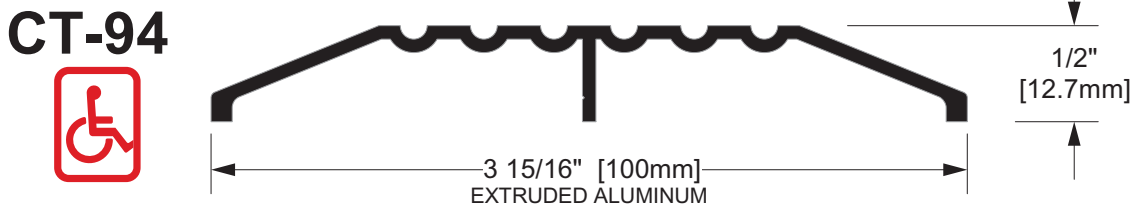
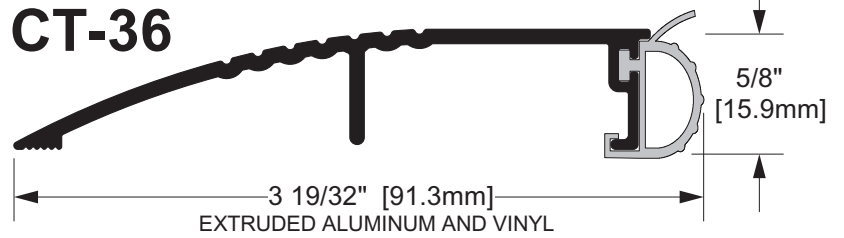
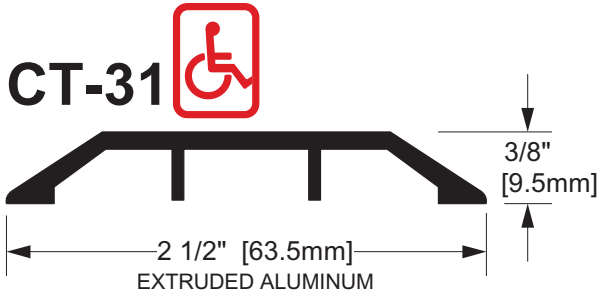
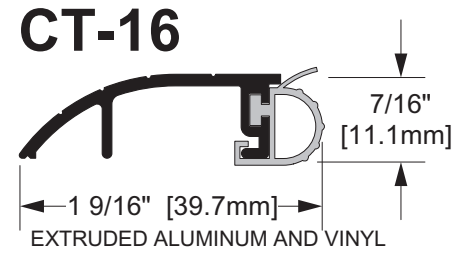
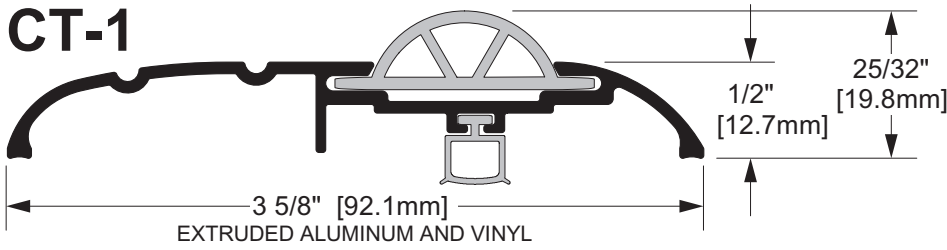
EXTRUDED ALUMINUM  
WITH FLEXIBLE SILICONE  
& RIGID P.V.C. FROST INSERT

### CT-49

EXTRUDED ALUMINUM  
WITH FLEXIBLE NEOPRENE  
& RIGID P.V.C. FROST INSERT

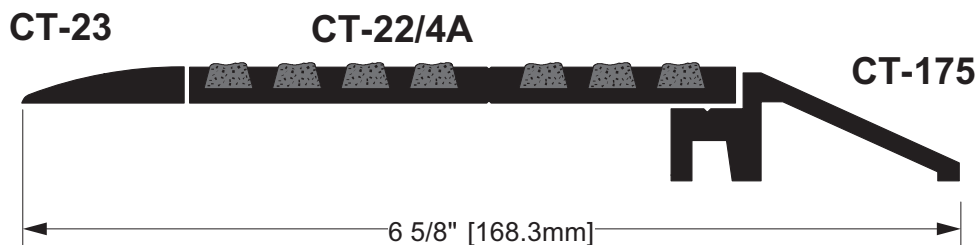
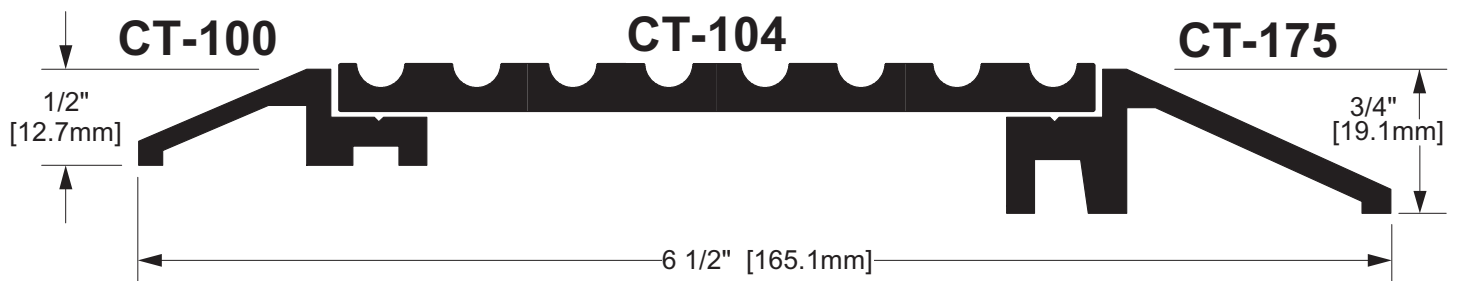
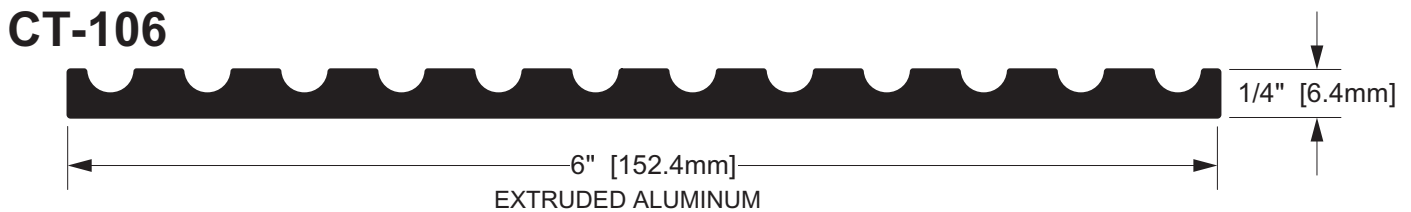
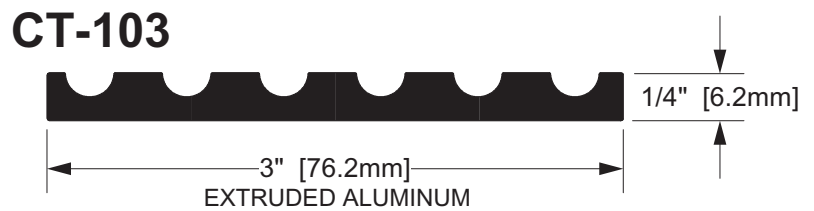
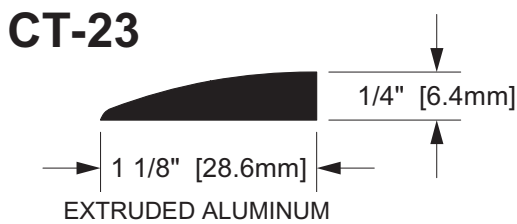
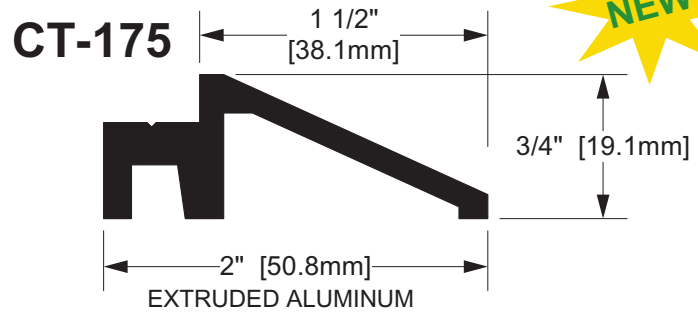
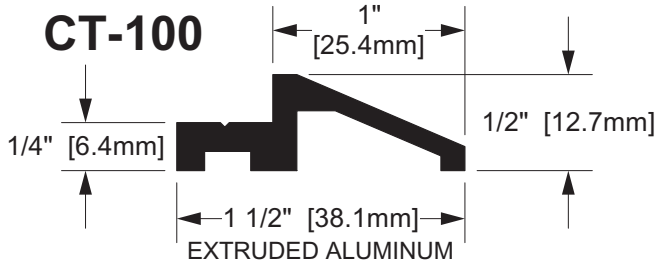


# THRESHOLDS





# BUILD ANY SIZE THRESHOLDS



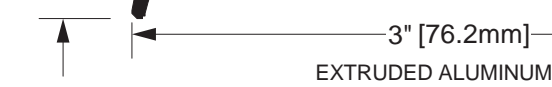
# STAIR NOSINGS



**CT-20/3A**  
ALUMINUM OXIDE GRIT  
IN EPOXY BASE



**CT-20/3**  
LANEL INSERT  
(P.V.C.)



**CT-20/4**  
LANEL INSERT  
(P.V.C.)



**CT-20/4A**  
ALUMINUM OXIDE GRIT  
IN EPOXY BASE



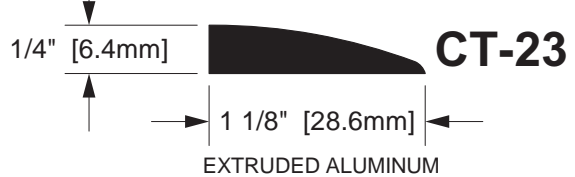
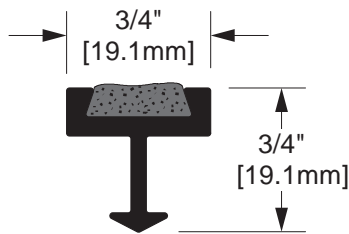
**CT-20/5A**  
ALUMINUM OXIDE GRIT  
IN EPOXY BASE



**CT-20/5**  
LANEL INSERT  
(P.V.C.)



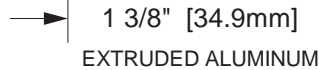
**CT-22/34A**  
ALUMINUM OXIDE GRIT  
IN EPOXY BASE  
SELF ANCHORING  
EXTRUDED ALUMINUM



**CT-22/138A**  
ALUMINUM OXIDE GRIT  
IN EPOXY BASE



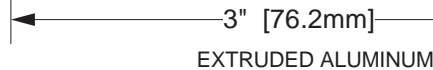
**CT-22/138**  
LANEL INSERT  
(P.V.C.)



**CT-22/3**  
LANEL INSERT  
(P.V.C.)



**CT-22/3A**  
ALUMINUM OXIDE GRIT  
IN EPOXY BASE

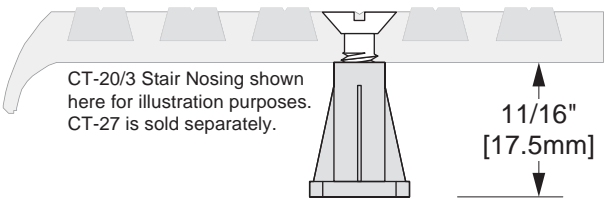
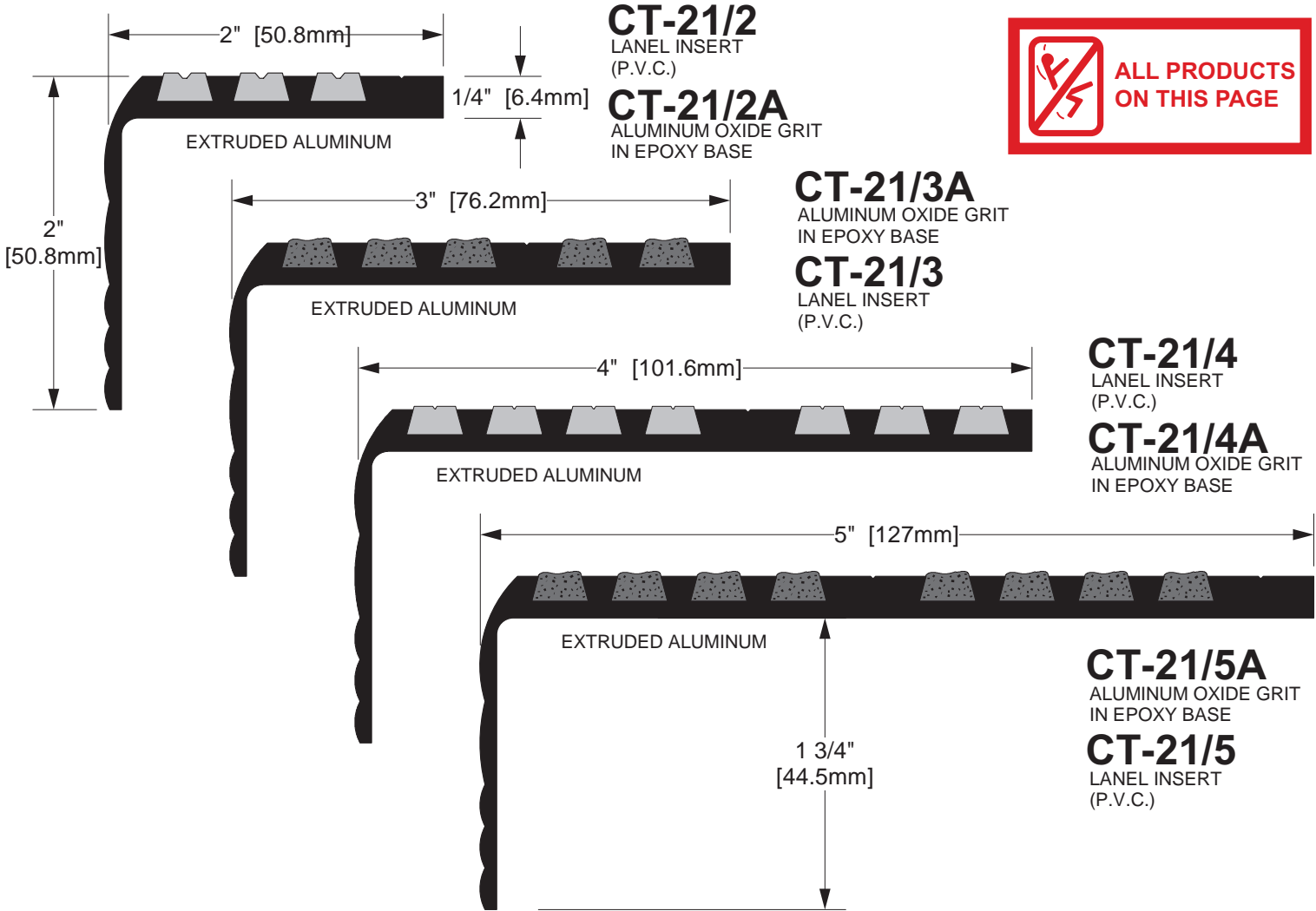


**CT-22/4A**  
ALUMINUM OXIDE GRIT  
IN EPOXY BASE



**CT-22/4**  
LANEL INSERT  
(P.V.C.)

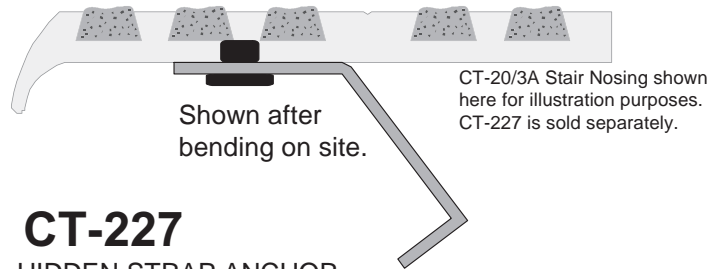




### CT-27

#### CASTMETAL ANCHOR

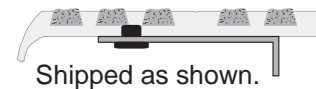
For use in concrete (pour in place installations). Nosings are pre-drilled and countersunk for machine screws (supplied with anchor).



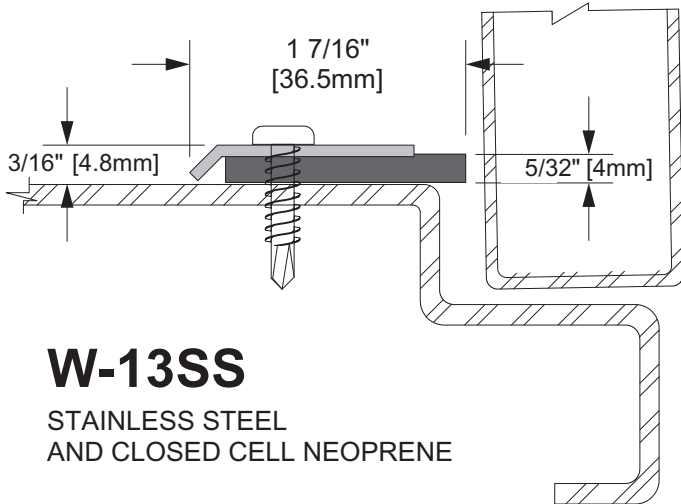
### CT-227

#### HIDDEN STRAP ANCHOR

For use with Abrasive applications only. No visible screws. Typical Spacing is 12" [300mm] center to center.

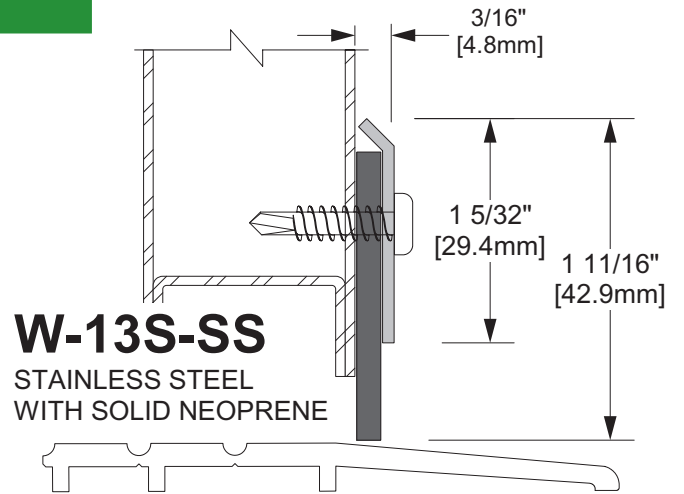


# STAINLESS STEEL PRODUCTS



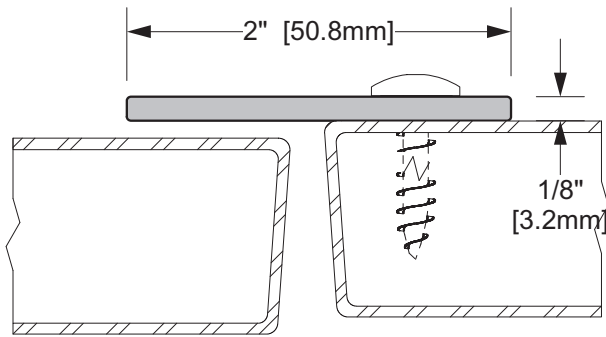
## W-13SS

STAINLESS STEEL  
AND CLOSED CELL NEOPRENE



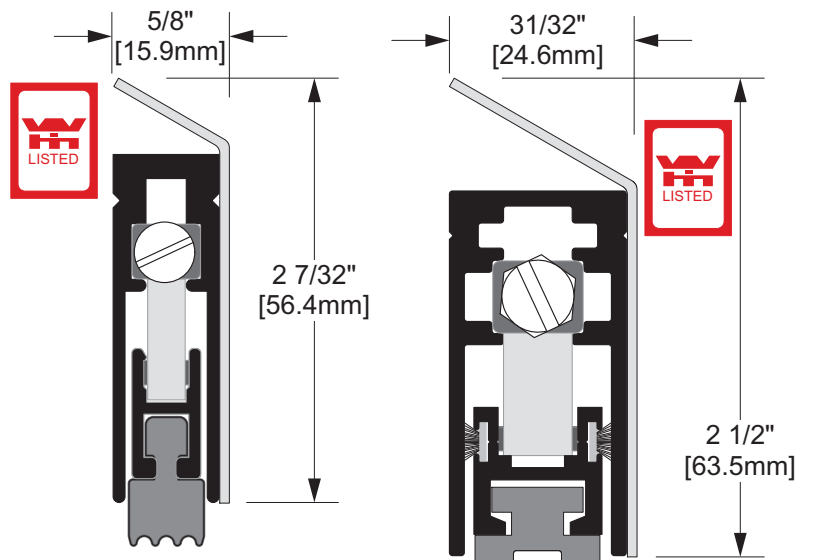
## W-13S-SS

STAINLESS STEEL  
WITH SOLID NEOPRENE



## W-8SS

STAINLESS STEEL ASTRAGAL

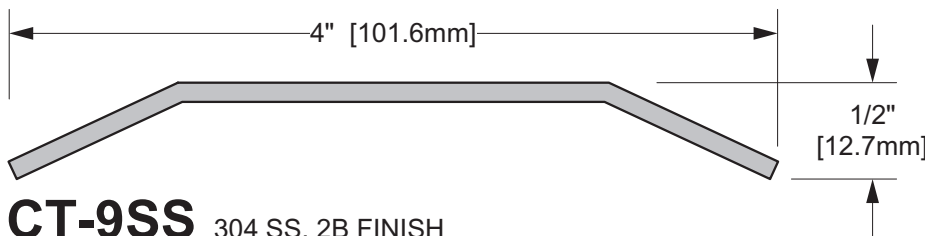


## CT-50SS

STAINLESS STEEL OVER  
ANODIZED ALLUMINUM  
& NEOPRENE SEAL

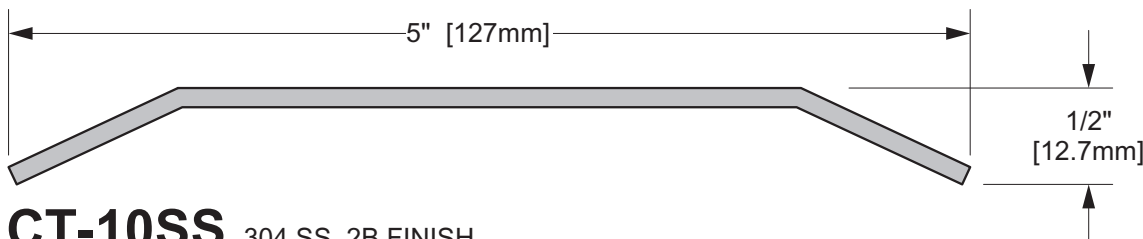
## CT-52SS

STAINLESS STEEL OVER  
ANODIZED ALLUMINUM  
& NEOPRENE SEAL



## CT-9SS

304 SS. 2B FINISH



## CT-10SS

304 SS. 2B FINISH

OTHER SIZES AVAILABLE UPON REQUEST



## CT-11SS

## CT-64SS

## CT-65SS

## CT-66SS

ALSO AVAILABLE.  
PLEASE SEE WEBSITE  
FOR DETAILS.

# AUTOMATIC DOOR BOTTOMS



## K. N. Crowder Mfg. Inc.

Where else but in Canada with its extreme variations of climate could one better choose for the testing and the use of Automatic Door Bottoms.

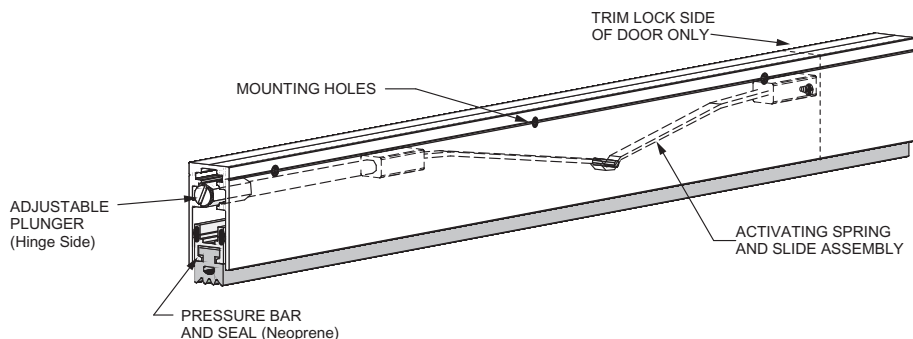
We at K. N. Crowder with the help and concern of Architects and Contract Hardware Consultants, are dedicated to supply products that meet or exceed these demands.

We have been doing it for over 50 years!

*When nothing but the best will do...for the bottom of your doors...*

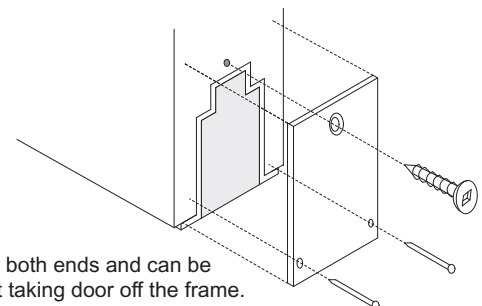


Our Automatic Door Bottoms (ADB) are made from extruded aluminum combined with closed cell sponge neoprene, silicone, felt, or brush. Activation occurs when the plunger is depressed against the door frame, sealing out draft, sound and light. When the door is opened the seal immediately retracts.



### Specifications:

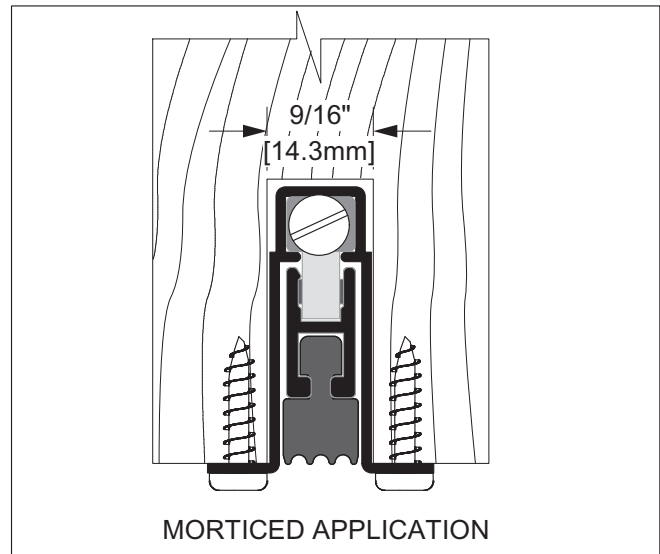
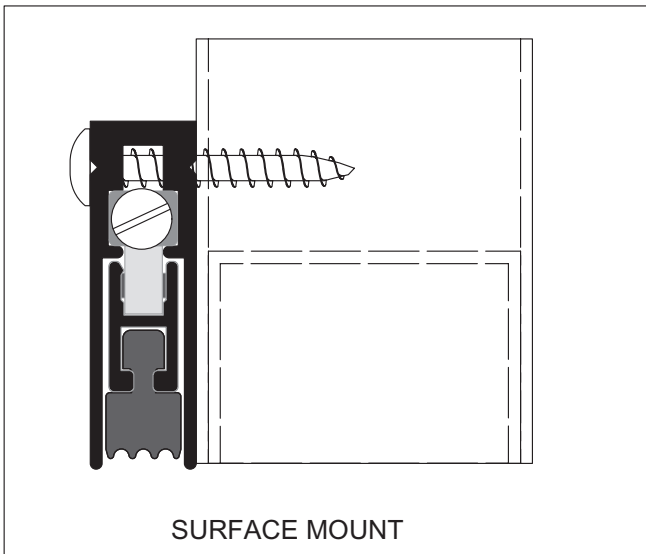
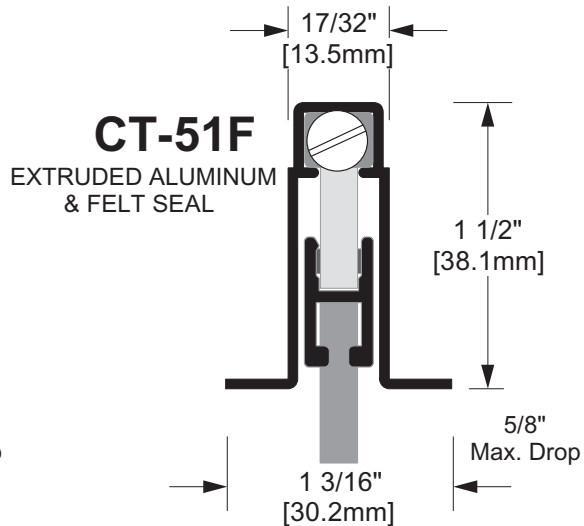
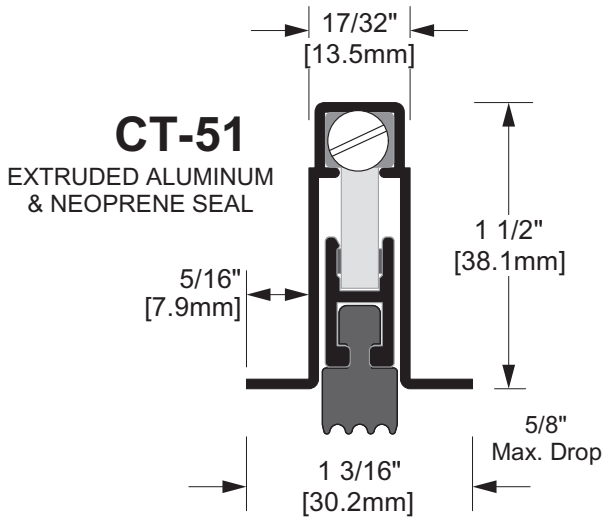
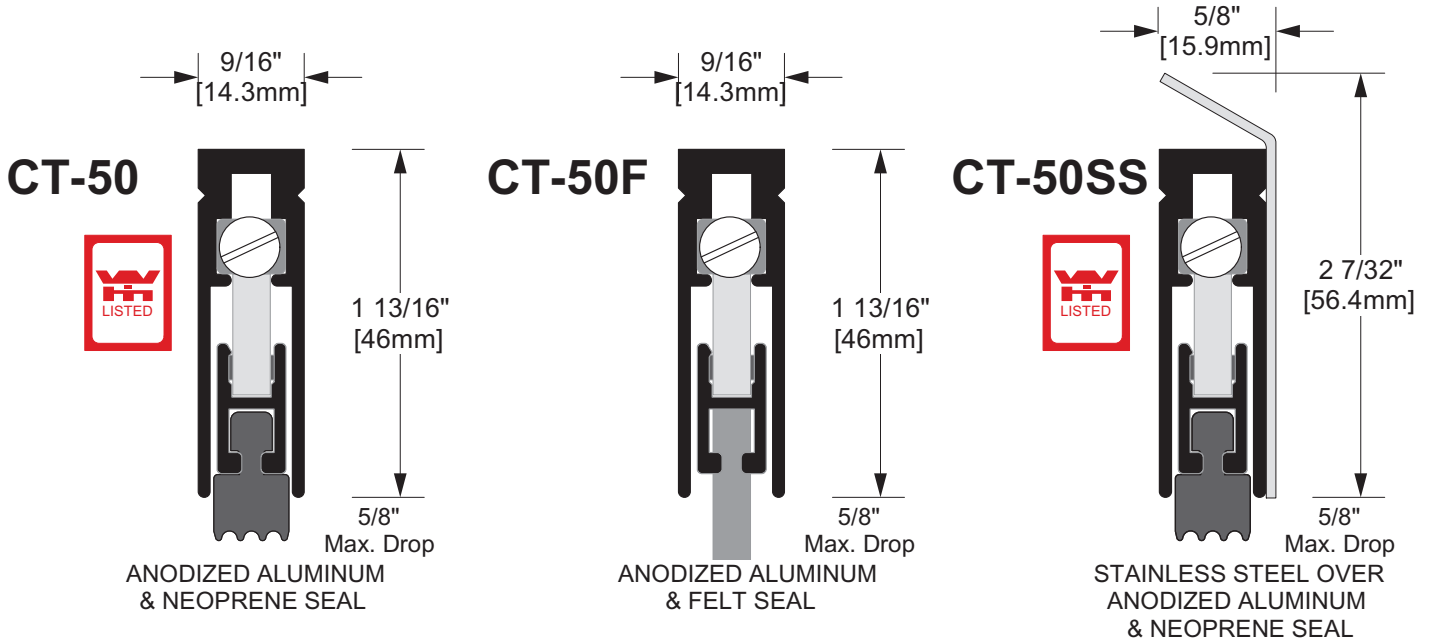
- Reversible - same unit for right or left-handed doors.
- Maximum drop is between 5/8" (Light Duty) - 13/16" (Heavy Duty)
- Stock sizes can be shortened up to 6" (from lock side) on job site.
- Fire Rated - Most types are fire rated (see Warnock Hersey symbol and refer to page 3 for more information).



### End Caps

Are available for both ends and can be removed without taking door off the frame.

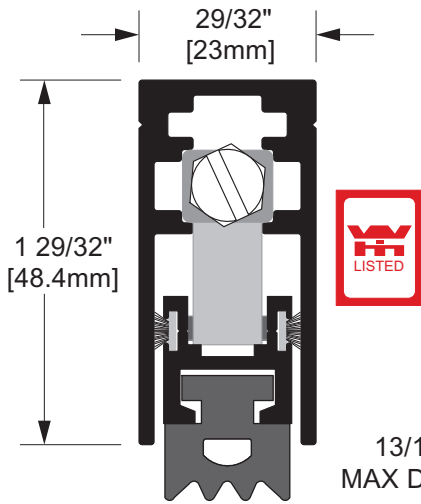
# AUTOMATIC DOOR BOTTOMS



# AUTOMATIC DOOR BOTTOMS

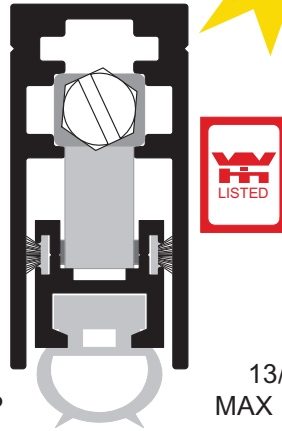


## CT-52



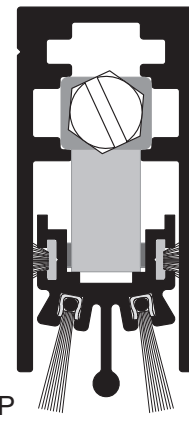
ANODIZED ALUMINUM  
& NEOPRENE SEAL

## CT-52S



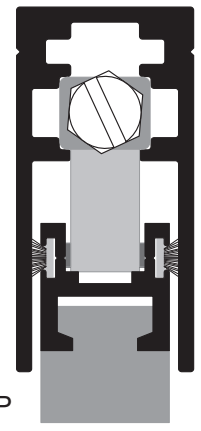
ANODIZED ALUMINUM  
& SILICONE SEAL

## CT-52B



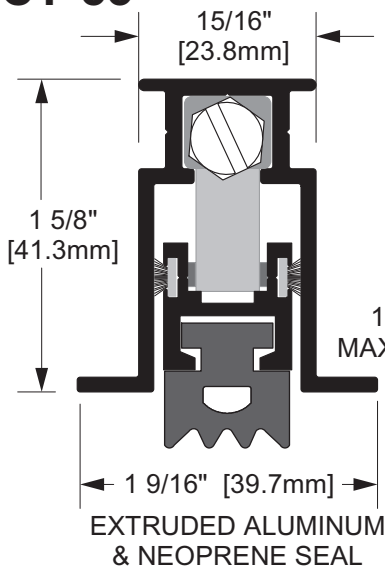
ANODIZED ALUMINUM  
& BRUSH SEAL

## CT-52F



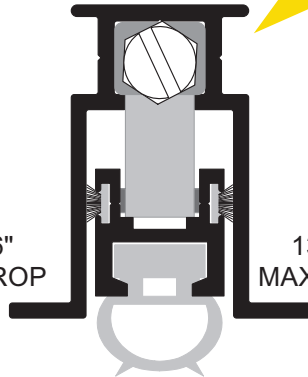
ANODIZED ALUMINUM  
& FELT SEAL

## CT-53



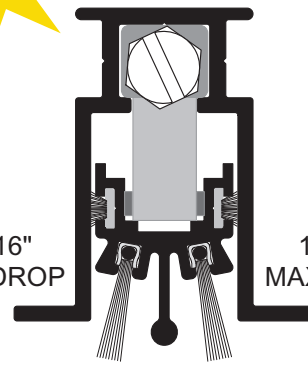
EXTRUDED ALUMINUM  
& NEOPRENE SEAL

## CT-53S



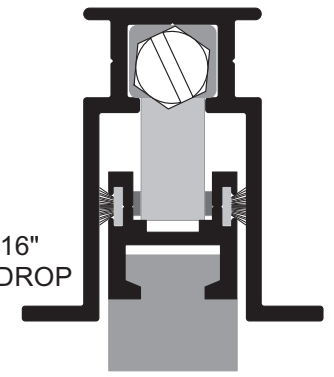
EXTRUDED ALUMINUM  
& SILICONE SEAL

## CT-53B



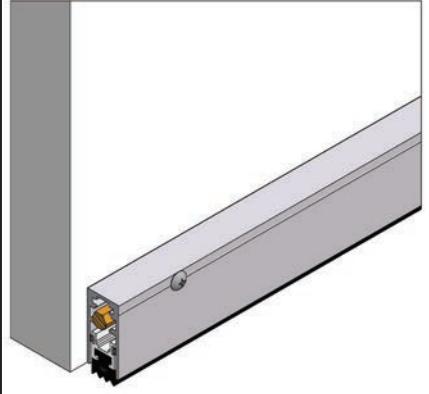
EXTRUDED ALUMINUM  
& BRUSH SEAL

## CT-53F

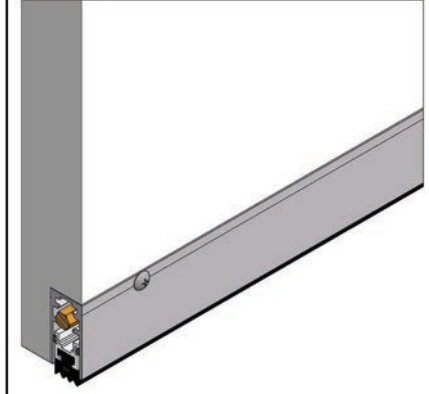


EXTRUDED ALUMINUM  
& FELT SEAL

### SURFACE MOUNTED



### SEMI-MORTISED



### MORTISED APPLICATION



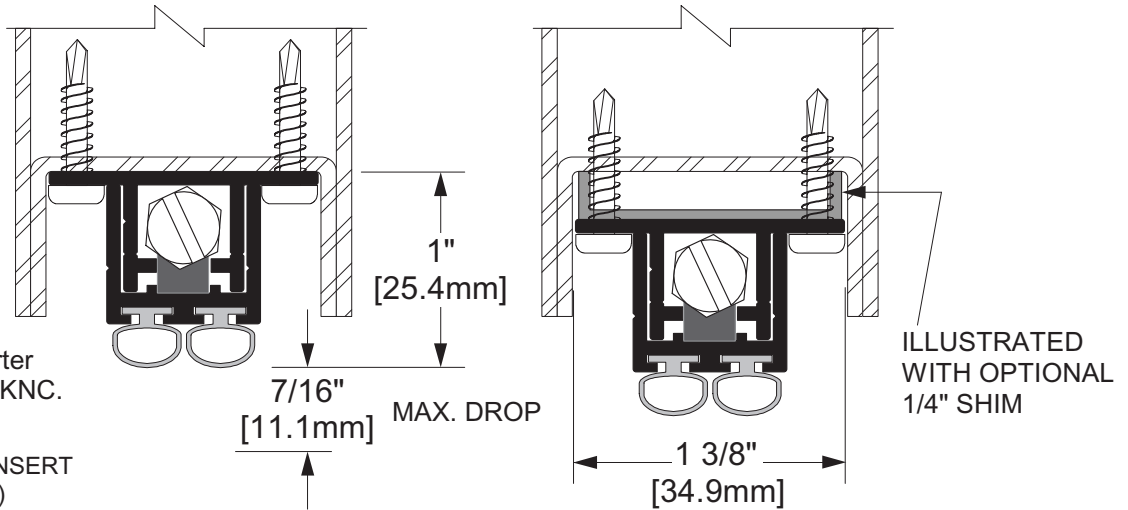
# AUTOMATIC DOOR BOTTOMS

## CT-54



EXTRUDED ALUMINUM AND VINYL

Designed to fit the recess of a standard hollow metal door. Available from stock sizes of 24", 30" 36", 42" and 48". 'Stock sizes can be shortened up to 6" except 24" which can be shortened to 21". Longer and shorter sizes fabricated to order - contact KNC.

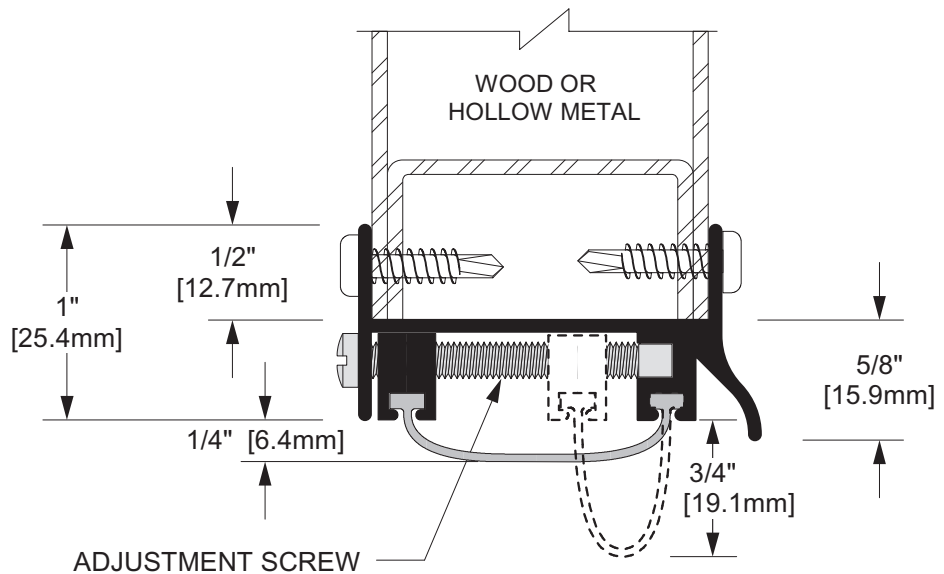


## CT-54N C/W NEOPRENE INSERT (NOT FIRE RATED)

# ADJUSTABLE DOOR SHOE

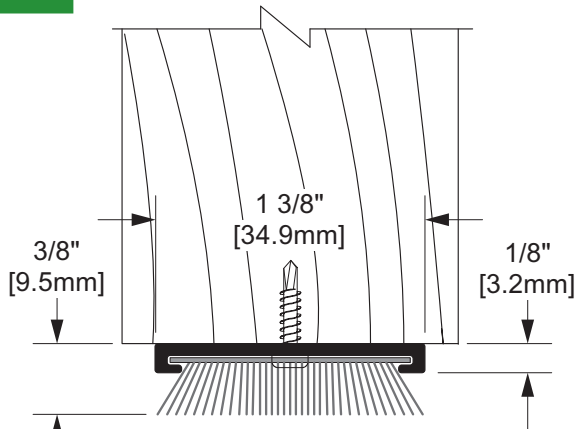
## CT-730

ADJUSTABLE DOOR SHOE  
EXTRUDED ALUMINUM AND VINYL. FOR 1-3/4" DOORS

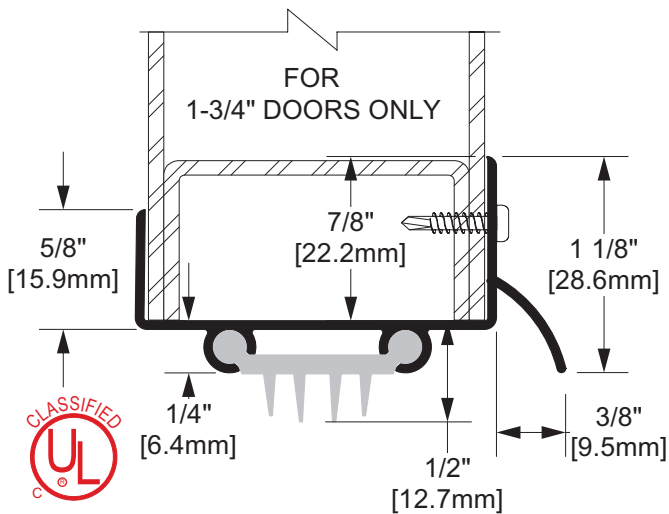




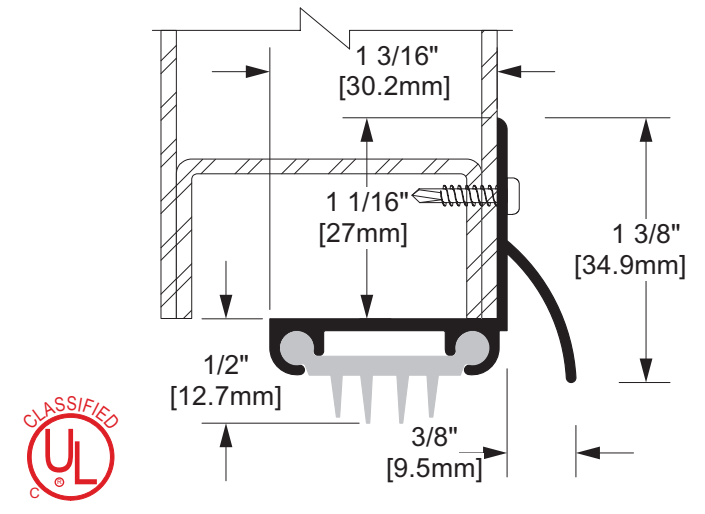
# DOOR SHOES



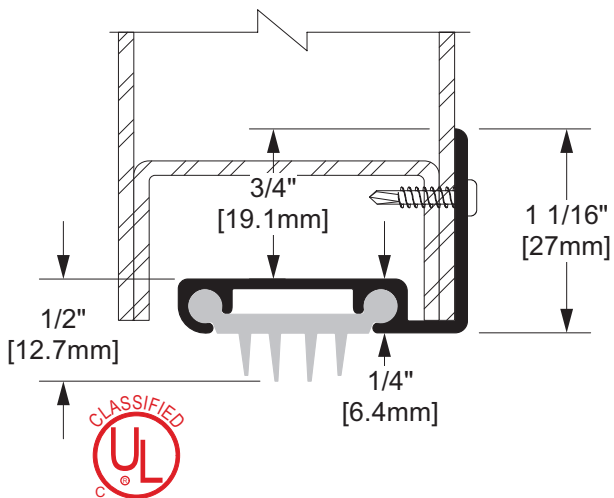
**CT-55** EXTRUDED ALUMINUM & PILE



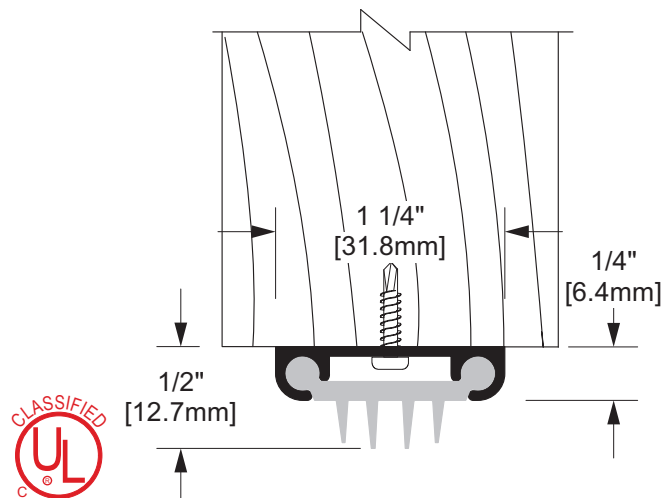
**CT-745** EXTRUDED ALUMINUM & VINYL



**CT-746** EXTRUDED ALUMINUM & VINYL

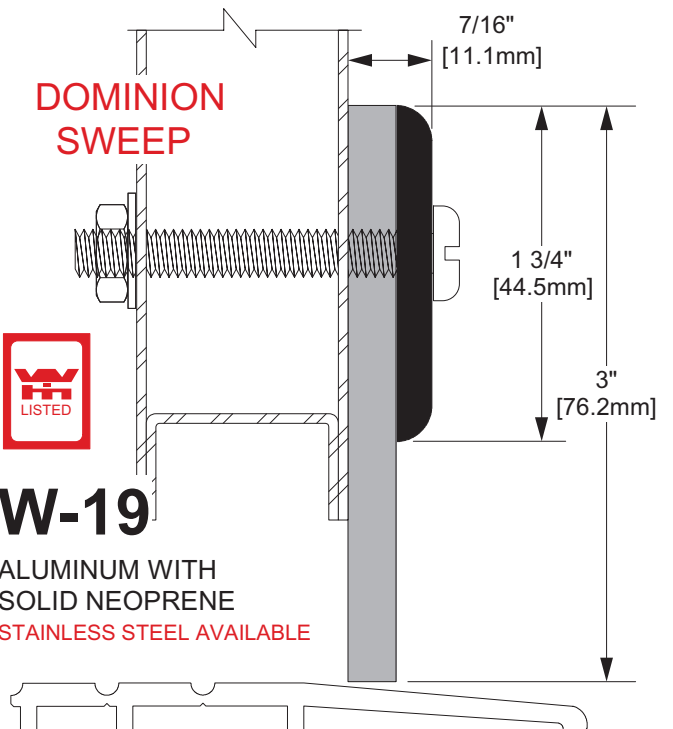
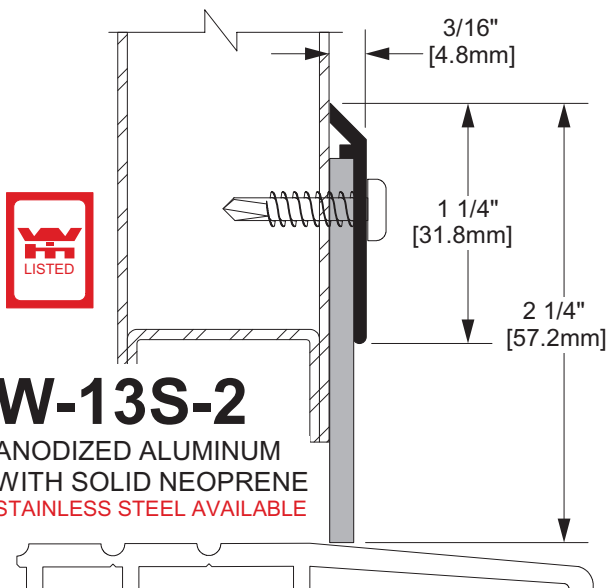
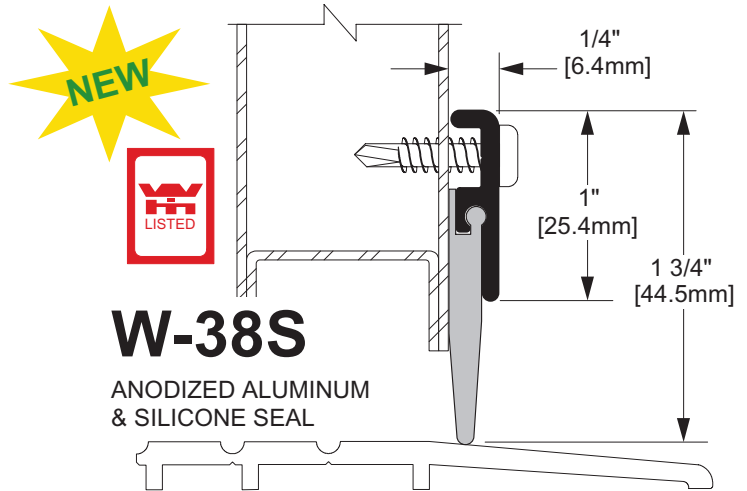
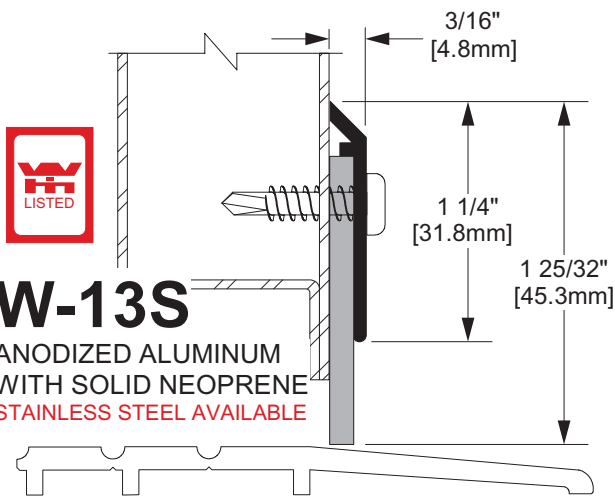
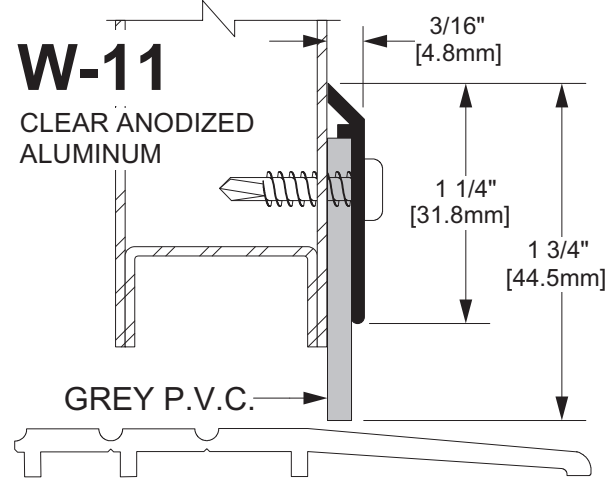
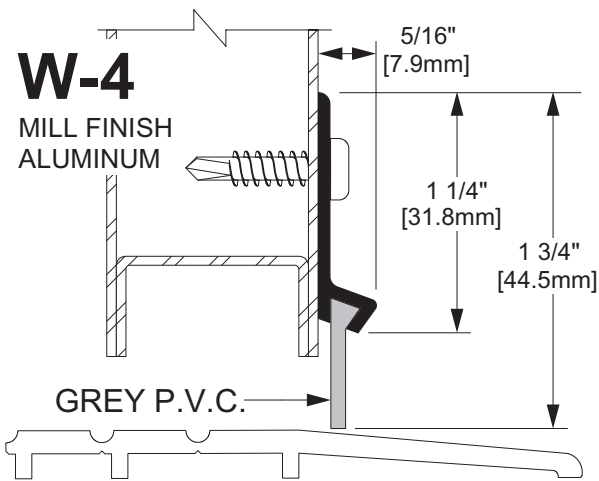


**CT-747** EXTRUDED ALUMINUM & VINYL



**CT-748** EXTRUDED ALUMINUM & VINYL

# SWEEPS



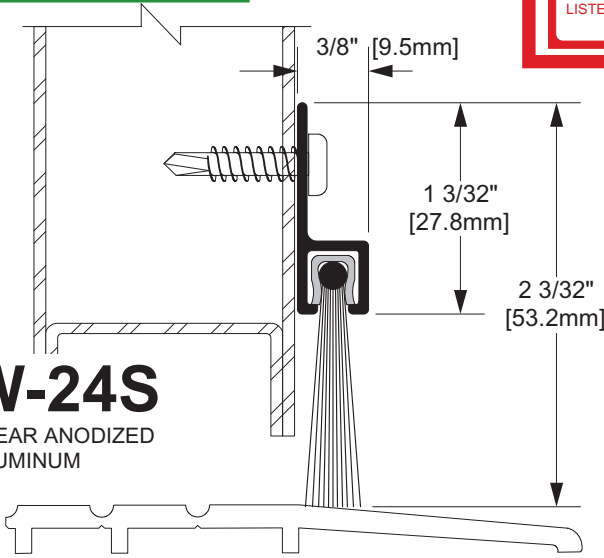
# SWEEPS



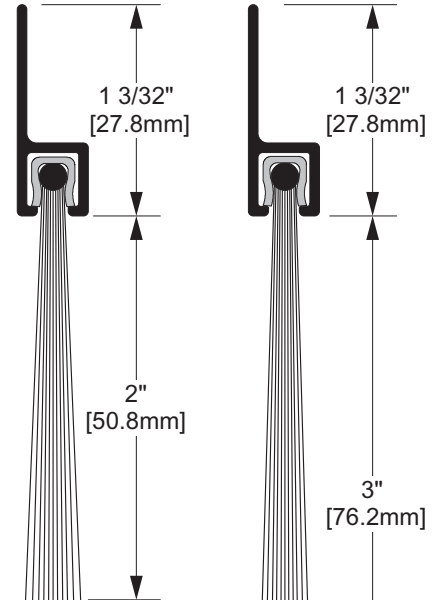
ALL PRODUCTS  
ON THIS PAGE



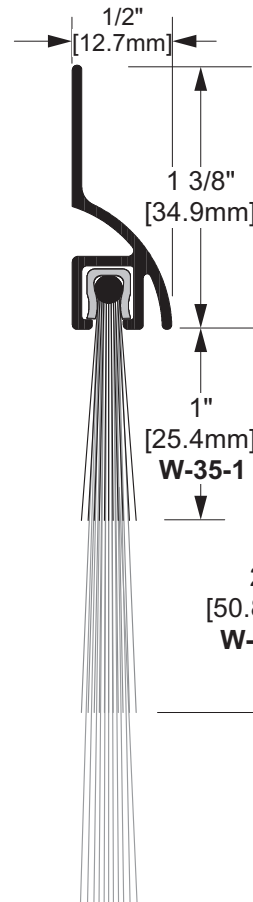
**W-24S**  
CLEAR ANODIZED  
ALUMINUM



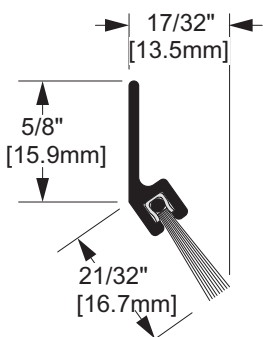
**W-33S**  
CLEAR ANODIZED  
ALUMINUM



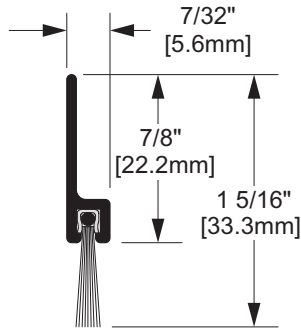
**W-34S**  
CLEAR ANODIZED  
ALUMINUM



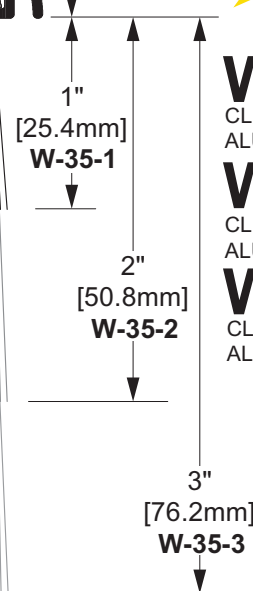
**W-23**  
CLEAR ANODIZED  
ALUMINUM



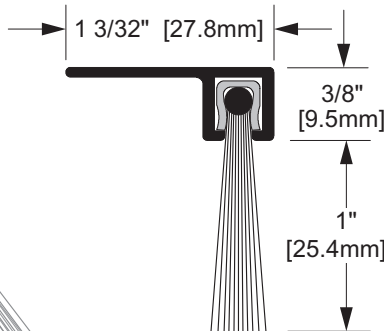
**W-25S**  
CLEAR ANODIZED  
ALUMINUM



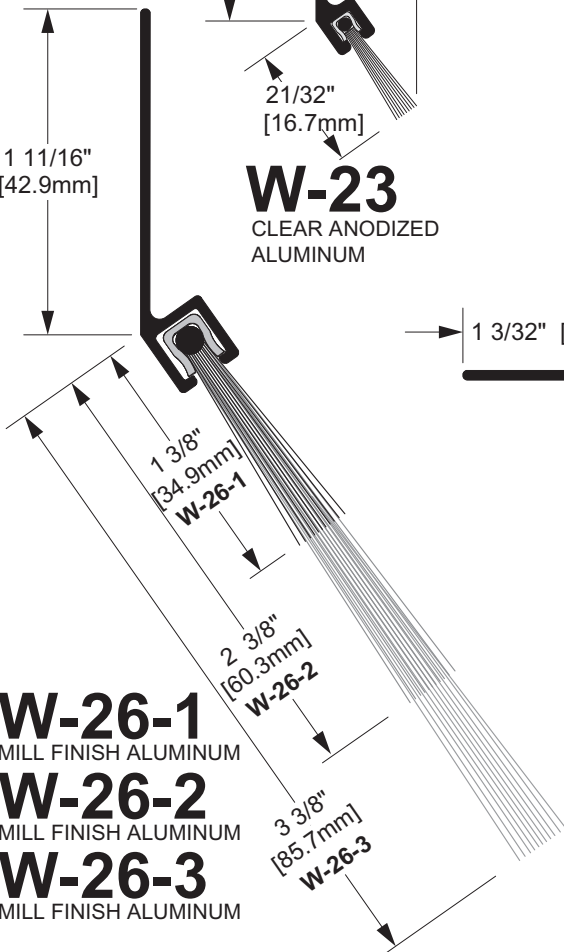
**W-35-1**  
CLEAR ANODIZED  
ALUMINUM  
**W-35-2**  
CLEAR ANODIZED  
ALUMINUM  
**W-35-3**  
CLEAR ANODIZED  
ALUMINUM



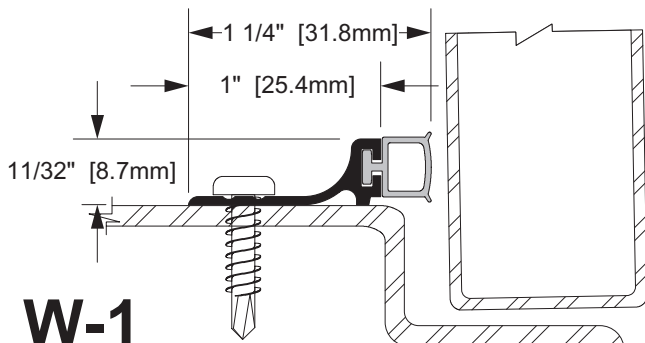
**W-37-1**  
CLEAR ANODIZED  
ALUMINUM



**W-26-1**  
MILL FINISH ALUMINUM  
**W-26-2**  
MILL FINISH ALUMINUM  
**W-26-3**  
MILL FINISH ALUMINUM



# WEATHERSTRIP

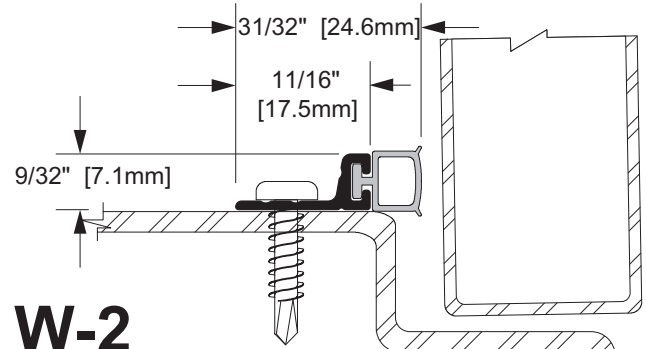


**W-1**

MILL FINISH ALUMINUM  
AND VINYL

**W-1F**

MILL FINISH ALUMINUM  
AND VINYL

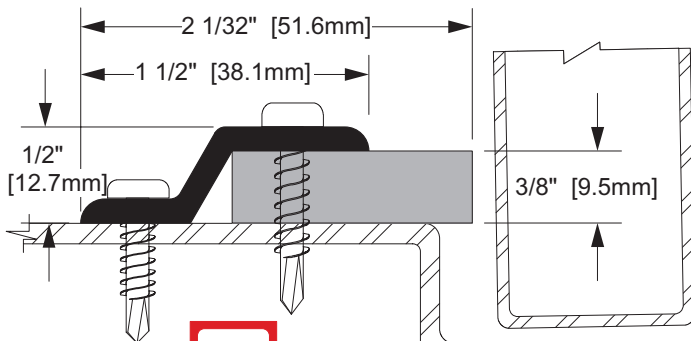


**W-2**

MILL FINISH ALUMINUM  
AND VINYL

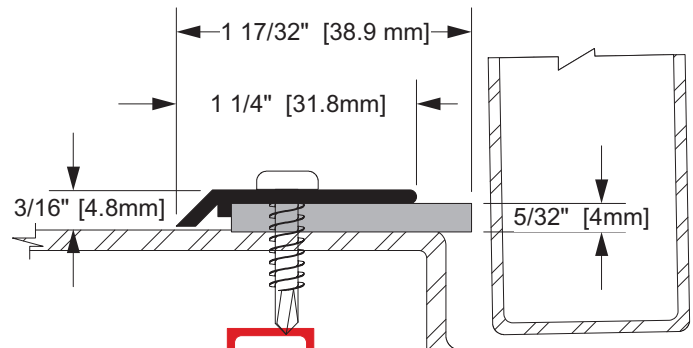
**W-2F**

MILL FINISH ALUMINUM  
AND VINYL



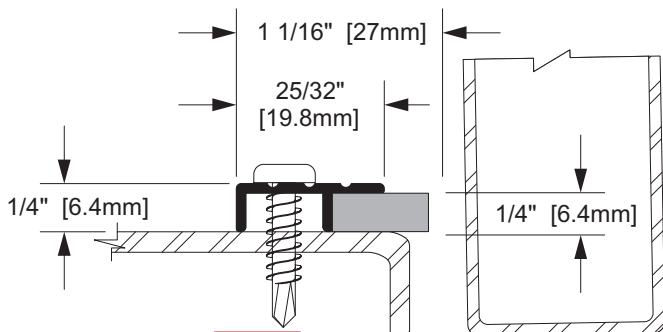
**W-6**

MILL FINISH ALUMINUM  
AND CLOSED CELL NEOPRENE



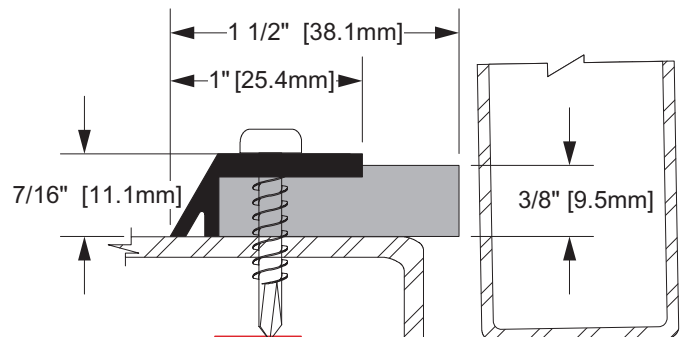
**W-13**

CLEAR ANODIZED ALUMINUM  
AND CLOSED CELL NEOPRENE



**W-14**

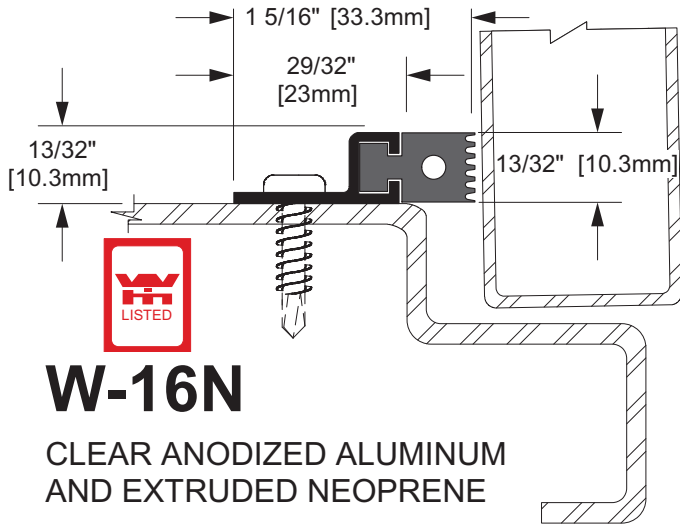
CLEAR ANODIZED ALUMINUM  
AND CLOSED CELL NEOPRENE



**W-15**

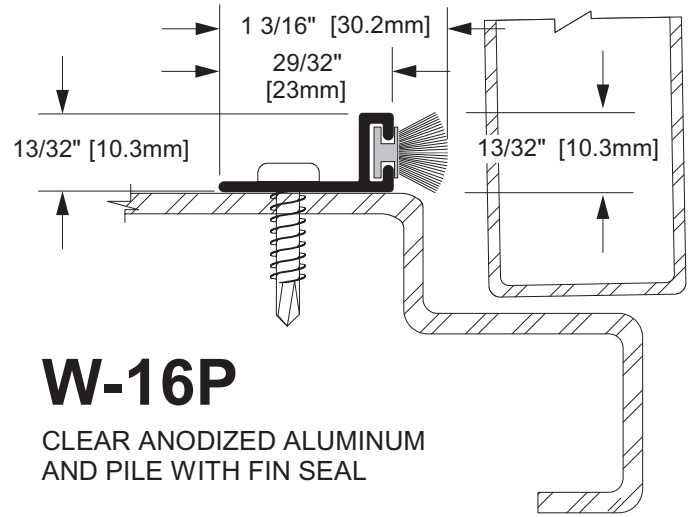
CLEAR ANODIZED ALUMINUM  
AND CLOSED CELL NEOPRENE





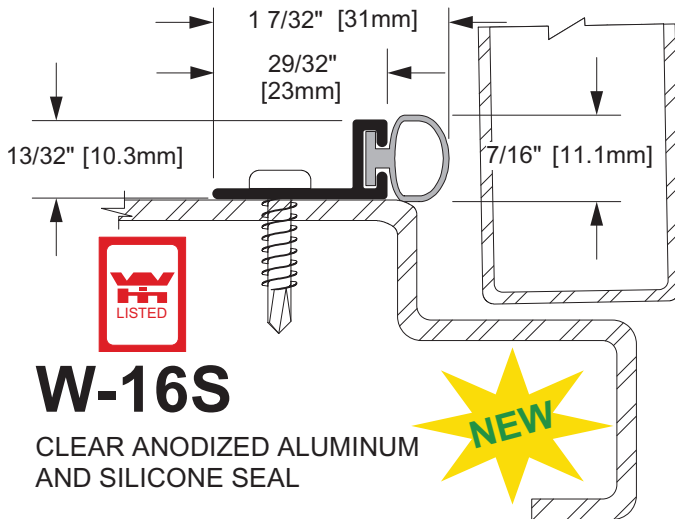
## W-16N

CLEAR ANODIZED ALUMINUM  
AND EXTRUDED NEOPRENE



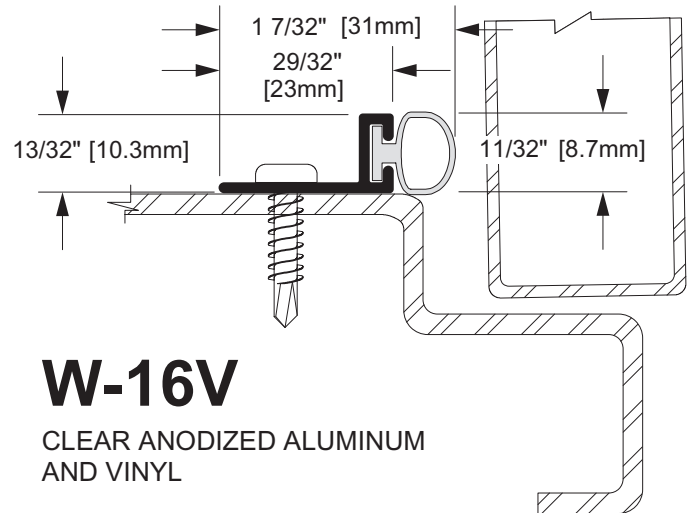
## W-16P

CLEAR ANODIZED ALUMINUM  
AND PILE WITH FIN SEAL



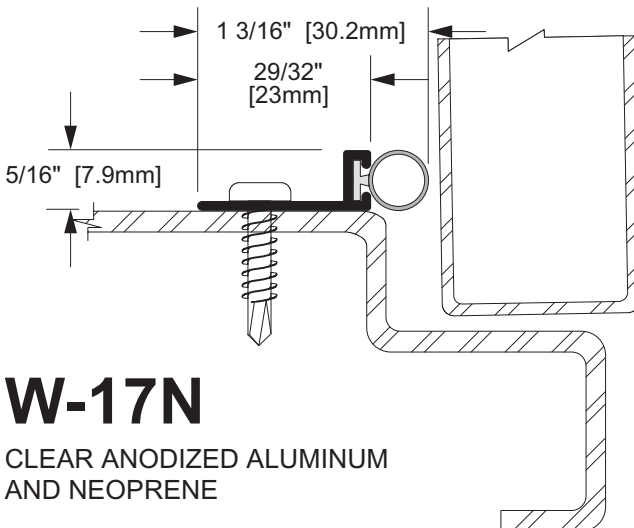
## W-16S

CLEAR ANODIZED ALUMINUM  
AND SILICONE SEAL



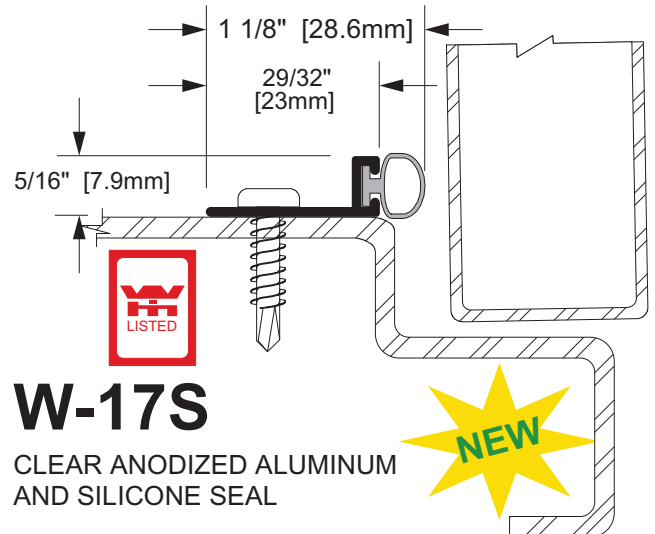
## W-16V

CLEAR ANODIZED ALUMINUM  
AND VINYL



## W-17N

CLEAR ANODIZED ALUMINUM  
AND NEOPRENE

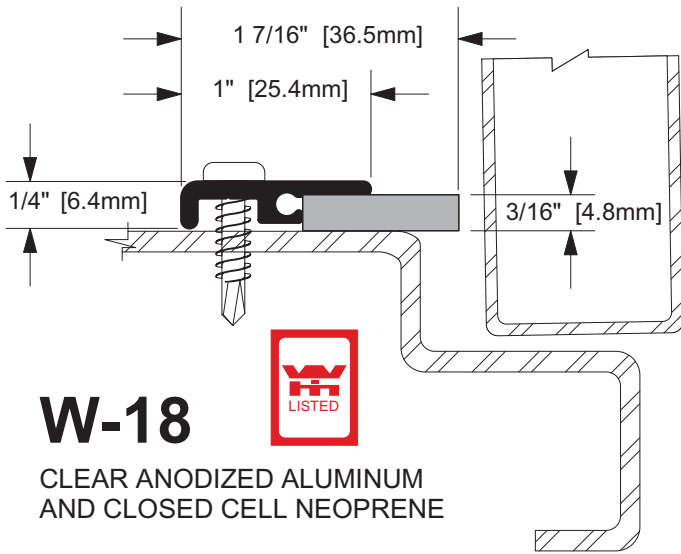


## W-17S

CLEAR ANODIZED ALUMINUM  
AND SILICONE SEAL



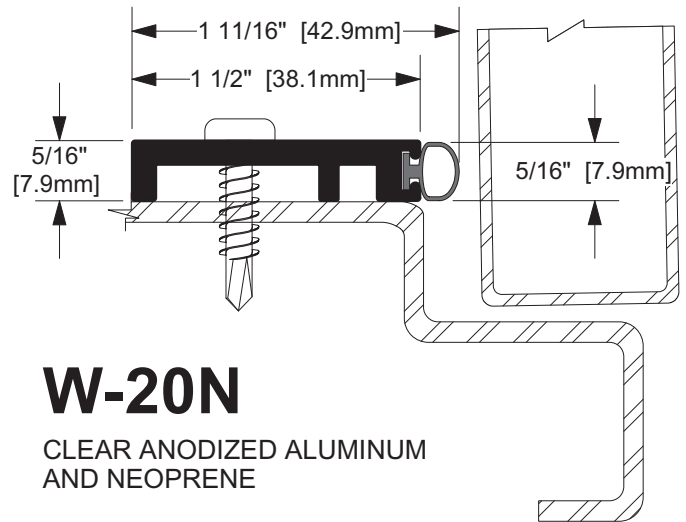
# WEATHERSTRIP



**W-18**

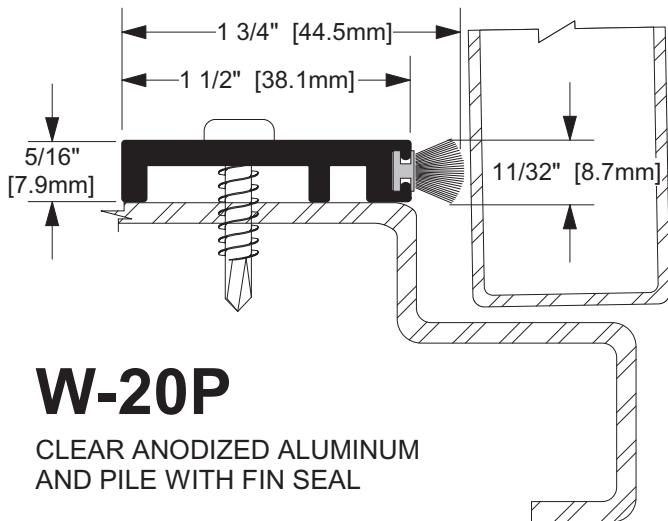


CLEAR ANODIZED ALUMINUM  
AND CLOSED CELL NEOPRENE



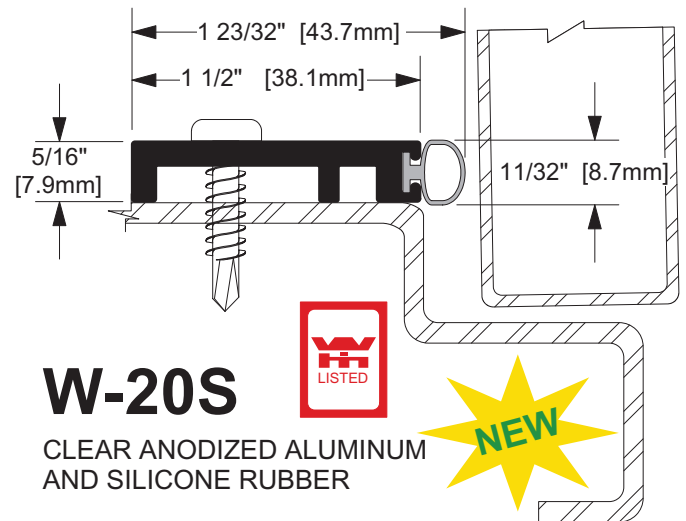
**W-20N**

CLEAR ANODIZED ALUMINUM  
AND NEOPRENE



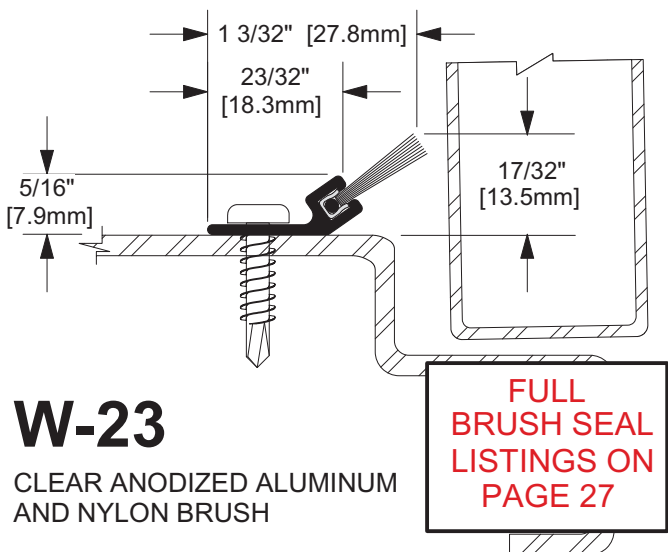
**W-20P**

CLEAR ANODIZED ALUMINUM  
AND PILE WITH FIN SEAL



**W-20S**

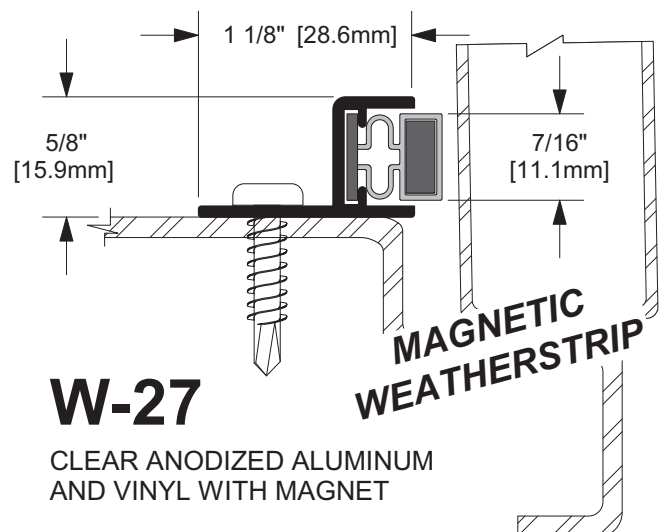
CLEAR ANODIZED ALUMINUM  
AND SILICONE RUBBER



**W-23**

CLEAR ANODIZED ALUMINUM  
AND NYLON BRUSH

**FULL  
BRUSH SEAL  
LISTINGS ON  
PAGE 27**

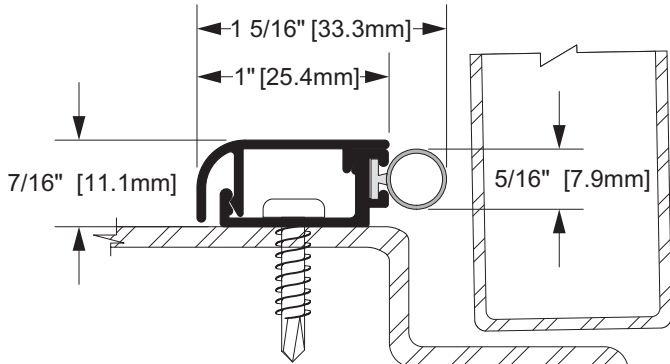


**W-27**

CLEAR ANODIZED ALUMINUM  
AND VINYL WITH MAGNET

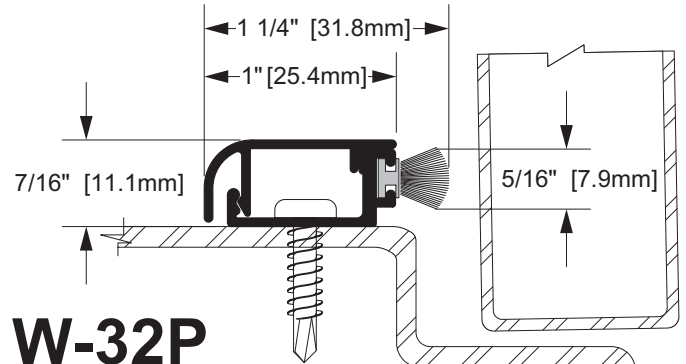
**MAGNETIC  
WEATHERSTRIP**

# WEATHERSTRIP



## W-32N

CLEAR ANODIZED ALUMINUM 2-PIECE  
W/SNAP ON COVER AND NEOPRENE

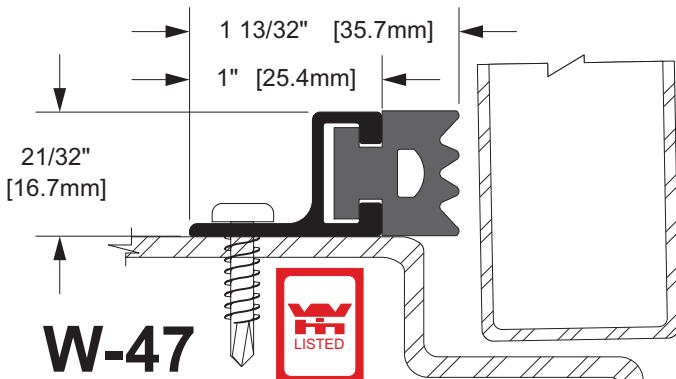


## W-32P

CLEAR ANODIZED ALUMINUM 2-PIECE  
W/SNAP ON COVER AND PILE WITH FIN SEAL

**W-32S**  

CLEAR ANODIZED ALUMINUM 2-PIECE  
W/SNAP ON COVER AND SILICONE

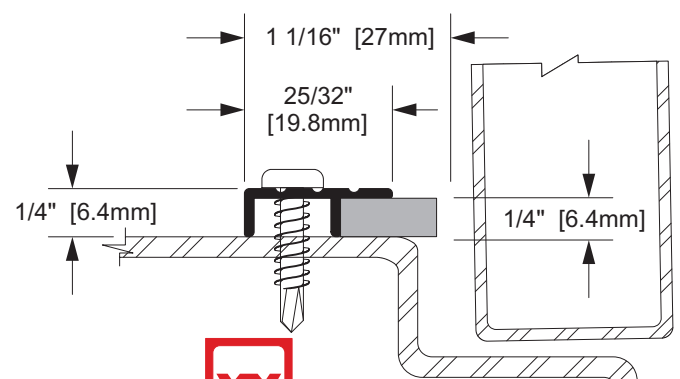


## W-47

CLEAR ANODIZED ALUMINUM  
AND EXTRUDED NEOPRENE

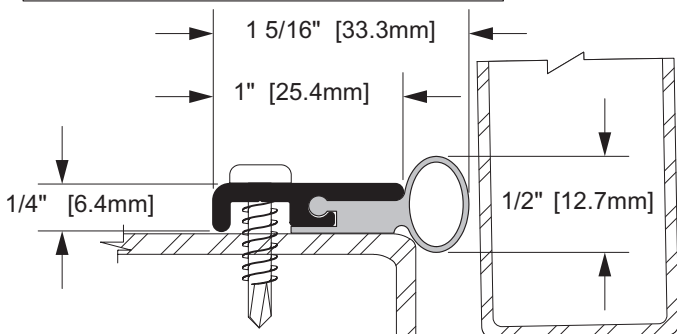
**W-47S**  

CLEAR ANODIZED  
ALUMINUM AND  
SILICONE



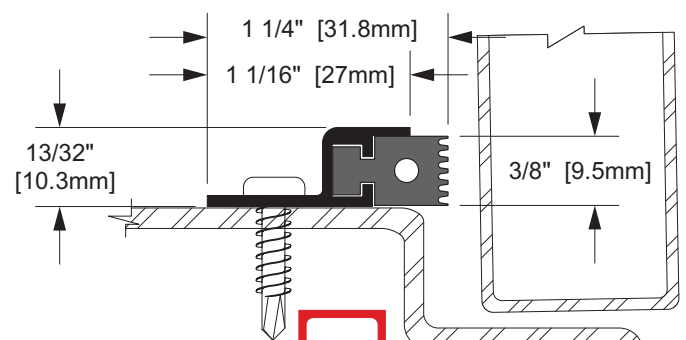
## W-49

MILL FINISH ALUMINUM  
AND CLOSED CELL NEOPRENE



## W-50S

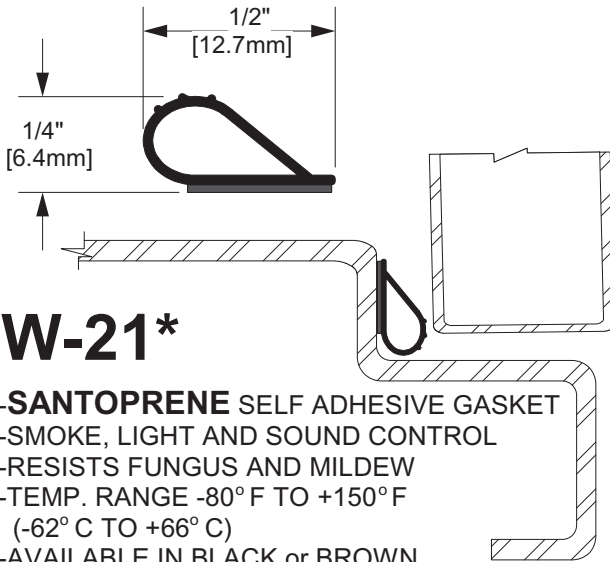
CLEAR ANODIZED ALUMINUM  
AND SILICONE RUBBER SUITABLE  
FOR -110° F (-80° C) TO +570° F (+300° C)



## W-61N

CLEAR ANODIZED ALUMINUM  
AND EXTRUDED NEOPRENE

# SELF ADHESIVE WEATHERSTRIP



## W-21\*

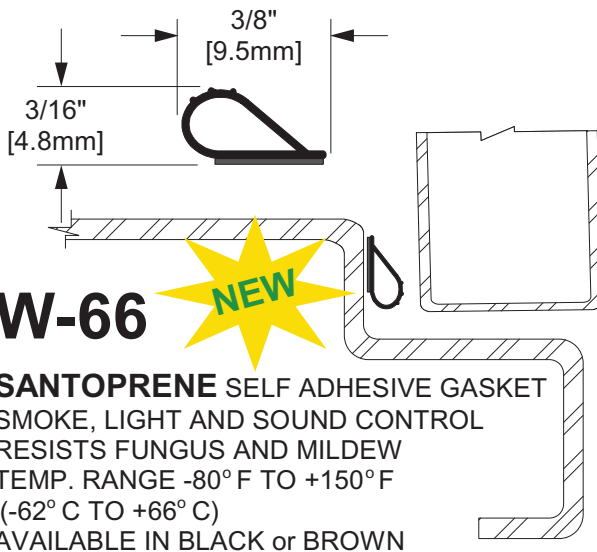
- SANTOPRENE SELF ADHESIVE GASKET
- SMOKE, LIGHT AND SOUND CONTROL
- RESISTS FUNGUS AND MILDEW
- TEMP. RANGE -80° F TO +150° F (-62° C TO +66° C)
- AVAILABLE IN BLACK or BROWN



## W-22

NEW

- SILICONE SELF ADHESIVE GASKET
- SMOKE, LIGHT AND SOUND CONTROL
- UNAFFECTED BY FUNGUS AND MILDEW
- TEMP. RANGE -110° F TO +400° F (-80° C TO +204° C)
- AVAILABLE IN BLACK or BROWN



## W-66

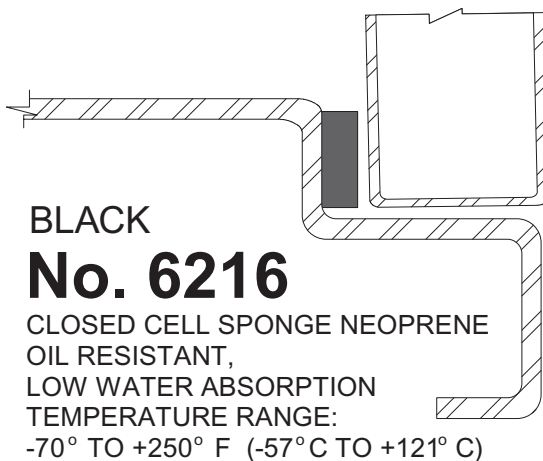
NEW

- SANTOPRENE SELF ADHESIVE GASKET
- SMOKE, LIGHT AND SOUND CONTROL
- RESISTS FUNGUS AND MILDEW
- TEMP. RANGE -80° F TO +150° F (-62° C TO +66° C)
- AVAILABLE IN BLACK or BROWN



\*W-21 is approved for use with 90 minute rated mineral core wood, plastic lamfaced fire doors & wood veneered steel frames.

## ADHESIVE BACKED NEOPRENE WEATHERSTRIP



BLACK

### No. 6216

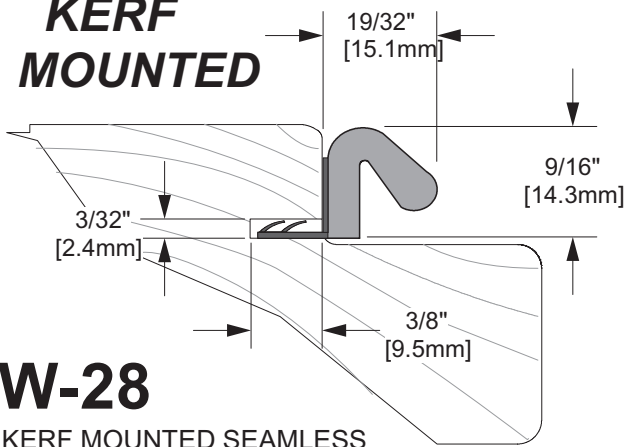
CLOSED CELL SPONGE NEOPRENE  
OIL RESISTANT,  
LOW WATER ABSORPTION  
TEMPERATURE RANGE:  
-70° TO +250° F (-57° C TO +121° C)

1/16" x 3/8"	3/16" X 1/4"	3/8" X 1/2"
1/16" x 1/2"	3/16" X 3/8"	3/8" X 3/4"
1/8" x 1/4"	3/16" X 1/2"	1/2" X 1/2"
1/8" x 3/8"	1/4" X 3/8"	1/2" X 3/4"
1/8" x 1/2"	1/4" X 1/2"	
	1/4" X 3/4"	

OTHER SIZES/COLOURS, SPECIAL ORDER: CONTACT OFFICE

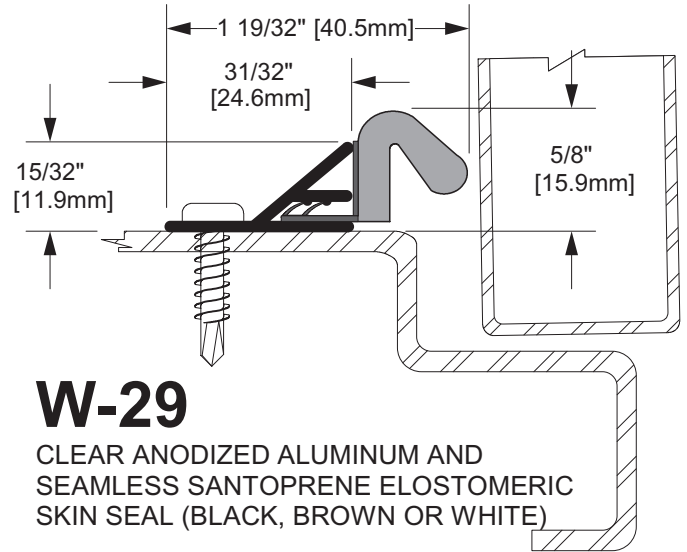


## KERF MOUNTED



### W-28

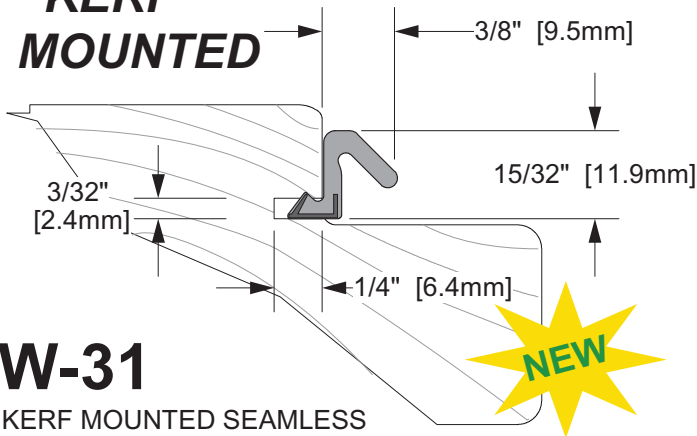
KERF MOUNTED SEAMLESS SANTOPRENE ELOSTOMERIC SKIN SEAL AVAILABLE IN BLACK, BROWN OR WHITE



### W-29

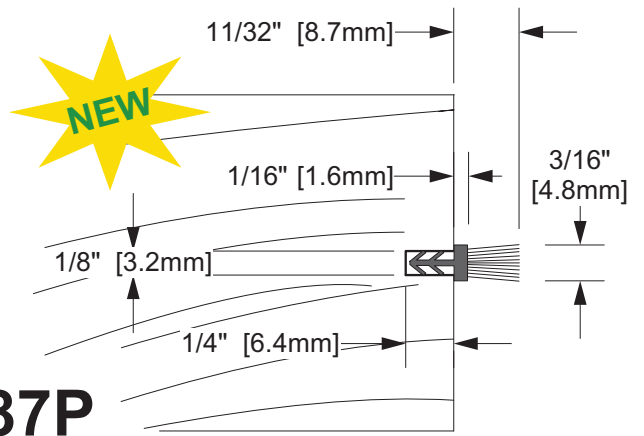
CLEAR ANODIZED ALUMINUM AND SEAMLESS SANTOPRENE ELOSTOMERIC SKIN SEAL (BLACK, BROWN OR WHITE)

## KERF MOUNTED



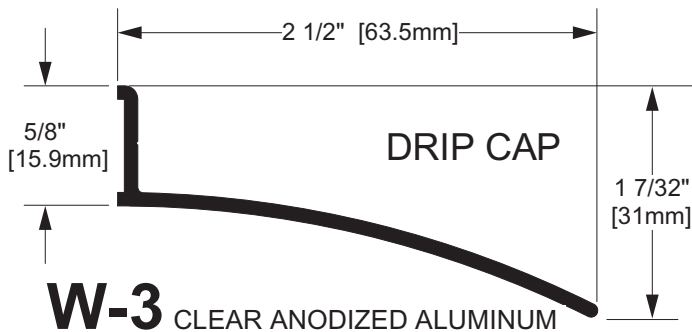
### W-31

KERF MOUNTED SEAMLESS SANTOPRENE ELOSTOMERIC SKIN SEAL AVAILABLE IN BLACK, BROWN OR WHITE



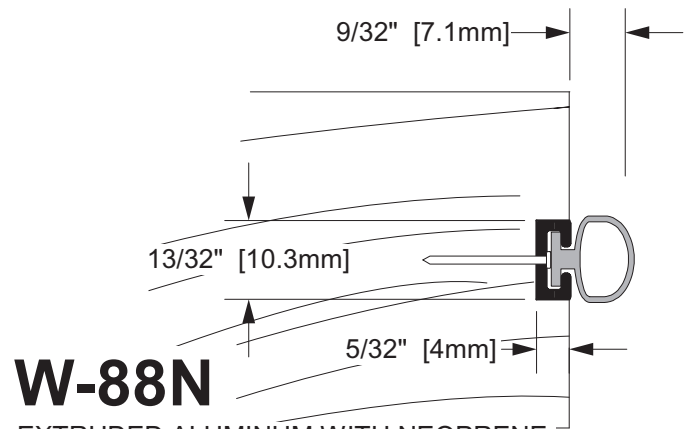
### W-87P

KERF MOUNTED PILE WEATHERSTRIP



### W-3

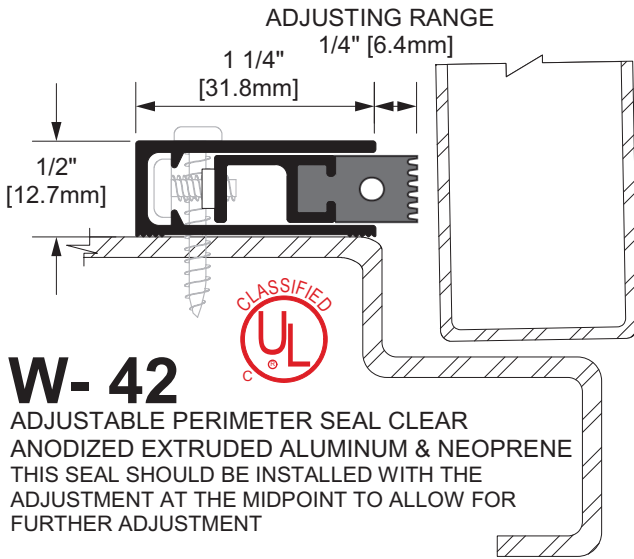
CLEAR ANODIZED ALUMINUM



### W-88N

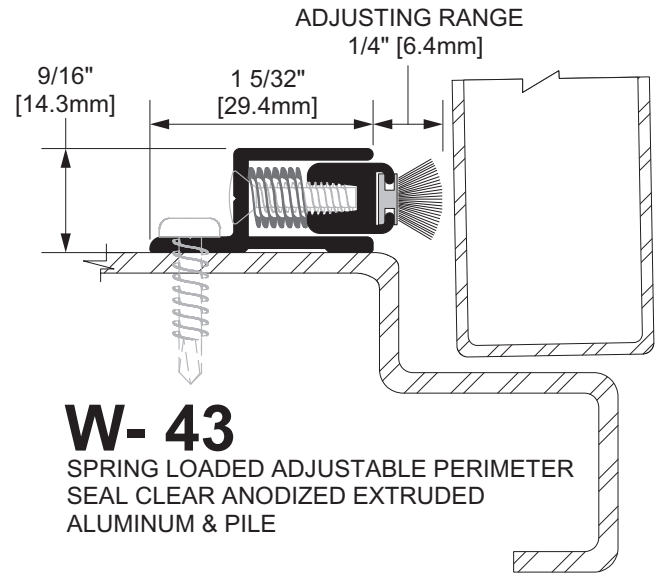
EXTRUDED ALUMINUM WITH NEOPRENE INSERT. ALSO AVAILABLE WITH PILE INSERT : W-88P

# SPRING LOADED AND ADJUSTABLE WEATHERSTRIP



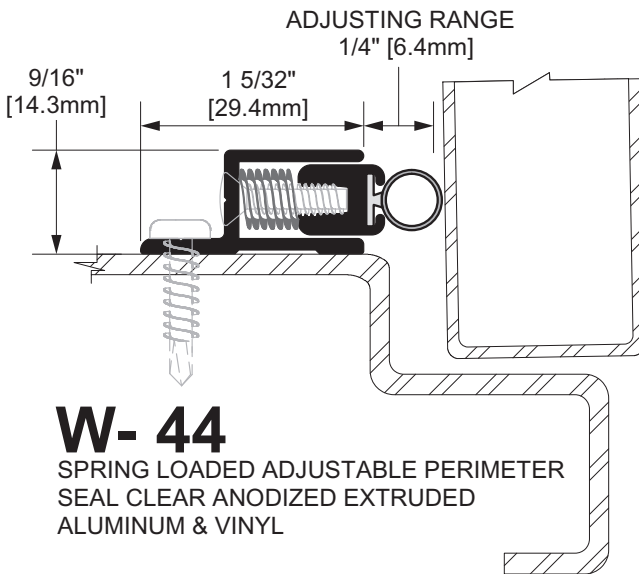
**W- 42**

ADJUSTABLE PERIMETER SEAL CLEAR ANODIZED EXTRUDED ALUMINUM & NEOPRENE  
THIS SEAL SHOULD BE INSTALLED WITH THE ADJUSTMENT AT THE MIDPOINT TO ALLOW FOR FURTHER ADJUSTMENT



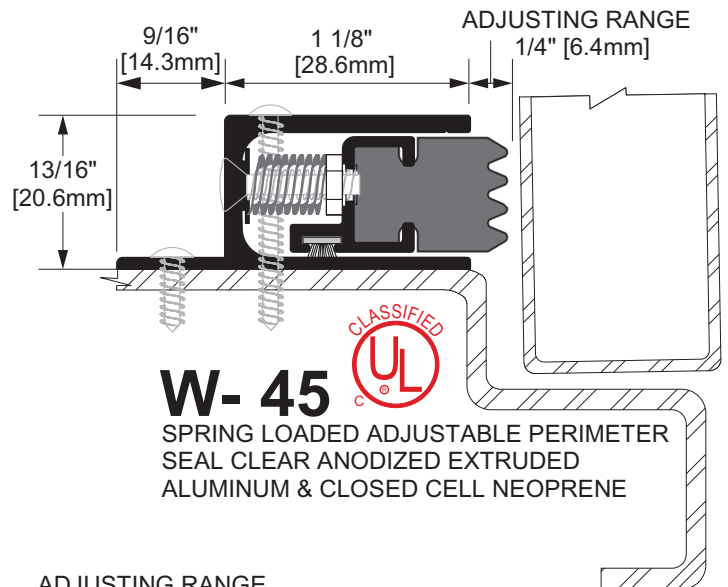
**W- 43**

SPRING LOADED ADJUSTABLE PERIMETER SEAL CLEAR ANODIZED EXTRUDED ALUMINUM & PILE



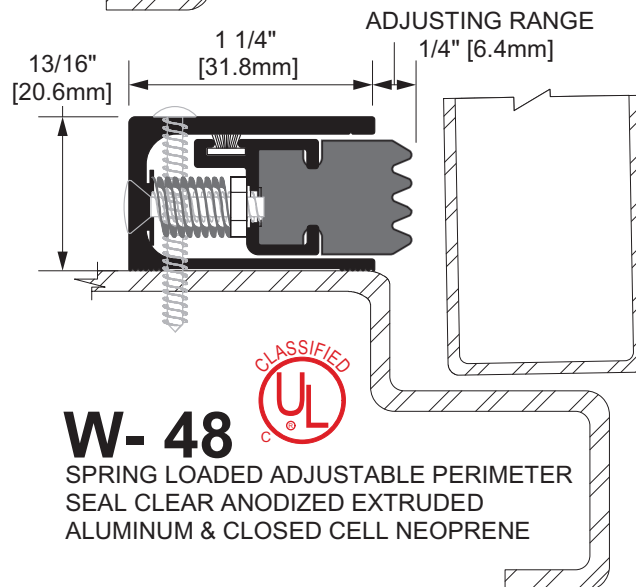
**W- 44**

SPRING LOADED ADJUSTABLE PERIMETER SEAL CLEAR ANODIZED EXTRUDED ALUMINUM & VINYL



**W- 45**

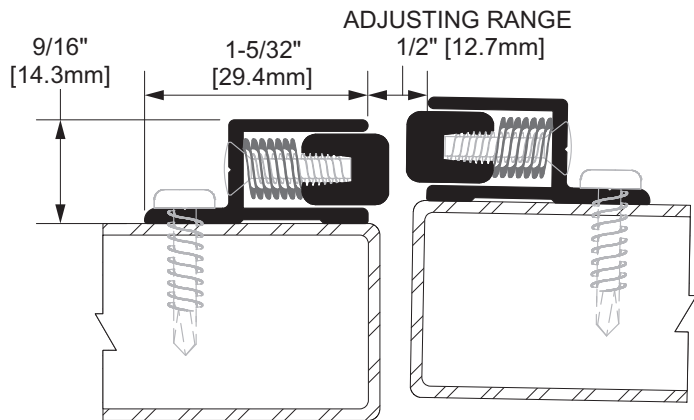
SPRING LOADED ADJUSTABLE PERIMETER SEAL CLEAR ANODIZED EXTRUDED ALUMINUM & CLOSED CELL NEOPRENE



**W- 48**

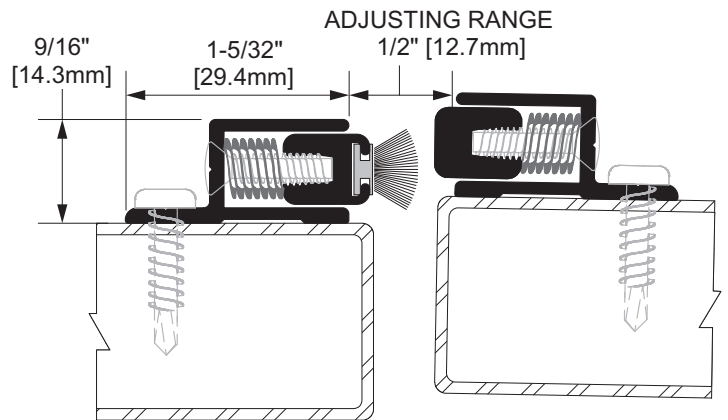
SPRING LOADED ADJUSTABLE PERIMETER SEAL CLEAR ANODIZED EXTRUDED ALUMINUM & CLOSED CELL NEOPRENE

# SPRING LOADED AND ADJUSTABLE ASTRAGALS



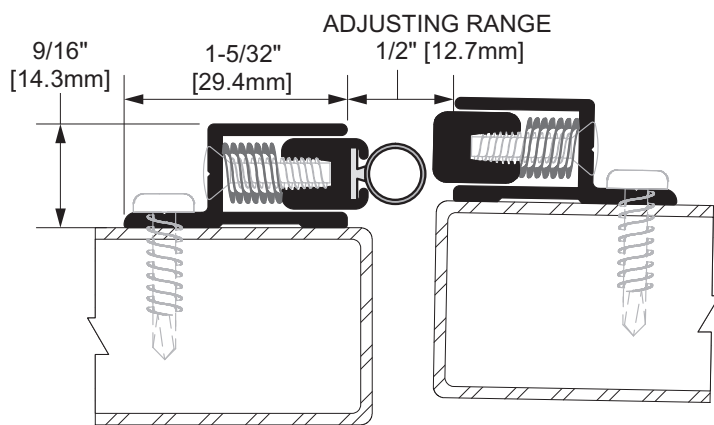
## W- 40

SPRING LOADED ADJUSTABLE ASTRAGAL  
CLEAR ANODIZED EXTRUDED ALUMINUM



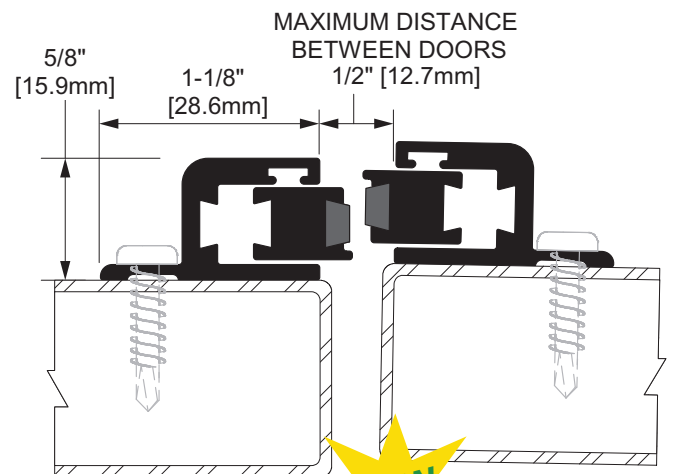
## W- 40P

SPRING LOADED ADJUSTABLE ASTRAGAL  
CLEAR ANODIZED EXTRUDED ALUMINUM & PILE



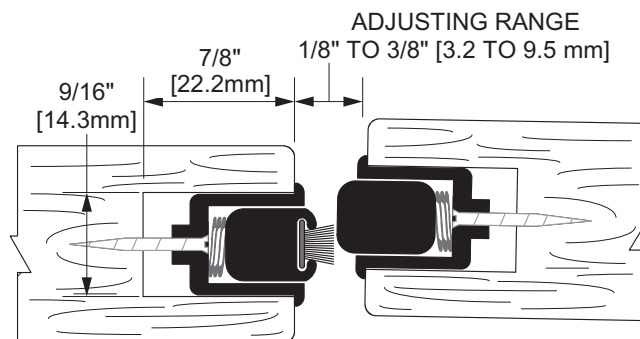
## W- 40V

SPRING LOADED ADJUSTABLE ASTRAGAL  
CLEAR ANODIZED EXTRUDED ALUMINUM & VINYL



## W- 40M

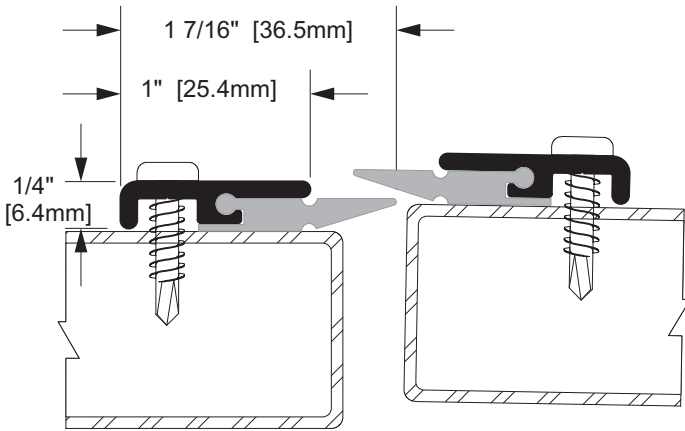
MAGNETIC ASTRAGAL  
CLEAR ANODIZED EXTRUDED ALUMINUM  
-PROVIDED AS TWO PIECE SET



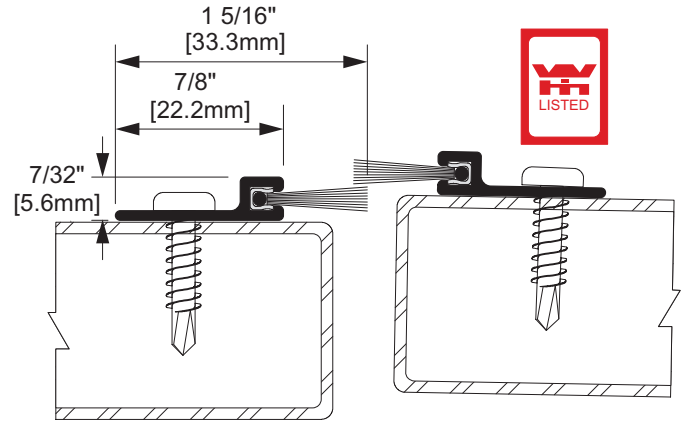
## W- 41

SPRING LOADED MORTISED ASTRAGAL  
CLEAR ANODIZED EXTRUDED ALUMINUM & PILE

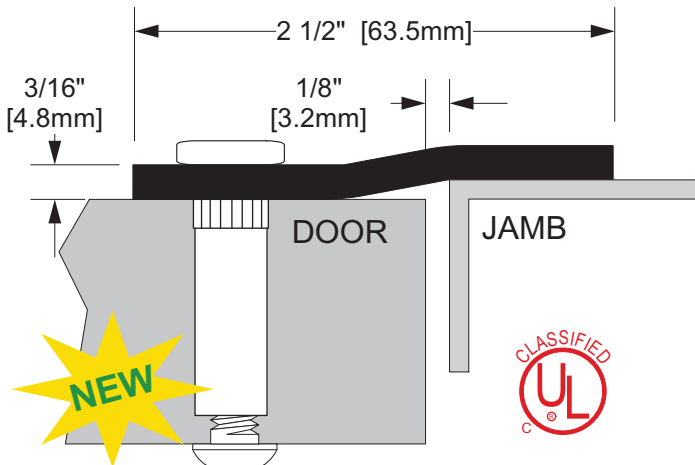
# ASTRAGALS



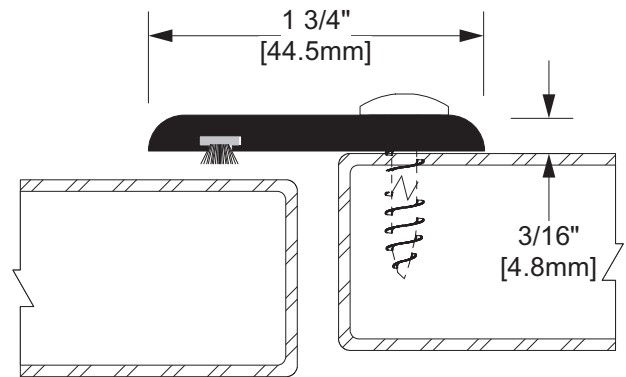
**W-5** CLEAR ANODIZED ALUMINUM AND VINYL



**W-25** CLEAR ANODIZED ALUMINUM AND NYLON BRUSH



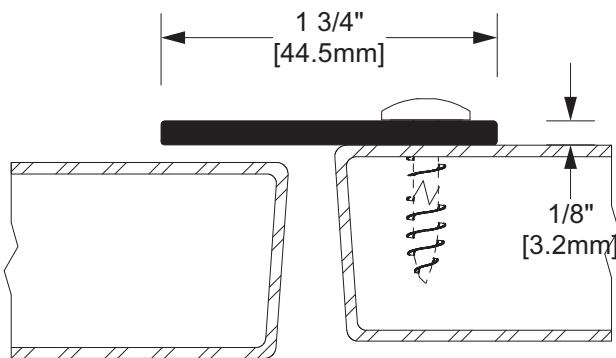
**W-7** SECURITY ASTRAGAL  
PRIMED C.R. STEEL c/w SECURITY SLEEVE



**W-8** EXTRUDED ALUMINUM

**W-8P** EXTRUDED ALUMINUM WITH PILE

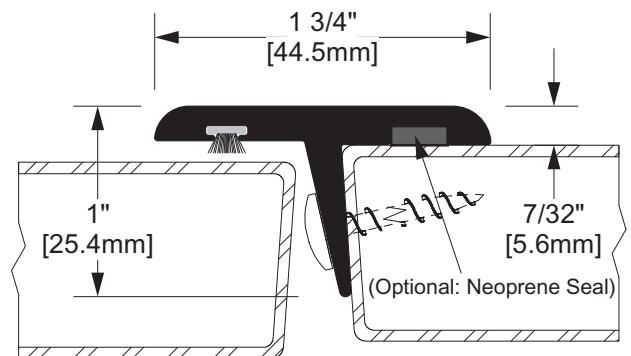
**W-8SL** EXTRUDED ALUMINUM WITH SILICONE



**W-8S** C.R. STEEL WITH CONDITIONED EDGES

**W-8SP** AS ABOVE, PRIMED FINISH

**W-8SS** STAINLESS STEEL, SEE PG. 20

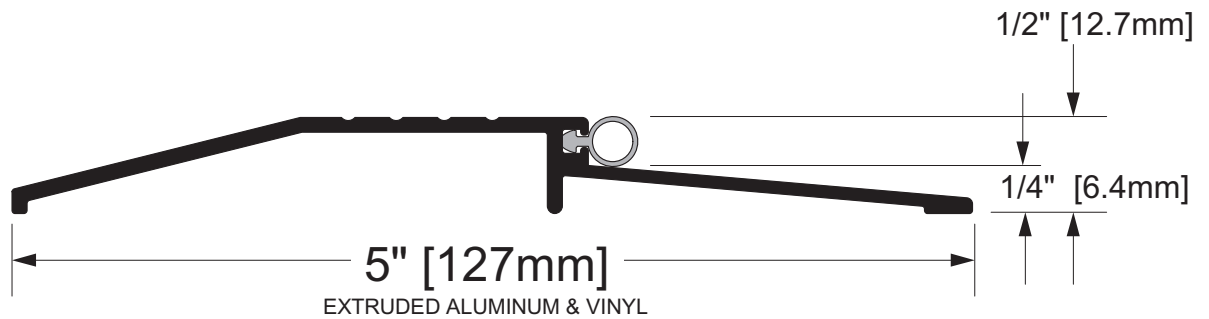


**W-9** EXTRUDED ALUMINUM WITH PILE

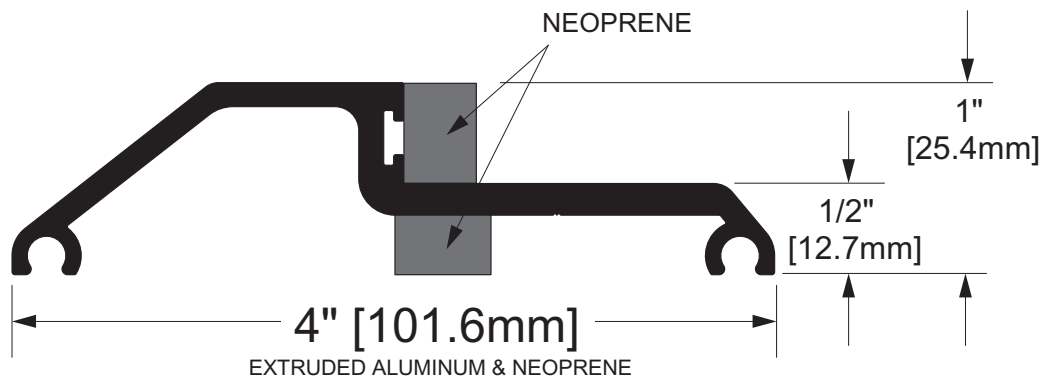
**W-9S** EXTRUDED ALUMINUM WITH SILICONE

SEALED DOOR STC 30 40 50 60	THRESHOLD	AUTOMATIC DOOR BOTTOM	GASKET/SEAL
30 39 43 46	CT-70	CT-50	W-45
30 40 43 44	CT-71	CT-50	W-18
30 39 41 41	CT-72	CT-50	W-15
30 38 42 44	CT-71	CT-51	W-13

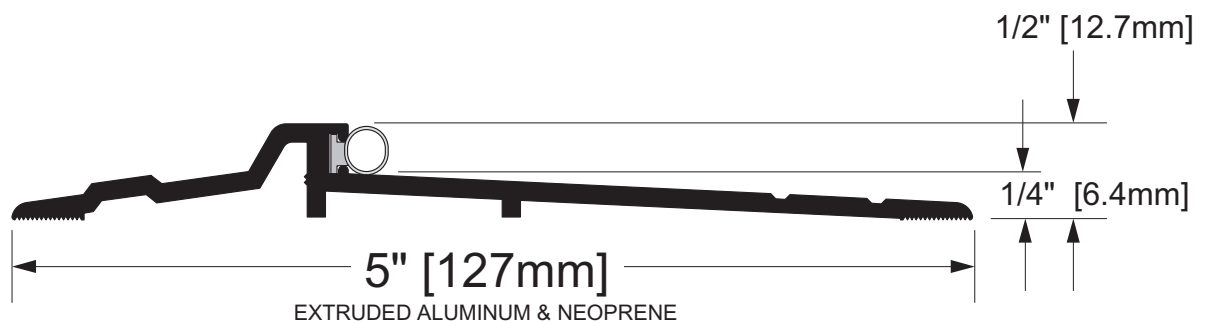
## CT-70



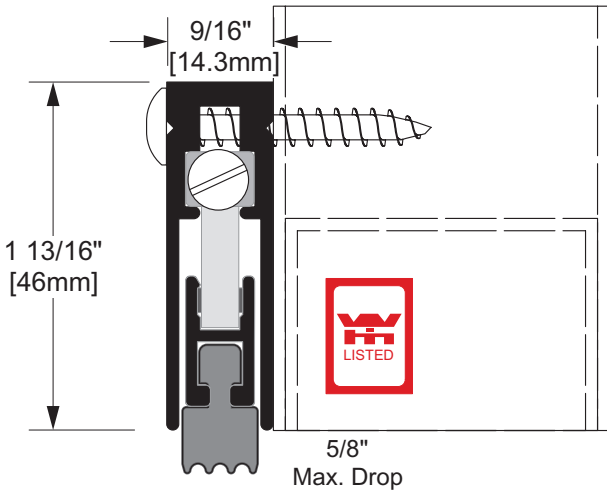
## CT-71



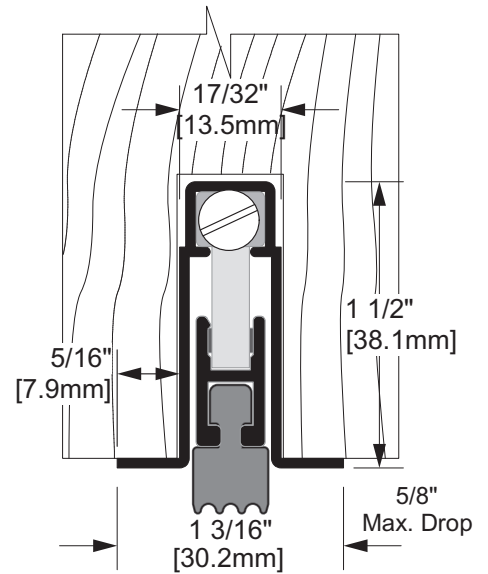
## CT-72



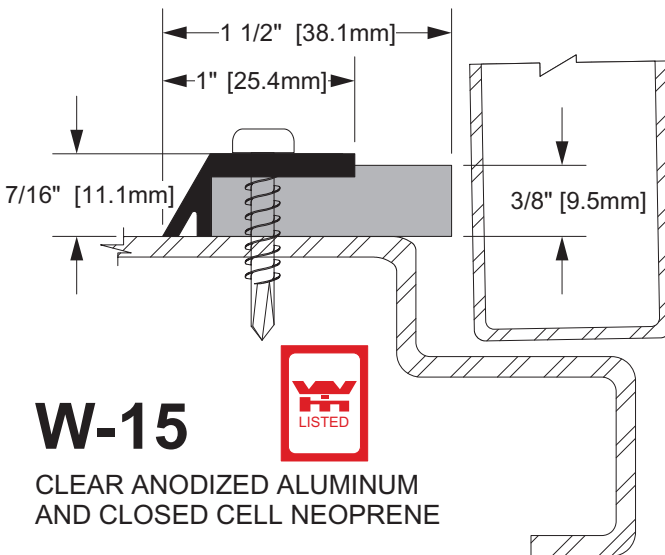
# KNC SOUND CONTROL SYSTEM



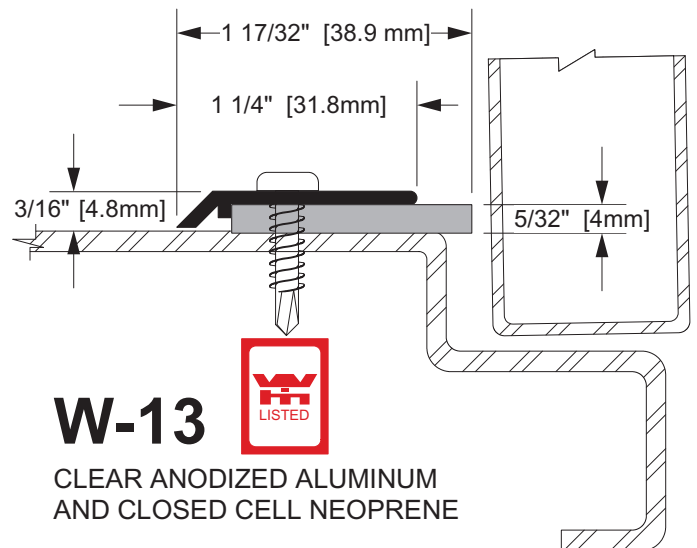
**CT-50** EXTRUDED ANODIZED ALUMINUM & NEOPRENE SEAL OR FELT INSERT



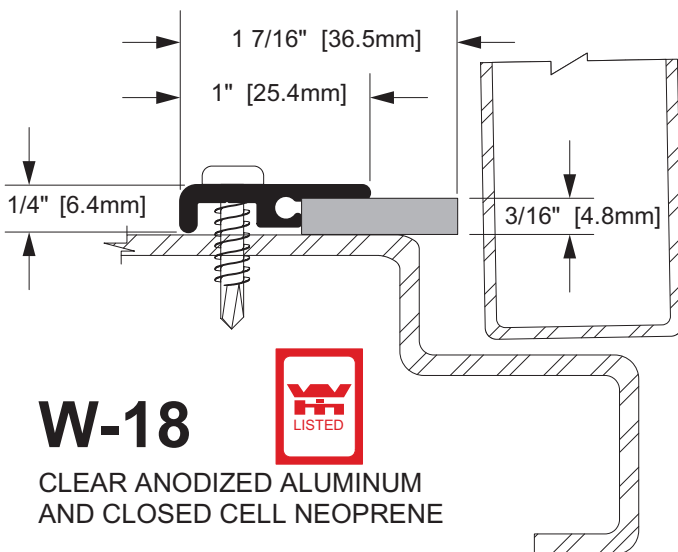
**CT-51** EXTRUDED ANODIZED ALUMINUM & NEOPRENE SEAL OR FELT INSERT



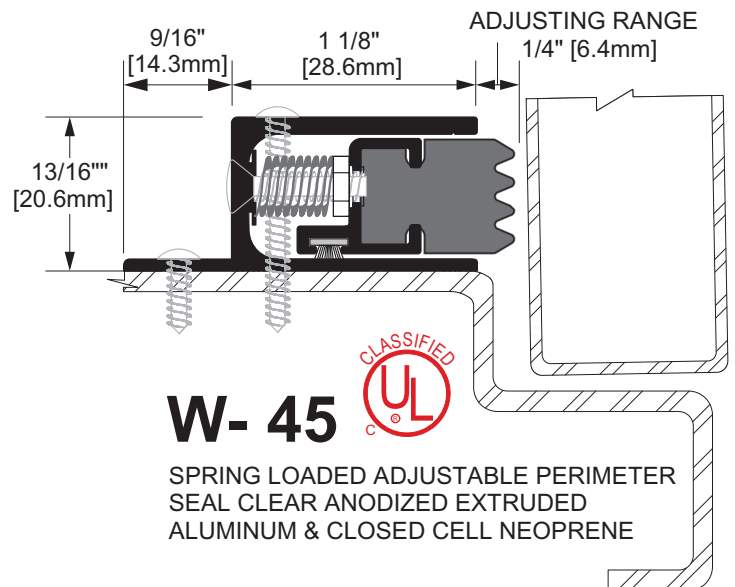
**W-15** CLEAR ANODIZED ALUMINUM AND CLOSED CELL NEOPRENE



**W-13** CLEAR ANODIZED ALUMINUM AND CLOSED CELL NEOPRENE



**W-18** CLEAR ANODIZED ALUMINUM AND CLOSED CELL NEOPRENE



**W-45** SPRING LOADED ADJUSTABLE PERIMETER SEAL CLEAR ANODIZED EXTRUDED ALUMINUM & CLOSED CELL NEOPRENE

## INDEX

PRODUCT #	PAGE#	PRODUCT#	PAGE#	PRODUCT #	PAGE#
CT-1	16	CT-51	22 & 38	W-8	36
CT-10	9	CT-51F	22	W-8P	36
CT-100	17	CT-52	23	W-8S	36
CT-101	17	CT-52B	23	W-8SP	36
CT-103	17	CT-52F	23	W-8SS	20 & 36
CT-104	17	CT-52S	23	W-9	36
CT-106	17	CT-52SS	20	W-11	26
CT-10SS	20	CT-53	23	W-13	28 & 38
CT-11	9	CT-53B	23	W-13S	26
CT-12	9	CT-53F	23	W-13S-2	26
CT-16	16	CT-53S	23	W-13S-SS	20
CT-175	17	CT-54	24	W-13SS	20
CT-20/3	18	CT-54N	24	W-14	28
CT-20/3A	18	CT-55	25	W-15	28 & 38
CT-20/4	18	CT-60	16	W-16N	29
CT-20/4A	18	CT-61	16	W-16P	29
CT-20/5	18	CT-610	6	W-16S	29
CT-20/5A	18	CT-611	6	W-16V	29
CT-21/2	19	CT-612	6	W-17N	29
CT-21/2A	19	CT-64	6	W-17S	29
CT-21/3	19	CT-65	6	W-18	30 & 38
CT-21/3A	19	CT-66	6	W-19	26
CT-21/4	19	CT-67	6	W-20N	30
CT-21/4A	19	CT-68	6	W-20P	30
CT-21/5	19	CT-69	6	W-20S	30
CT-21/5A	19	CT-70	37	W-21	32
CT-22/138	18	CT-704	8	W-22	32
CT-22/138A	18	CT-705	8	W-23	27 & 30
CT-22/3	18	CT-706	8	W-24S	27
CT-22/34A	18	CT-71	37	W-25	36
CT-22/3A	18	CT-72	37	W-25S	27
CT-22/4	18	CT-730	24	W-26-1	27
CT-22/4A	17 & 18	CT-74	12	W-26-2	27
CT-227	19	CT-745	25	W-26-3	27
CT-23	17 & 18	CT-746	25	W-27	30
CT-27	19	CT-747	25	W-28	33
CT-31	16	CT-748	25	W-29	33
CT-32	9	CT-75	12	W-31	33
CT-36	16	CT-76	12	W-32N	31
CT-39	16	CT-80	12	W-32P	31
CT-406	14	CT-804	8	W-32S	31
CT-407	14	CT-805	8	W-33S	27
CT-408	14	CT-806	8	W-34S	27
CT-409	14	CT-807	8	W-35-1	27
CT-40N	7 & 11	CT-808	8	W-35-2	27
CT-40P	7 & 11	CT-81	12	W-35-3	27
CT-40S	7 & 11	CT-83	12	W-37-1	27
CT-410	14	CT-86	12	W-38S	26
CT-410-2	14	CT-87	12	W-40	35
CT-41-1	13 & 14	CT-9	9	W-40M	35
CT-42-1	13 & 14	CT-909	10	W-40P	35
CT-43-1	13 & 14	CT-910	10	W-40V	35
CT-44	14	CT-911	10	W-41	35
CT-44-1	13 & 14	CT-912	10	W-42	34
CT-45	14	CT-913	10	W-43	34
CT-45-1	13 & 14	CT-914	10	W-44	34
CT-46	14	CT-915	10	W-45	34 & 38
CT-47	15	CT-916	10	W-47	31
CT-47-1	13	CT-94	16	W-47S	31
CT-47-1S	13	CT-95	16	W-48	34
CT-47S	15	CT-9SS	20	W-49	31
CT-48	15	W-1 & W-1F	28	W-50S	31
CT-48S	15	W-2 & W-2F	28	W-61	31
CT-49	15	W-3	33	W-66	32
CT-49-1	13	W-4	26	W-87P	33
CT-49S	15	W-5	36	W-88N	33
CT-50	22 & 38	W-6	28	W-88P	33
CT-50F	22			6216	32

# K. N. CROWDER AGENTS

## BRITISH COLUMBIA

**Shoreline Sales Agency Ltd.**

Unit 140-84 North Bend St. Coquitlam, BC V3K 6H1  
Dick Elrick dick@shoresales.ca  
604-889-9322 FAX 604-552-5598

## ALBERTA

**N.H. Collin & Associates**

6149-6 Street SE, Calgary, AB T2H 1L9  
Dean Collin nhcollin@agt.net  
403-243-3422 FAX 403-287-3061

**N.H. Collin & Associates**

#203-15735-114 Ave., Edmonton, AB T5M 2Z3  
Keith Foster nhcedm@telusplanet.net  
780-483-0518 FAX 780-483-0490

## MANITOBA/SASKATCHEWAN

**B.L. Webber**

254 Overdale Street, Winnipeg, MB R3J 2G3  
Brenda Webber bbwebber@mts.net  
204-895-3703 FAX 204-895-3709

## ONTARIO

**D.M.B. Sales Inc.**

Dave Brown downtowndavebrown@rogers.com  
416-801-7776 FAX 519-940-3493  
Mike Crompton mikecrompton@rogers.com  
416-801-6767  
Bob Stillwell rbstilwell@simcoemail.com  
416-801-6775

## QUEBÉC

**ARD**

**Les Agences Réal Demers Inc. (Head Office)**

10800 Racette Avenue, Montréal-Nord, QC H1G 5H6  
Réal Demers AHC realdemers@ard.ca  
Patrick Demers AHC patrickdemers@ard.ca  
Chantal Demers chantaldemers@ard.ca  
Pierre Morin AHC pierremorin@ard.ca  
Daniel Beaudry danielbeaudry@ard.ca  
Charles Richard charlesrichard@ard.ca  
514-387-7515 FAX 514-387-7780

**Ard/Est du Québec (Branch)**

47 Rue Martel, Quebec City, QC G2B 2W6  
Denis Martel AHC denismartel@ard.ca  
481-845-9440 FAX 481-845-9409

**Ard/Estrie & Centre du Québec (Branch)**

1043 Rue Antoine, Canton de Magog, QC J1X 3W2  
Simon Cournoyer AHC simoncournoyer@ard.ca  
819-843-7277 FAX 819-843-2177

**ARD/Région de la Capitale-Nationale (Branch)**

14, Chemin du Lac Bruûlé, Low, QC H0X 2C0  
Norm Labelle normlabelle@ard.ca  
Benoit F. France benoitfrance@ard.ca  
819-843-7277 FAX 819-843-2177

## ATLANTIC PROVINCES

**Atlantic Hardware Consultants Ltd.**

15 Biggs Drive - Unit B  
Riverview, NB E1B 3Y8  
Terry Dolan atlantichardware@rogers.com  
506-387-9100 FAX 506-387-9102

MANUFACTURED BY:

### **K. N. CROWDER MFG. INC.**

1220 BURLOAK DRIVE  
BURLINGTON, ONTARIO, CANADA  
L7L 6B3  
905-315-9788 FAX: 905-315-8090  
TOLL FREE PHONE: 1-866-999-1KNC (1562)

### **K. N. CROWDER INC.**

210 EIGHT STREET SOUTH  
LEWISTON, NEW YORK, U.S.A.  
14092  
716-754-8247



QUALITY SLIDING DOOR HARDWARE

TOLL FREE FAX: 1-800-567-0123

[www.kncrowder.com](http://www.kncrowder.com)

[customerservice@kncrowder.com](mailto:customerservice@kncrowder.com)

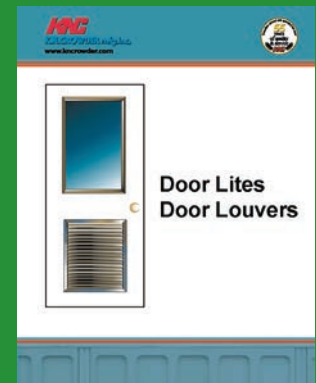
OTHER PRODUCTS BY K. N. CROWDER MFG. INC.



SLIDING DOOR HARDWARE



FOOTGRILLES/FLOOR MATS



DOOR LITES AND LOUVERS