



Architecturally Designed Wall-mount
Sliding Door Hardware for Residential
and Commercial Spaces

METRO is designed to blend seamlessly with any interior décor — from a cosmopolitan postmodern loft, to a space-saving traditional environment — METRO's architecturally focused design delivers a clean, finished look to any interior doorway or room divider.

WM-M250A SERIES

Aluminum Wall-mount System for 250 lb Sliding Doors.

Aluminum wall-mount track, fascia, end caps and hardware for heavy duty single door and bi-parting doors.



Features:

- Low profile fascia and track
- End cap conceals track and fascia
- Etched Aluminum clear and dark bronze finishes
- Track supports up to 250 lbs.
- Quiet 4-wheel ball bearing carriers

Benefits:

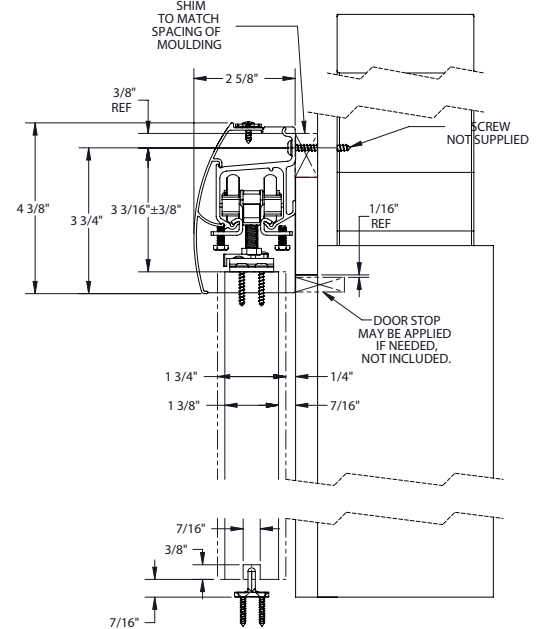
- Space saving solution for interior doorways and room dividers
- Ease of installation
- Architecturally designed fascia snaps easily on wall-mounted track
- End caps with concealed fasteners provide a finished look

Applications:

Residential:	Commercial:
Room divider	Office
Pantry	Healthcare
Closet	Institutional
	Hospitality

- Door thickness: 1" to 1-3/4"
 Load rating: Up to 250 lbs.
 Track material: Single aluminum box track
 Carrier: 4-wheel ball bearing
 Compares to: Pemko 280SWT, Johnson 2610F, 2610FB
 Conforms to: ANSI BHMA A156.14-2007
 Grade 1, D8011, D8681, D8691
 Grade 2, D8012, D8692
 Bi-parting Grade 1, D8711
 Grade 2, D8721

Side Wall-mount



Packaged Sets

SKU	Description	Door Panel Configuration	Pack Qty	Weight (Lb)
WM-M250A-A-4	Track (mill finished), fascia and end caps (anodized etched aluminum clear)	1 x 24" Door	1	10
WM-M250A-A-5	Track (mill finished), fascia and end caps (anodized etched aluminum clear)	1 x 30" Door	1	12
WM-M250A-A-6	Track (mill finished), fascia and end caps (anodized etched aluminum clear)	1 x 36" Door	1	14
WM-M250A-A-8	Track (mill finished), fascia and end caps (anodized etched aluminum clear)	1 x 48" Door	1	18
WM-M250A-A-12	Track (mill finished), fascia and end caps (anodized etched aluminum clear)	2 x 36" Doors	1	22
WM-M250A-B-4	Track (anodized), fascia and end caps (anodized etched aluminum dark bronze)	1 x 24" Door	1	10
WM-M250A-B-5	Track (anodized), fascia and end caps (anodized etched aluminum dark bronze)	1 x 30" Door	1	12
WM-M250A-B-6	Track (anodized), fascia and end caps (anodized etched aluminum dark bronze)	1 x 36" Door	1	14
WM-M250A-B-8	Track (anodized), fascia and end caps (anodized etched aluminum dark bronze)	1 x 48" Door	1	18
WM-M250A-B-12	Track (anodized), fascia and end caps (anodized etched aluminum dark bronze)	2 x 36" Doors	1	22

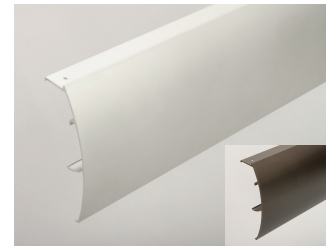
Note: 12' packaged sets come with hardware for 2 sets of doors.

Tracks

SKU	Description	Pack Qty	Weight (Lb)
BK-WMT-A-48	48" Mill finish aluminum wall-mount track	5	18
BK-WMT-A-60	60" Mill finish aluminum wall-mount track	5	23
BK-WMT-A-72	72" Mill finish aluminum wall-mount track	5	26
BK-WMT-A-96	96" Mill finish aluminum wall-mount track	5	35
BK-WMT-A-144	144" Mill finish aluminum wall-mount track	5	53
BK-WMT-B-48	48" Anodized aluminum dark bronze wall-mount track	5	18
BK-WMT-B-60	60" Anodized aluminum dark bronze wall-mount track	5	23
BK-WMT-B-72	72" Anodized aluminum dark bronze wall-mount track	5	26
BK-WMT-B-96	96" Anodized aluminum dark bronze wall-mount track	5	35
BK-WMT-B-144	144" Anodized aluminum dark bronze wall-mount track	5	53



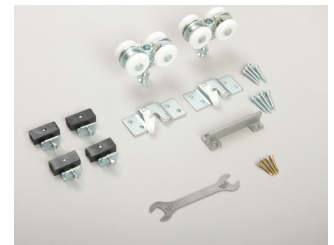
Wall-Mount Track in clear or dark bronze finish



Fascia in clear or dark bronze finish



End Caps in clear or dark bronze finish



Parts Bag

Fascia

SKU	Description	Pack Qty	Weight (Lb)
BK-WMF-MA-48	48" Anodized etched aluminum clear fascia	5	11
BK-WMF-MA-60	60" Anodized etched aluminum clear fascia	5	14
BK-WMF-MA-72	72" Anodized etched aluminum clear fascia	5	15
BK-WMF-MA-96	96" Anodized etched aluminum clear fascia	5	21
BK-WMF-MA-144	144" Anodized etched aluminum clear fascia	5	31
BK-WMF-MB-48	48" Anodized etched aluminum dark bronze fascia	5	11
BK-WMF-MB-60	60" Anodized etched aluminum dark bronze fascia	5	14
BK-WMF-MB-72	72" Anodized etched aluminum dark bronze fascia	5	15
BK-WMF-MB-96	96" Anodized etched aluminum dark bronze fascia	5	21
BK-WMF-MB-144	144" Anodized etched aluminum dark bronze fascia	5	31

End Caps

SKU	Description	Pack Qty	Weight (Lb)
WMEC-MPR-A	Anodized etched aluminum clear end cap pair	10	2
WMEC-MPR-B	Anodized etched aluminum dark bronze end cap pair	10	2

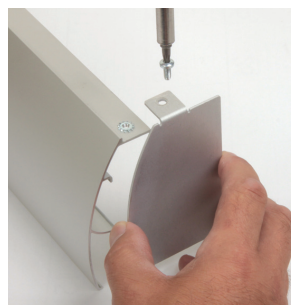
Parts Bag

SKU	Description	Pack Qty	Weight (Lb)
PB-WM-250	Hardware for one door	10	12

Ease of Installation



Step 1: Install wall-mount track.



Step 2: Secure end caps to fascia.



Step 3: Snap fascia onto wall-mount track.

Hardware Contents

Packaged Sets - Aluminum Clear	WM-M250A-A-4	WM-M250A-A-5	WM-M250A-A-6	WM-M250A-A-8	WM-M250A-A-12
Wall-mount Track - WMT-A	48"	60"	72"	96"	144"
Wall-mount Fascia - WMF-MA	48"	60"	72"	96"	144"
End Cap Pair - WMEC-MPR-A	1 Pair	1 Pair	1 Pair	1 Pair	1 Pair
4-Wheel Ball Bearing Carrier - 1820	2	2	2	2	4
Quick Release Top-mount Plate - 1800-DBA	2	2	2	2	4
Floor Guide - 1915	1	1	1	1	2
Door Stop - 0815	4	4	4	4	8
Wrench - 8710	1	1	1	1	1
Fasteners <i>(Except wall-mount track fasteners)</i>	Yes	Yes	Yes	Yes	Yes

Packaged Sets - Dark Bronze	WM-M250A-B-4	WM-M250A-B-5	WM-M250A-B-6	WM-M250A-B-8	WM-M250A-B-12
Wall-mount Track - WMT-B	48"	60"	72"	96"	144"
Wall-mount Fascia - WMF-MB	48"	60"	72"	96"	144"
End Cap Pair - WMEC-MPR-B	1 Pair	1 Pair	1 Pair	1 Pair	1 Pair
4-Wheel Ball Bearing Carrier - 1820	2	2	2	2	4
Quick Release Top-mount Plate - 1800-DBA	2	2	2	2	4
Floor Guide - 1915	1	1	1	1	2
Door Stop - 0815	4	4	4	4	8
Wrench - 8710	1	1	1	1	1
Fasteners <i>(Except wall-mount track fasteners)</i>	Yes	Yes	Yes	Yes	Yes

Parts Bag	PB-WM-250
4-Wheel Ball Bearing Carrier - 1820	2
Quick Release Top-mount Plate - 1800-DBA	2
Floor Guide - 1915	1
Door Stop - 0815	4
Wrench - 8710	1
Fasteners	Yes

End Caps	WMEC-MPR-A	WMEC-MPR-B
Finish	Aluminum Clear	Dark Bronze
End Cap Pair	1 Pair	1 Pair
Fasteners	Yes	Yes



KNAPE & VOGT

2700 Oak Industrial Dr. NE
 Grand Rapids, MI 49505-6026 USA
 1.800.253.1561 | 616.459.3311
 Fax: 877.636.3290
 www.kv.com