

TANGENT FOLDING STANDARD 305

E A C H D O O R W E I G H T M A X 8 0 k g

EXTERNAL FOLDING DOORS TOP HUNG TIMBER OR METAL DOORS

APPLICATION

- ▶ For heavy duty industrial folding doors where weatherproofing to the head and sill of the opening may be required.
- ▶ To accommodate different building designs leaves can fold to one or both sides of the opening and can be stacked behind a reveal if required.
- ▶ To cover any width of opening any number of folding units can be used.
- ▶ Where doors are fitted externally, a canopy is recommended.

DOOR SPECIFICATION

305

For individual doors:

Max Door Height	4500mm
Max Door Weight	80 kg
Max Leaf Width	900mm
Door Thickness	45-55mm

Folding units of two, four, six or eight leaves can be hinged to post. Access doors should either be a separate independent swing door hinged to post or a wicket door in one of the folding leaves.

Floating units should always consist of an even number of leaves in units of four, six or eight.

Clearance between leaves to be 2mm minimum.

Door leaves should be constructed to provide secure fixing for hangers, hinges and guides and can either be flush, panelled or glazed.

GEAR SPECIFICATION

Track:	305 (3mm thickness)
Material:	galvanised steel
Standard lengths:	1800mm, 2000mm, 2500mm, 3000mm, 4000mm and 6000mm.

Brackets:

face fixing	1A/305	aluminium alloy pressure die casting
soffit fixing	3A/305	aluminium alloy pressure die casting

Brackets for special applications are available (see overleaf).

Fix at every 900mm centres (maximum) reducing to 600mm for heavier doors.

Fix additional bracket where folding units stack.

Hangers:

Intermediate hanger	62C
End hanger	63C

Hangers are fitted with steel wheels on maintenance free sealed for life precision ball bearings. Vertical adjustment is simple and positive.

Guides:

Intermediate guide	67C/97
End guide	68C/97

Hinges:

Back-flap	65C
-----------	-----

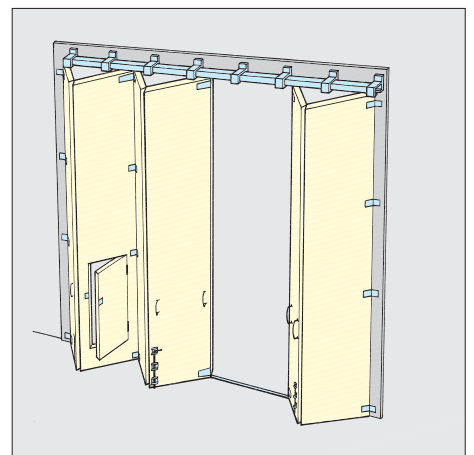
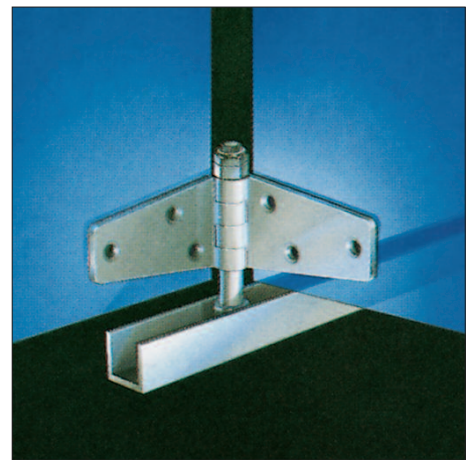
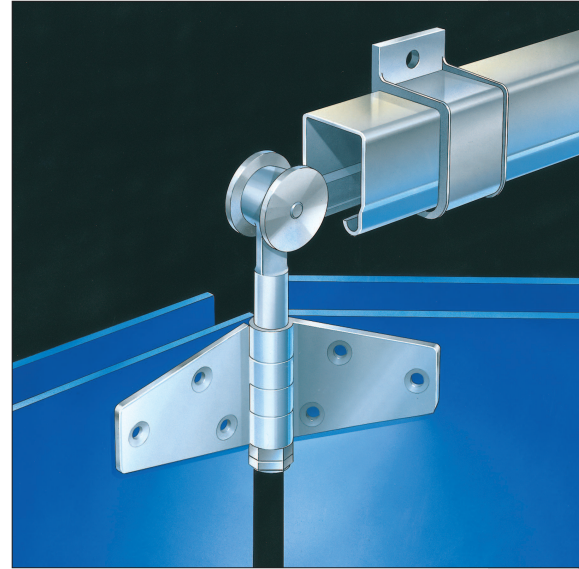
On leaves up to 3300mm high fit 3 hinges, leaves above 3300mm fit 4 hinges.

All steel parts to hangers, guides and hinges electro-zinc plated.

Channel 97 galvanised steel

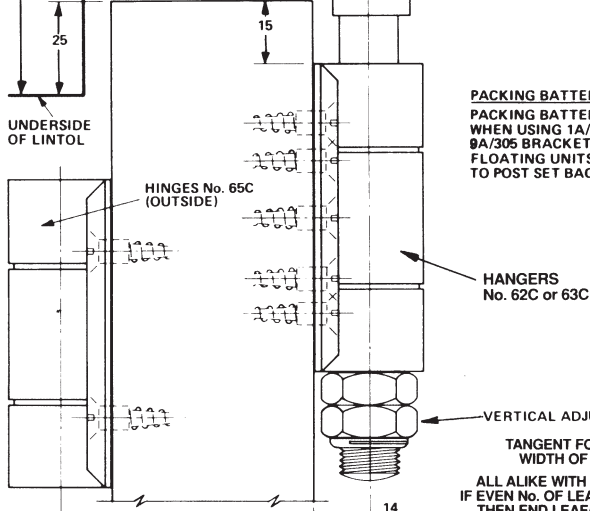
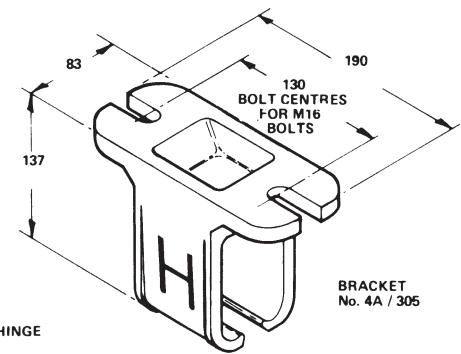
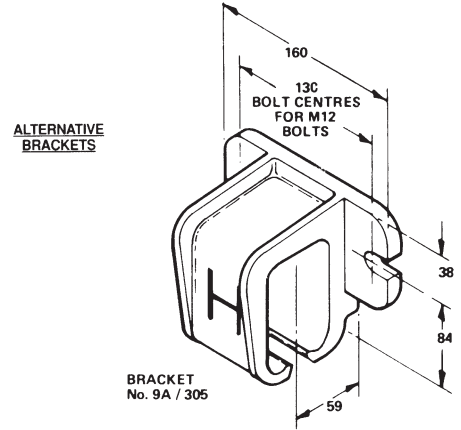
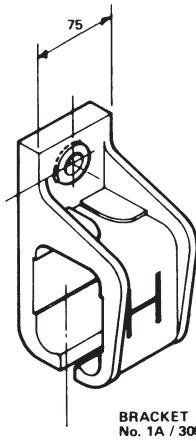
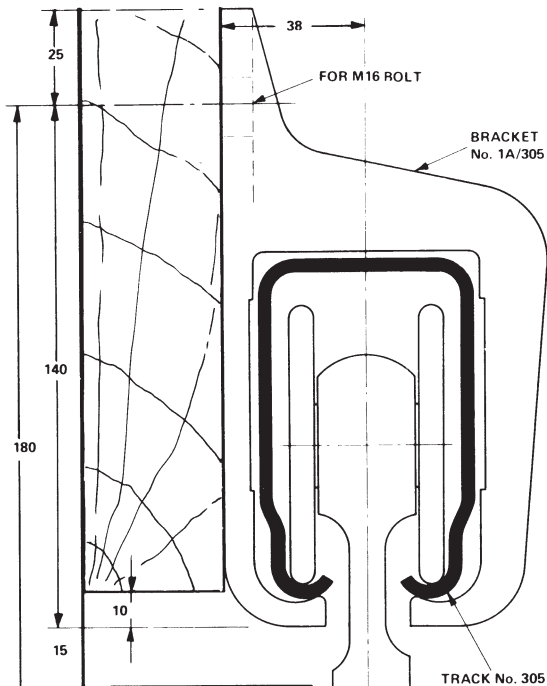
Standard lengths correspond with standard track lengths. Pre-drilled for lugging into concrete and fitting with drainage funnel.

Accessories Bow handles, Flush Pulls, Flush Bolts and Locks.

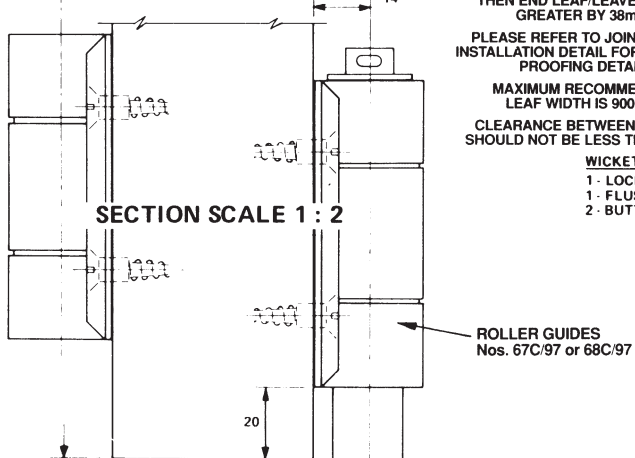


Standard Application

TANGENT FOLDING STANDARD 305



PACKING BATTEN REQUIREMENTS
 PACKING BATTEN IS 16 LESS THAN DOOR THICKNESS WHEN USING 1A/305 BRACKETS AND 35 LESS FOR 9A/305 BRACKETS. INCREASE BATTEN BY 10 WHERE FLOATING UNITS ARE REQUIRED OR WHERE DOORS HINGE TO POST SET BACK BEHIND DEEP REVEALS.



TANGENT FOLDING 305
 WIDTH OF LEAVES:
 ALL ALIKE WITH END SWINGER, IF EVEN No. OF LEAVES IN ONE UNIT THEN END LEAF/LEAVES TO BE GREATER BY 38mm.
 PLEASE REFER TO JOINERY AND INSTALLATION DETAIL FOR WEATHER PROOFING DETAIL.
 MAXIMUM RECOMMENDED LEAF WIDTH IS 900mm.
 CLEARANCE BETWEEN LEAVES SHOULD NOT BE LESS THAN 2mm.
WICKET GEAR
 1 - LOCK 444
 1 - FLUSH PULL 414
 2 - BUTTS No. 41

