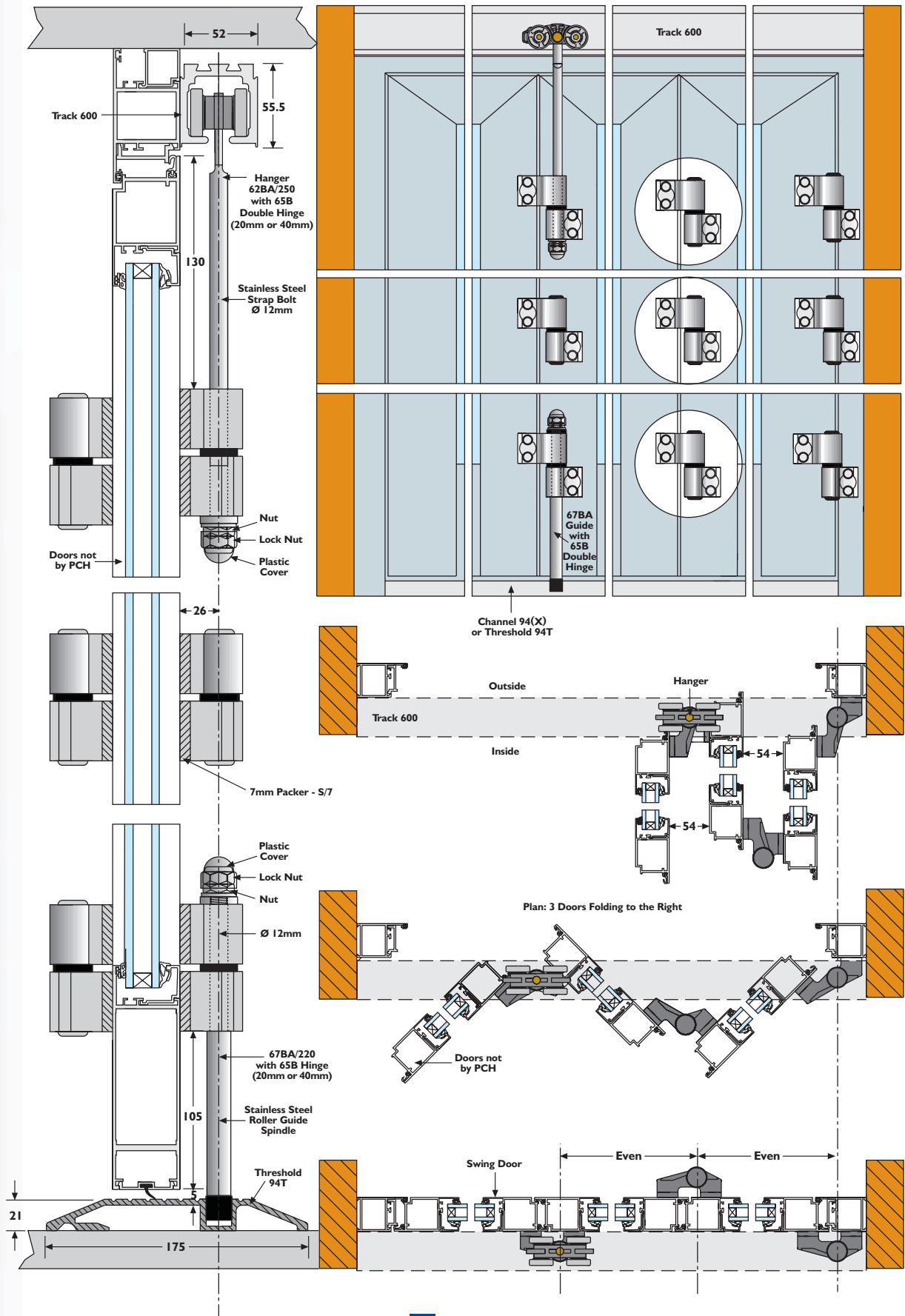




PACER EXTERIOR ENDFOLD FOR ALUMINIUM DOORS



CAPACITY

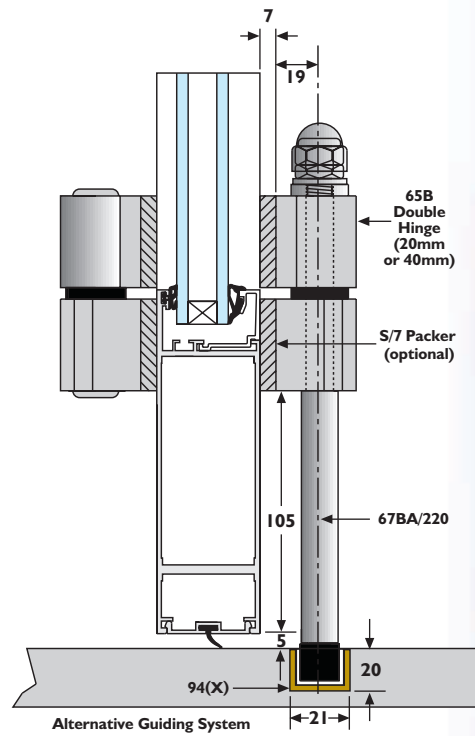
Max. door weight: 65kg
 Max. door height: 3000mm
 Max. door width: 900mm
 Door thickness: 35mm-50mm

APPLICATIONS

Top-hung Pacer gear for end folding exterior doors in aluminium. Pacer Endfold offers four-wheeled hangers with an offset option to cover a wide range of residential and commercial applications. In applications with an even number of leaves folding left and right meeting in the centre of the opening, an offset hanger is required.

DOOR TYPES

Pacer Exterior Endfold is suitable for both residential and commercial aluminium doors. **Fixing components are not supplied as standard for aluminium doors.**



TECHNICAL INFORMATION

Track:	Aluminium Available in 2000mm, 2500mm, 3000mm, 3500mm, 4000mm and 6000mm lengths
Brackets:	Face fix (fixed at 500mm intervals) Joining track
*Hangers:	Intermediate hanger for aluminium doors with no hinge 148mm/250mm strapbolt End hanger for aluminium doors with no hinge 104mm/205mm strapbolt Offset end hanger for all doors with no hinge 114mm strapbolt
*Guides:	Intermediate guide for aluminium doors with no hinge 150mm/220mm spindle End guide for aluminium doors with no hinge 110mm/180mm spindle
Guide Channel:	Brass Aluminium Aluminium threshold/guide channel
† Hinges:	20mm single hinge for timber doors 20mm double hinge for timber doors 40mm single hinge for timber doors 40mm double hinge for timber doors 20-40mm double hinge for timber doors
Accessories:	Flush pull Flush bolts Narrow flush bolt and keep Aluminium door mounting kit 7mm packer (optional, depending on frame and track layout)

600 Squared Joint Mitred Joint

IB	IBX		
		62BA/148	62BA/250
		63BA/104	63BA/205
		63BOA/114	63BOA/114
		67BA/150	67BA/220
		68BA/110	68BA/180

94
 94X
 94T
 65B/20/1
 65B/20
 65B/40/1
 65B/40
 65B/20-40

400
 333/454
 F3715 & F3734
 60B
 S/7



Hinges for hangers and guides must be ordered separately. Use a single hinge for end hangers and guides, double hinge for intermediate hangers and guides.

* All with stainless steel strapbolt/spindle.

† For aluminium doors use in conjunction with a 60B mounting kit. Consult with PCH Technical Department for extrusion compatibility.