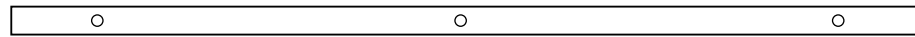
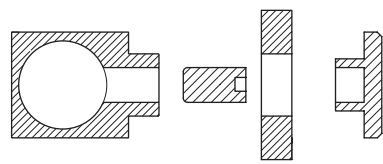


1 Set sliding door fittings **Flatec I**

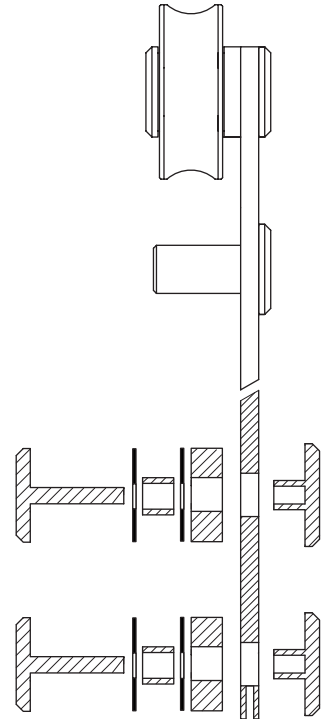
2 Guide rail



3 Door stoppers

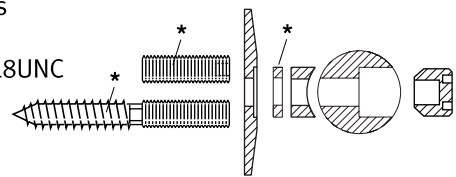


4 Trolley complete



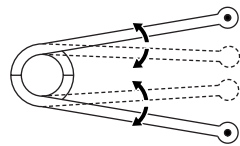
5 Wall fixtures

5/16" -18UNC

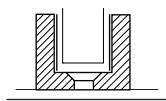


(without screws and dowels, at construction site)
* not included in scope of delivery.

6 Special tool



7 Bottom guide



(without dowels and screws, at construction site)

Set Flatec I Art. No.	Set / Each						
	1	2	3	4	5	6	7
USU44-1800EF	1	2	2	3	1	1	
USU44-2100EF	1	2	2	4	1	1	
USU44-2300EF	1	2	2	4	1	1	
USU44-2540EF	1	2	2	4	1	1	

Beyerle US L.L.C., ABP-Beyerle, it's subsidiaries and agents are not responsible or liable for damage or injury to any persons or property due to improper installation of it's products.
All liabilities reside solely with the installer.

Beyerle US L.L.C.

Beyerle US L.L.C.

1294 Logan Circle, Atlanta, GA 30318

Toll Free: Phone (877) 333-2620, Fax (877) 202-2563, www.beyerle-us.com, info@beyerle-us.com



Attention



Screw on



Screw on



Screw on



Loosen / Tighten



Install



At right angle



Drill



Dowels



Adjust Set



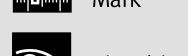
Level



Perpendicular



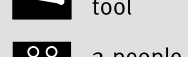
Measure Mark



Visual inspection



Special-tool



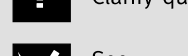
2 people required



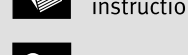
Measure



Clarify questions



See instructions

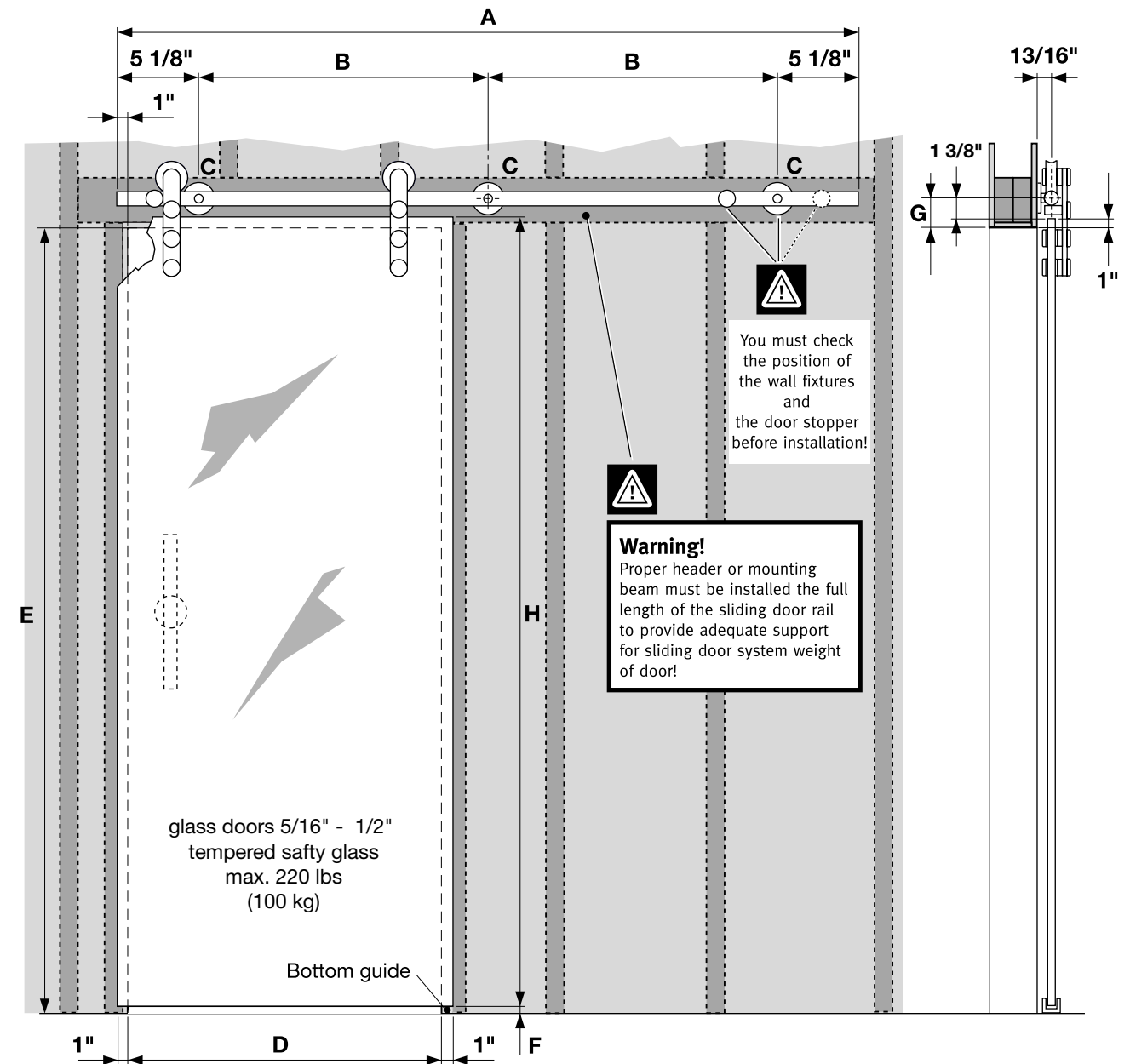


Secure

Installation instructions

Sliding door fittings **Flatec I**

for glass doors (5/16" - 1/2" thickness)



Complete-sets (standard model for 5/16" - 1/2" glass doors)

Set Flatec I Art. No.	A inch	B inch	C Each	D inch	E max. inch	F inch	G inch	H max. inch (H = E - F + 1")
USU44-1800EF	70 7/8"	30 5/16"	3	29 1/2" - 35 7/16"	98 7/16"	1/4" - 3/8"	2 3/8"	99 1/8"
USU44-2100EF	82 11/16"	24 1/8"	4	35 13/16" - 39 3/8"	98 7/16"	1/4" - 3/8"	2 3/8"	99 1/8"
USU44-2300EF	90 9/16"	26 3/4"	4	39 3/4" - 44 1/16"	98 7/16"	1/4" - 3/8"	2 3/8"	99 1/8"
USU44-2540EF	100"	29 15/16"	4	44 1/2" - 49 3/16"	98 7/16"	1/4" - 3/8"	2 3/8"	99 1/8"

Right to make technical changes reserved - **Dimensions in inches** - Version 04.2008
© by ABP-Beyerle GmbH

Beyerle US

USU44-USA

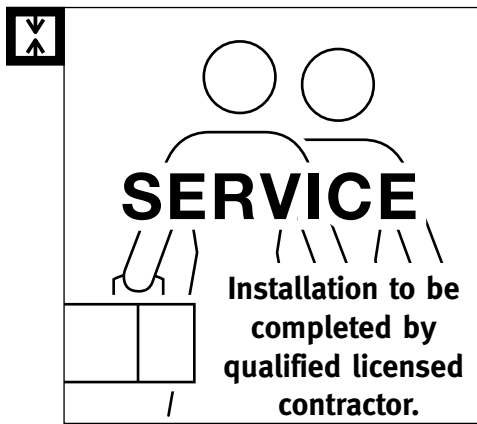


Fig. 1

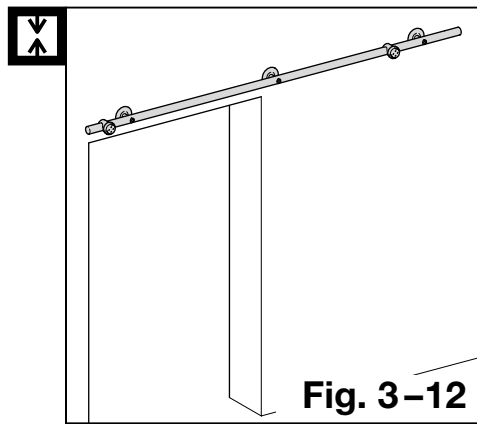


Fig. 3-12

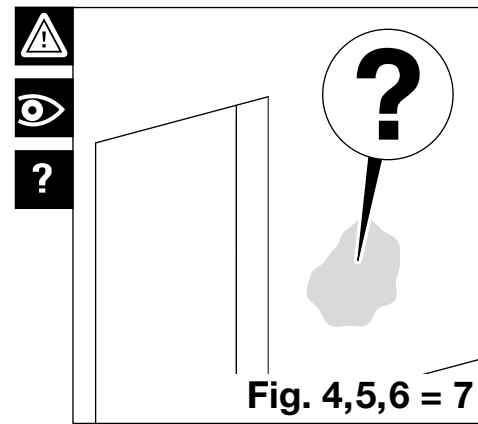


Fig. 4,5,6 = 7

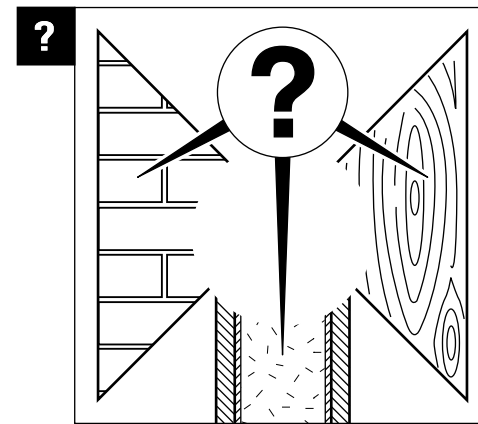


Fig. 4

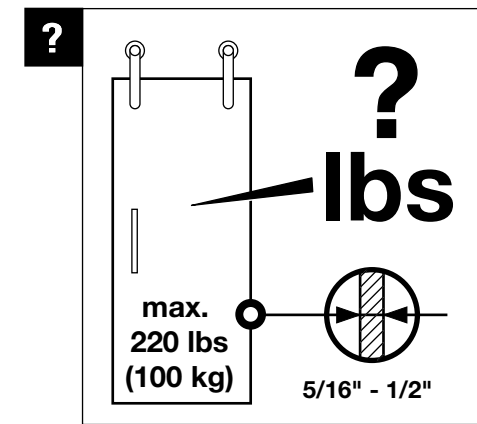


Fig. 5

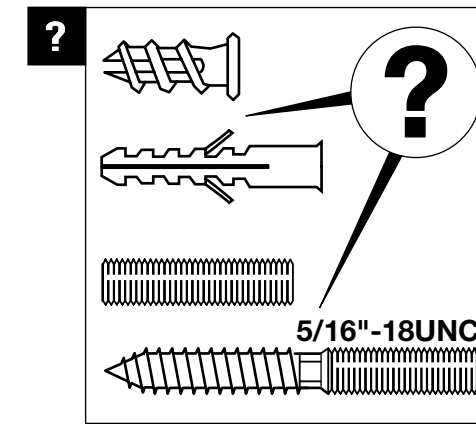


Fig. 6

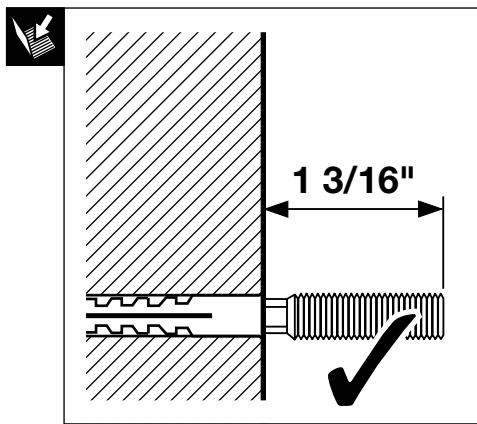


Fig. 7

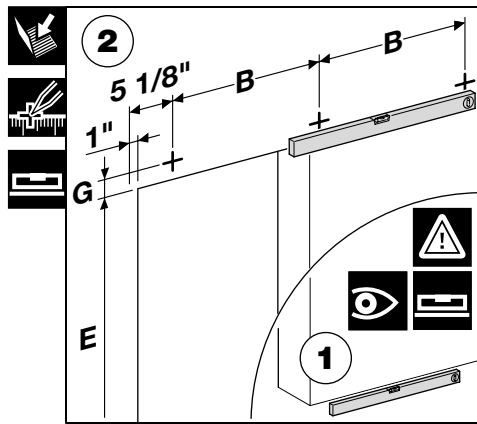


Fig. 8

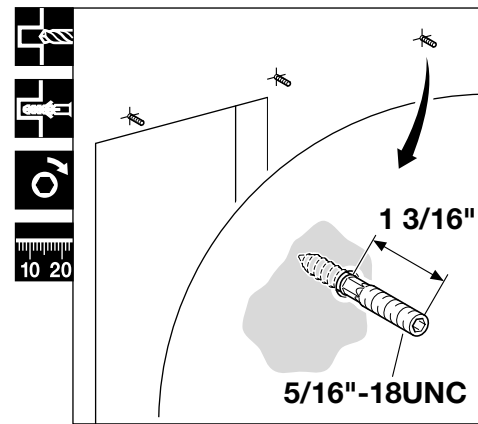


Fig. 9

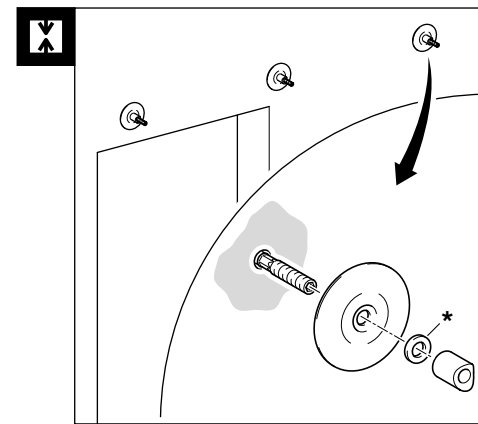


Fig. 10

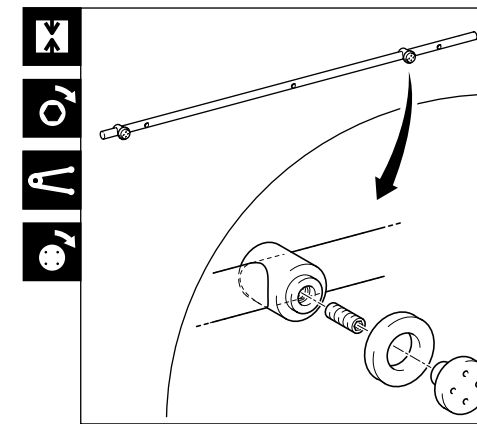


Fig. 11

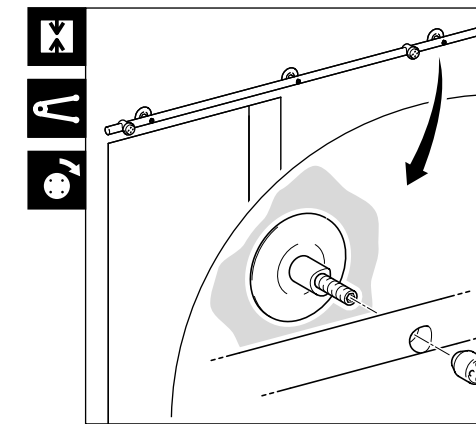


Fig. 12

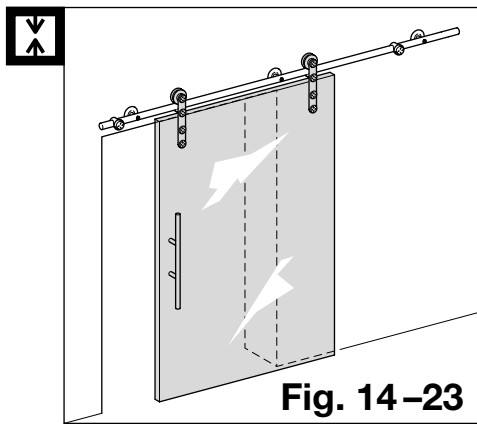


Fig. 13

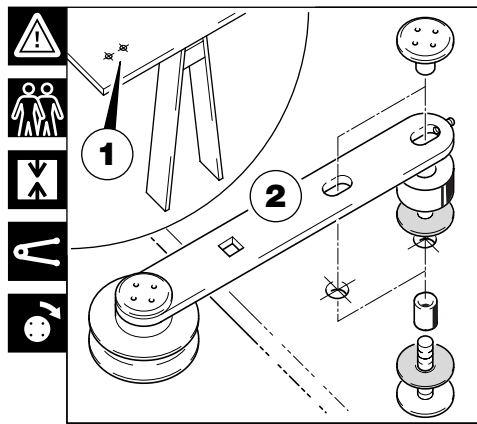


Fig. 14

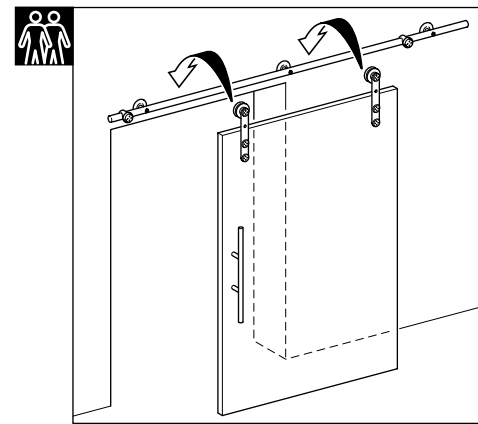


Fig. 15

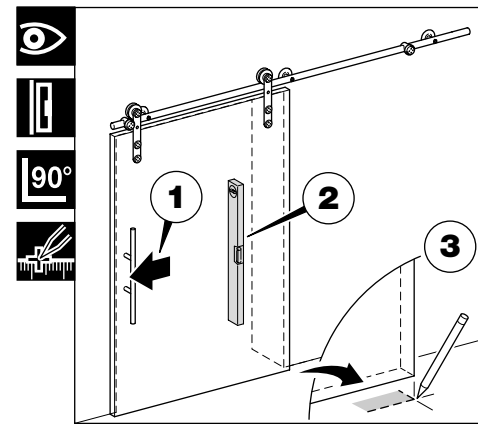


Fig. 16

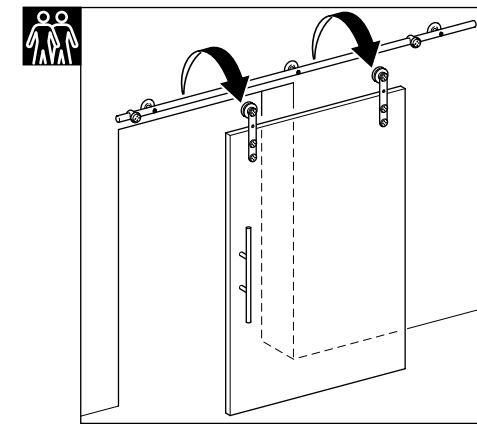


Fig. 17

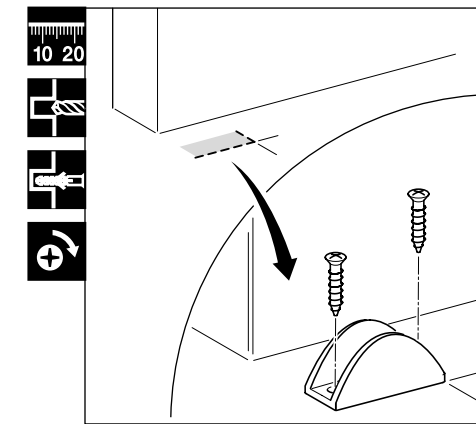


Fig. 18

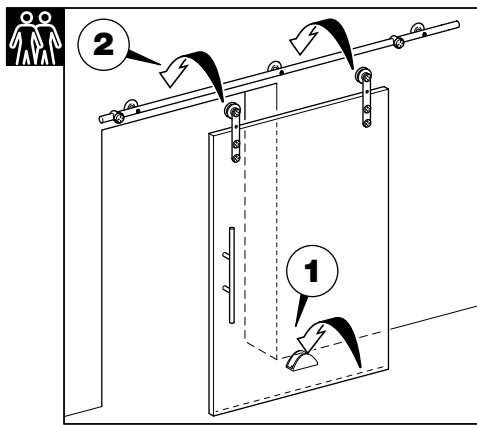


Fig. 19

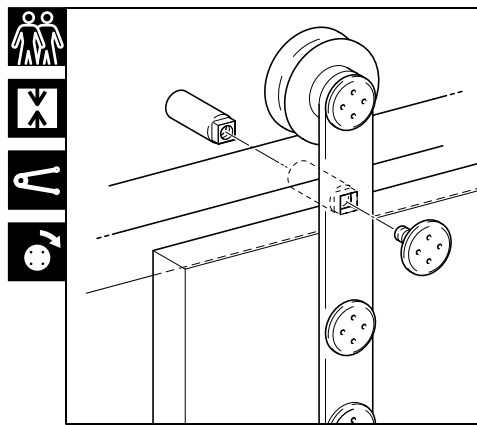


Fig. 20

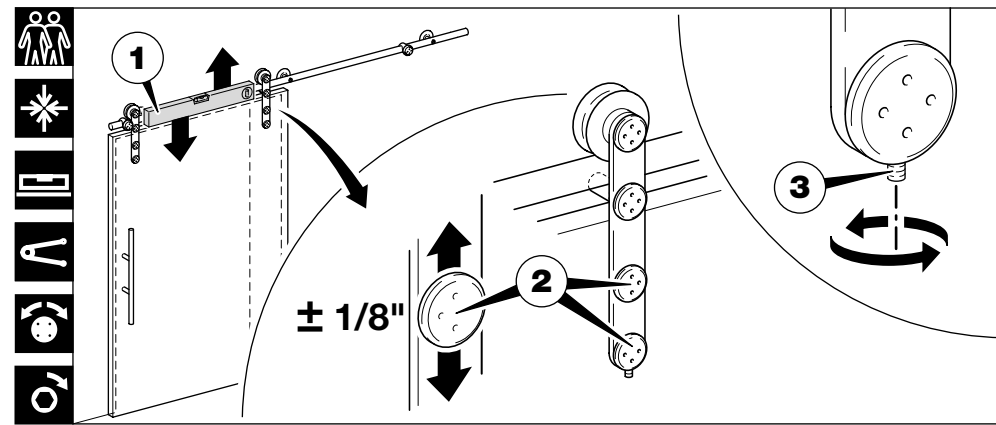


Fig. 21

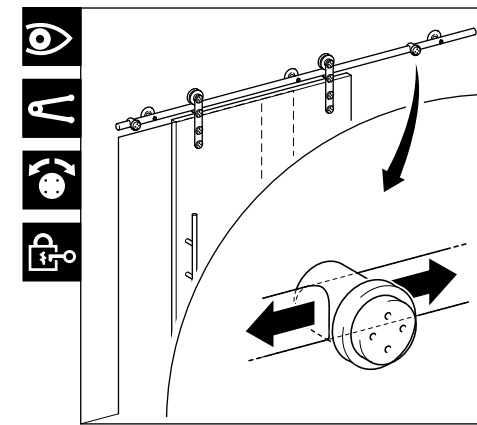


Fig. 22

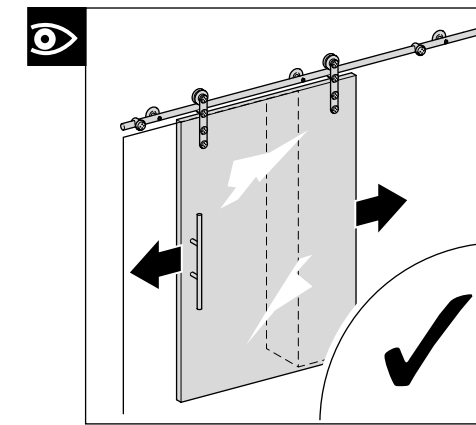


Fig. 23