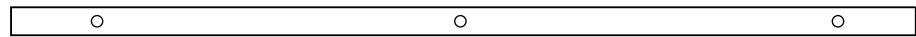
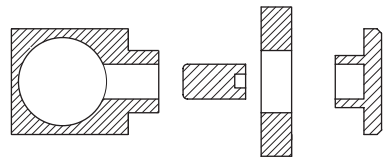


1 Set sliding door fittings **Flatec II**

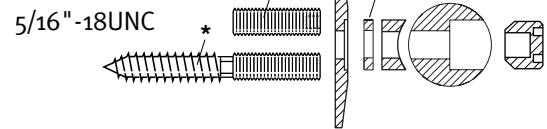
2 Guide rail



3 Door stoppers

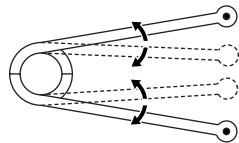


5 Wall fixtures

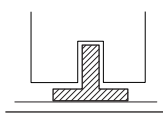


(without screws and dowels, at construction site)
* not included in scope of delivery.

6 Special tool

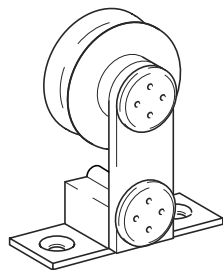
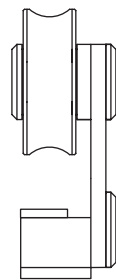


7 Bottom guide



(without dowels and screws, at construction site)

4 Trolley complete (without screws, at construction site)



⚠ Comply with all general safety regulations when installing the sliding door fittings!

Installation to be completed by qualified licensed contractor.

Be sure to tighten all screw connections one week after starting to use the sliding door fittings!

Never use scouring agents to clean the sliding door fittings; rather use commercially available stainless-steel cleaners!

Set Flatec II Art. No.	Set / Each						
	1	2	3	4	5	6	7
USU55-1800EF	1	2	2	3	1	1	
USU55-2100EF	1	2	2	4	1	1	
USU55-2300EF	1	2	2	4	1	1	
USU55-2540EF	1	2	2	4	1	1	

Beyerle US L.L.C., ABP-Beyerle, its subsidiaries and agents are not responsible or liable for damage or injury to any persons or property due to improper installation of its products. All liabilities reside solely with the installer.

Beyerle US L.L.C.

Beyerle US L.L.C.

1294 Logan Circle, Atlanta, GA 30318

Toll Free: Phone (877) 333-2620, Fax (877) 202-2563, www.beyerle-us.com, info@beyerle-us.com



Attention



Screw on



Screw on



Screw on



Loosen / Tighten



Install



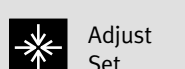
At right angle



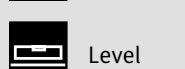
Drill



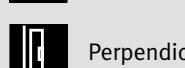
Dowels



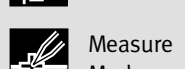
Adjust Set



Level



Perpendicular



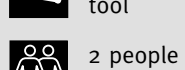
Measure Mark



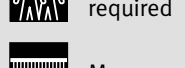
Visual inspection



Special-tool



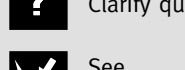
2 people required



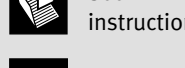
Measure



Clarify questions



See instructions

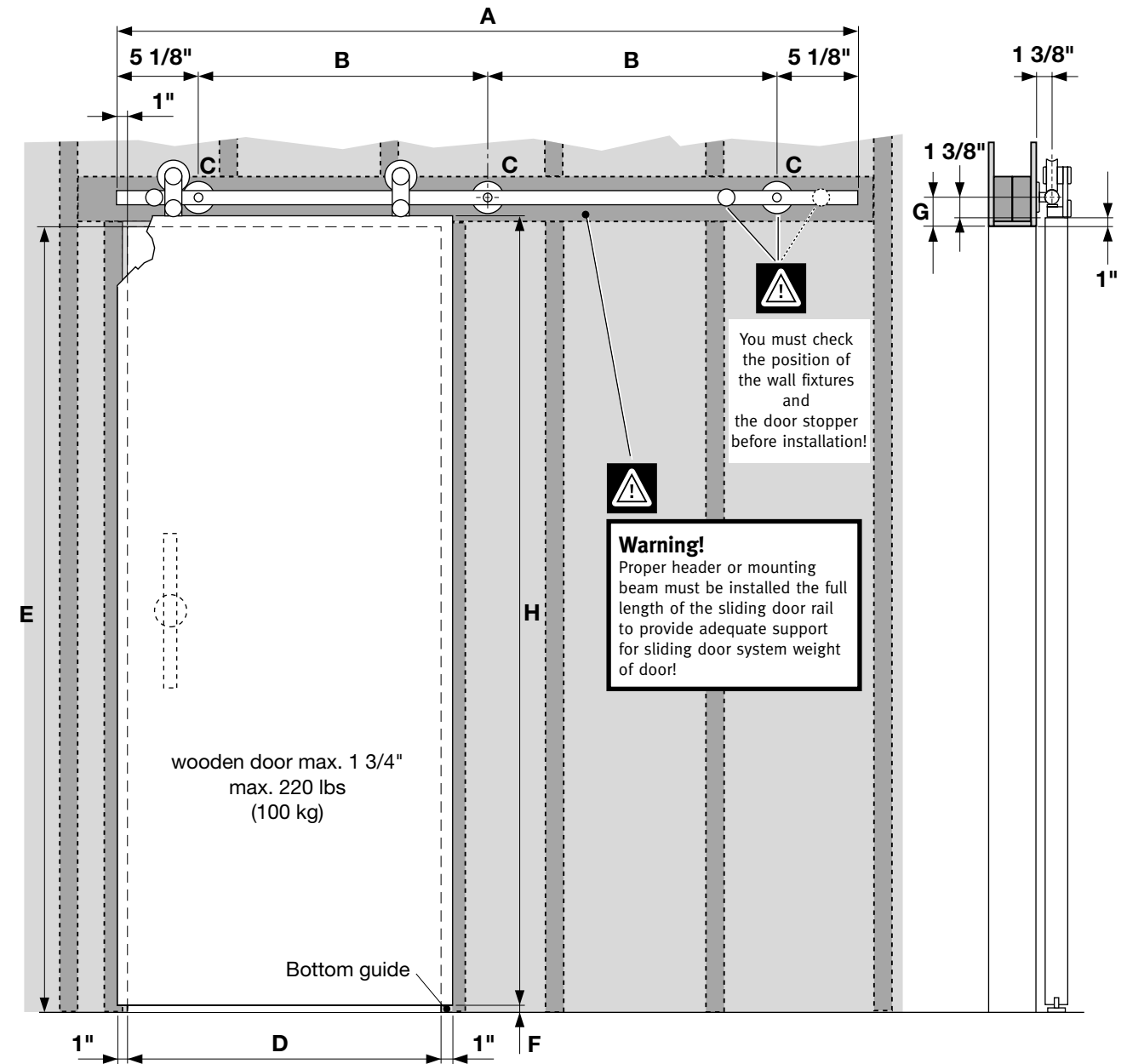


Secure

Installation instructions

Sliding door fittings **Flatec II**

for wooden doors (max. 1 3/4" thickness)



Complete-sets (standard model)

Set Flatec II Art. No.	A inch	B inch	C Each	D inch	E max. inch	F inch	G inch	H max. inch (H = E - F + 1")
USU55-1800EF	70 7/8"	30 5/16"	3	29 1/2" - 35 7/16"	98 7/16"	1/4" - 3/8"	2 3/8"	99 1/8"
USU55-2100EF	82 11/16"	24 1/8"	4	35 13/16" - 39 3/8"	98 7/16"	1/4" - 3/8"	2 3/8"	99 1/8"
USU55-2300EF	90 9/16"	26 3/4"	4	39 3/4" - 44 1/16"	98 7/16"	1/4" - 3/8"	2 3/8"	99 1/8"
USU55-2540EF	100"	29 15/16"	4	44 1/2" - 49 3/16"	98 7/16"	1/4" - 3/8"	2 3/8"	99 1/8"

Right to make technical changes reserved - Dimensions in inches - Version 04.2008
© by ABP-Beyerle GmbH

Beyerle US

USU55-USA

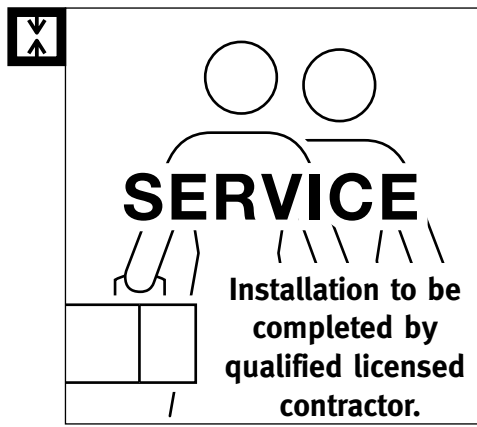


Fig. 1

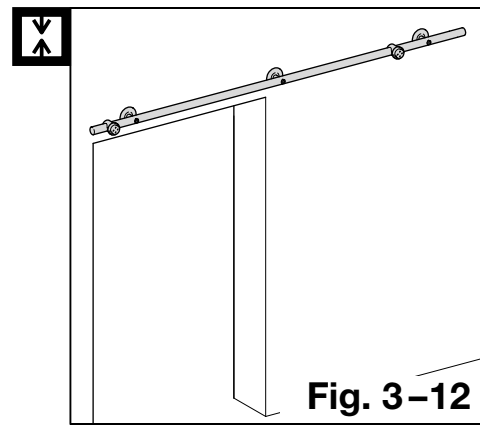


Fig. 2

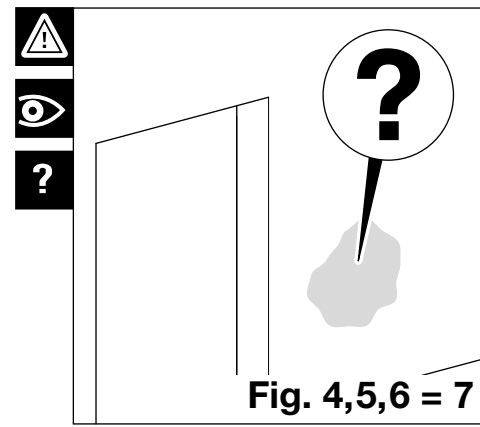


Fig. 3

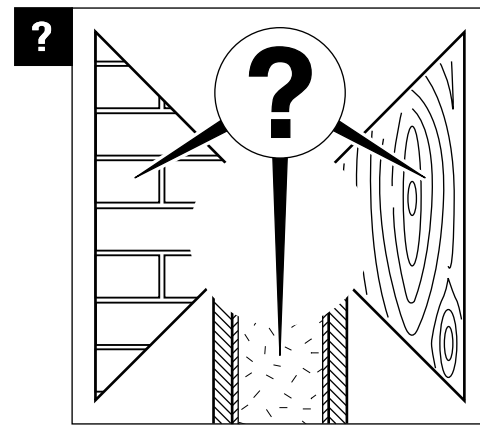


Fig. 4

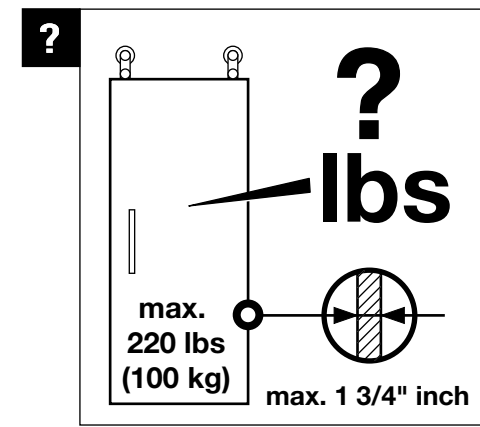


Fig. 5

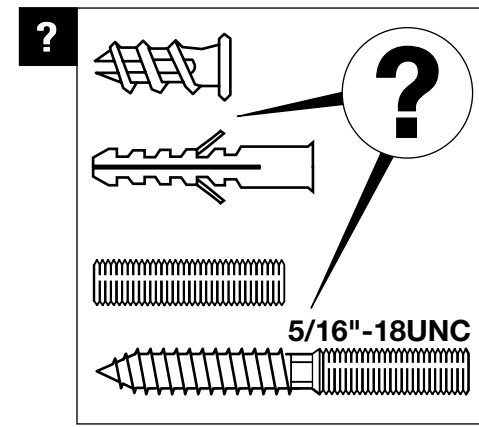


Fig. 6

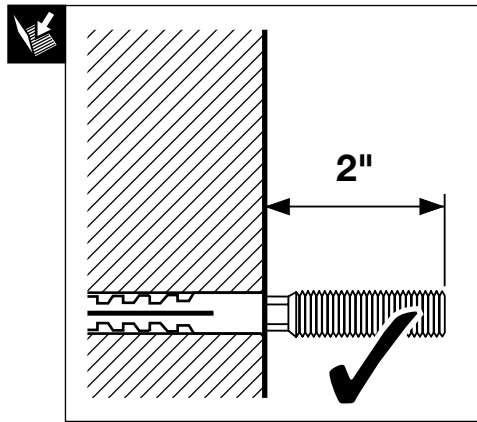


Fig. 7

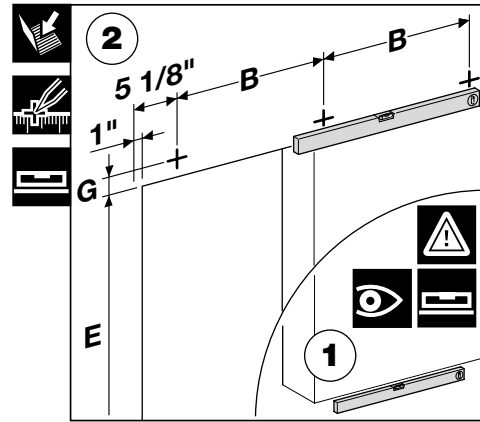


Fig. 8

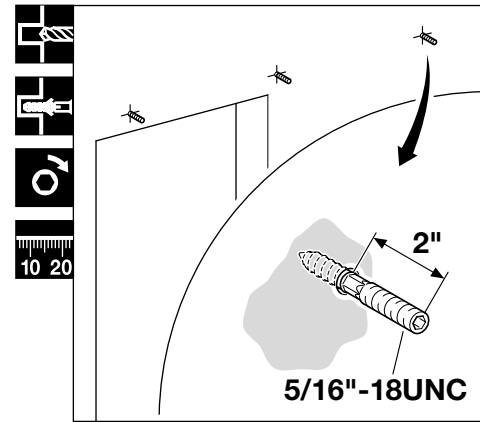


Fig. 9

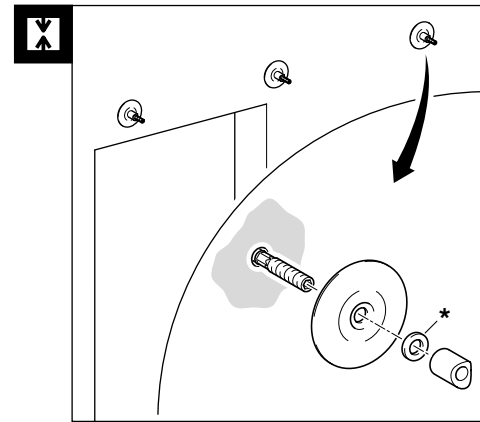


Fig. 10

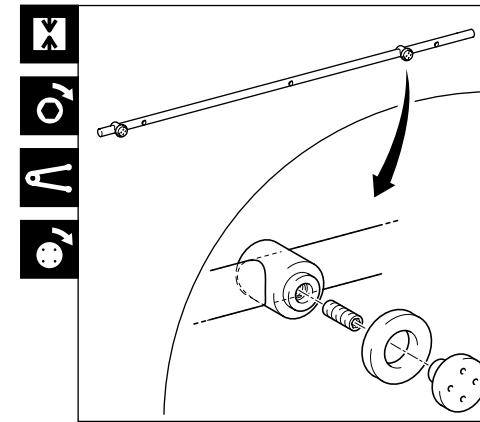


Fig. 11

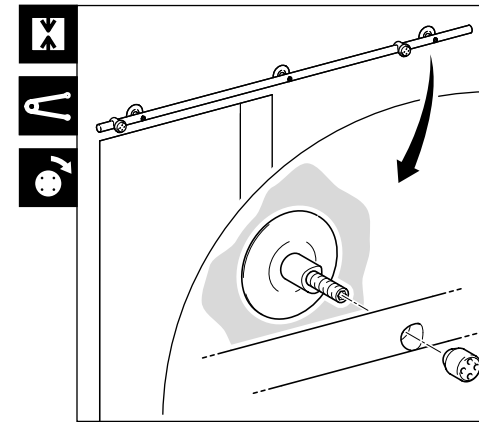


Fig. 12

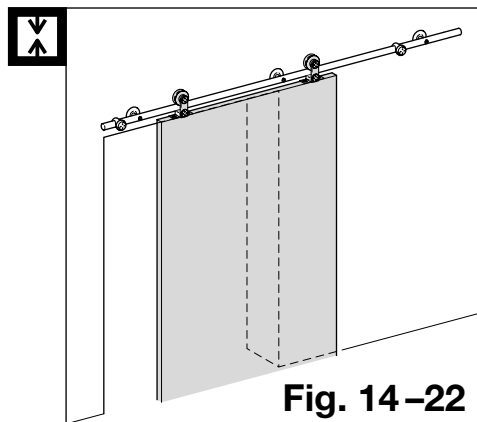


Fig. 13

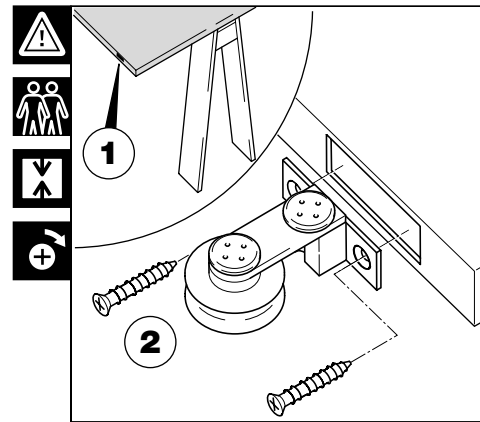


Fig. 14

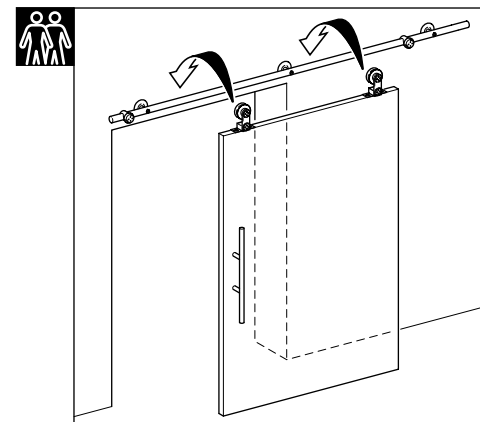


Fig. 15

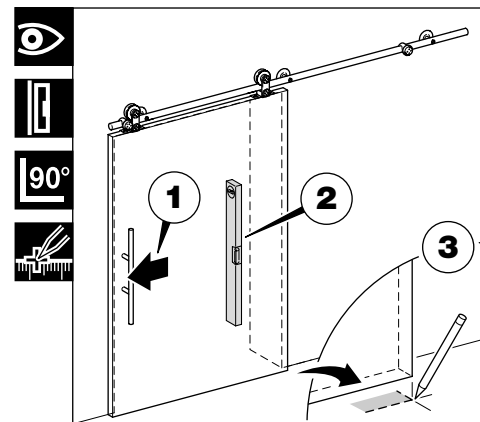


Fig. 16

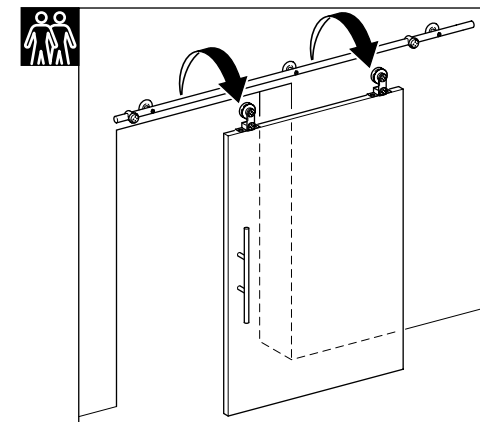


Fig. 17

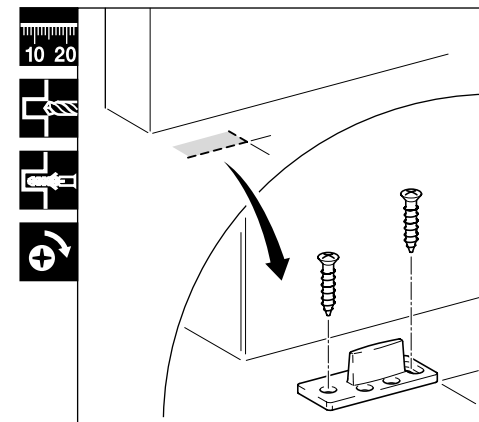


Fig. 18

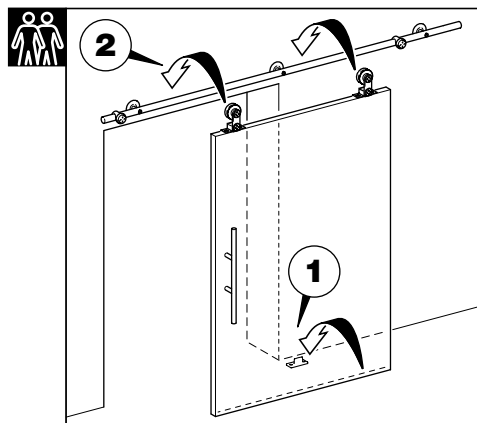


Fig. 19

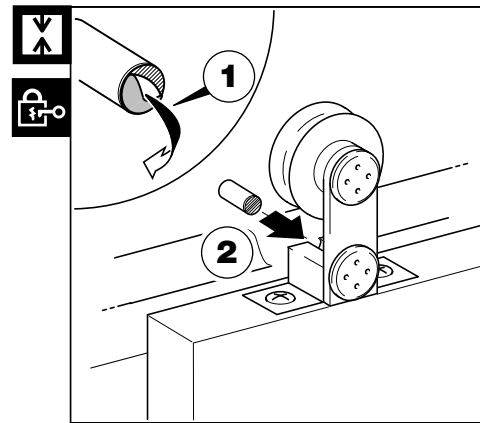


Fig. 20

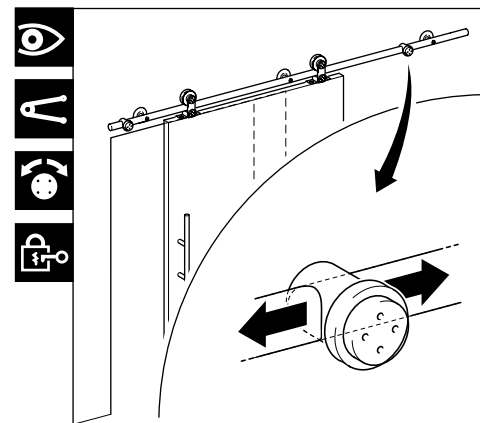


Fig. 21

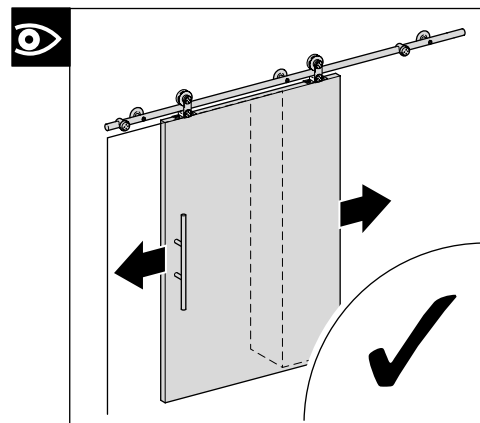


Fig. 22