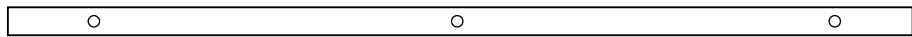
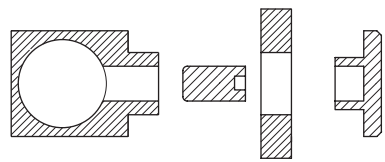


**1** Set sliding door fittings **Unotec Home**

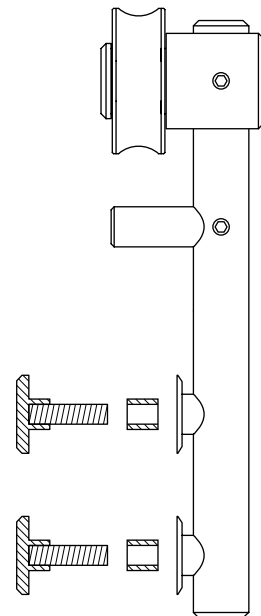
**2** Guide rail



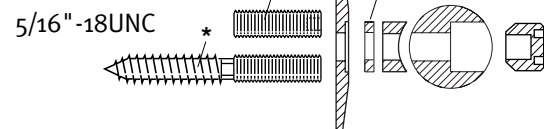
**3** Door stoppers



**4** Trolley complete

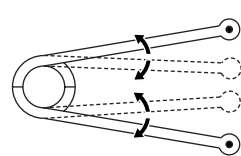


**5** Wall fixtures

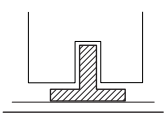


(without screws and dowels, at construction site)  
\* not included in scope of delivery.

**6** Special tool



**7** Bottom guide



(without dowels and screws, at construction site)

- Attention
- Screw on
- Screw on
- Screw on
- Loosen / Tighten
- Install
- At right angle
- Drill
- Dowels
- Adjust Set
- Level
- Perpendicular
- Measure Mark
- Visual inspection
- Special-tool
- 2 people required
- Measure
- Clarify questions
- See instructions
- Secure

Comply with all general safety regulations when installing the sliding door fittings!

Installation to be completed by qualified licensed contractor.

Be sure to tighten all screw connections one week after starting to use the sliding door fittings!

**Never** use scouring agents to clean the sliding door fittings; rather use commercially available stainless-steel cleaners!

Set Unotec Home Art. No.	Set / Each						
	1	2	3	4	5	6	7
USU35-1800EF	1	2	2	3	1	1	
USU35-2100EF	1	2	2	4	1	1	
USU35-2300EF	1	2	2	4	1	1	
USU35-2540EF	1	2	2	4	1	1	

Beyerle US L.L.C., ABP-Beyerle, its subsidiaries and agents are not responsible or liable for damage or injury to any persons or property due to improper installation of its products.  
All liabilities reside solely with the installer.

**Beyerle US**  
L.L.C.

Beyerle US L.L.C.

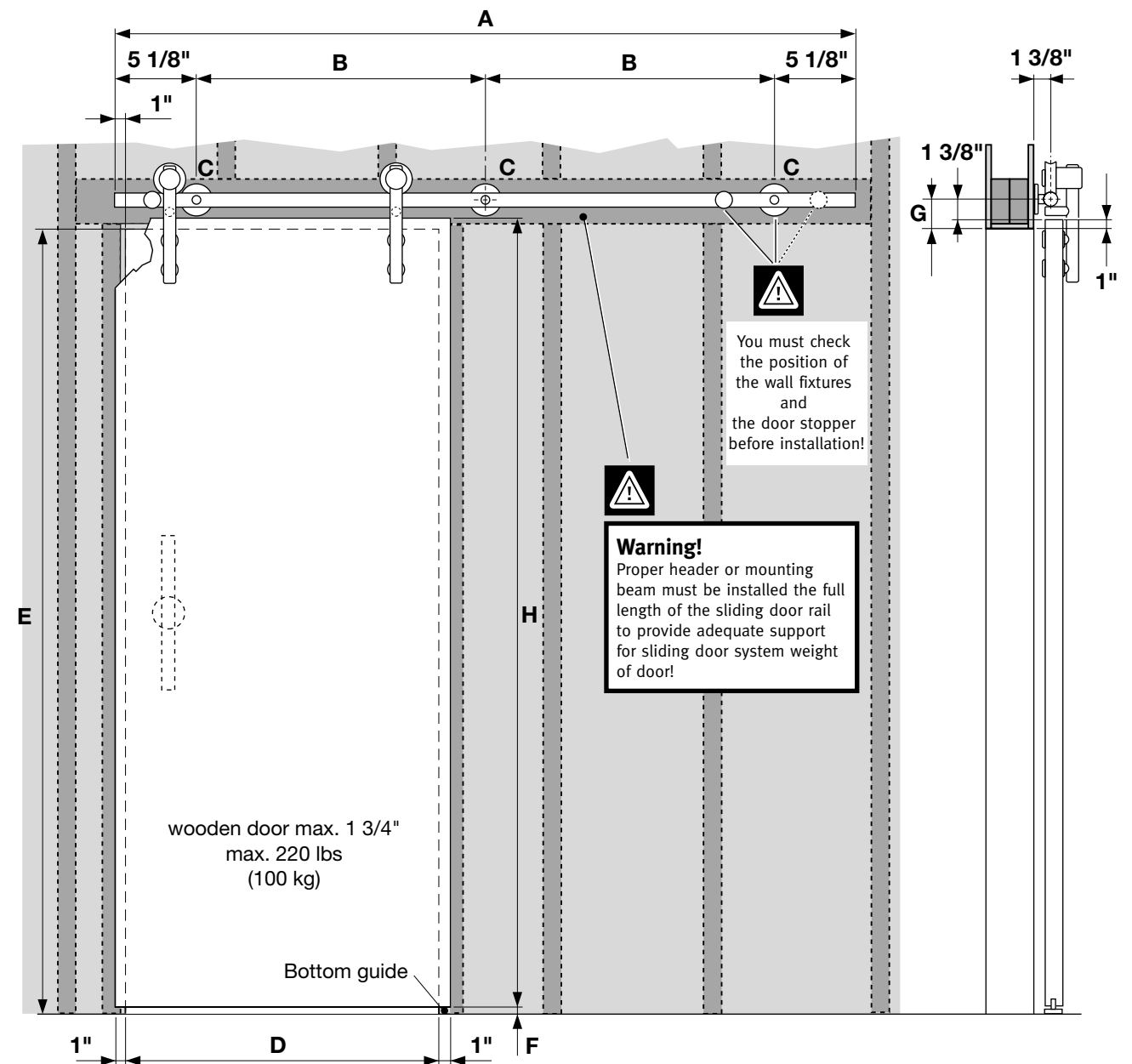
1294 Logan Circle, Atlanta, GA 30318

Toll Free: Phone (877) 333-2620, Fax (877) 202-2563, www.beyerle-us.com, info@beyerle-us.com

USU35-USA

# Installation instructions

## Sliding door fittings **Unotec Home** for wooden doors ( max. 1 3/4" thickness )



### Complete-sets (standard model)

Set Unotec Home Art. No.	A inch	B inch	C Each	D inch	E max. inch	F inch	G inch	H max. inch (H = E - F + 1")
USU35-1800EF	70 7/8"	30 5/16"	3	29 1/2" - 35 7/16"	98 7/16"	1/4" - 3/8"	2 3/8"	99 1/8"
USU35-2100EF	82 11/16"	24 1/8"	4	35 13/16" - 39 3/8"	98 7/16"	1/4" - 3/8"	2 3/8"	99 1/8"
USU35-2300EF	90 9/16"	26 3/4"	4	39 3/4" - 44 1/16"	98 7/16"	1/4" - 3/8"	2 3/8"	99 1/8"
USU35-2540EF	100"	29 15/16"	4	44 1/2" - 49 3/16"	98 7/16"	1/4" - 3/8"	2 3/8"	99 1/8"

Right to make technical changes reserved - Dimensions in inches - Version 04.2008  
© by ABP-Beyerle GmbH

**Beyerle US**  
L.L.C.

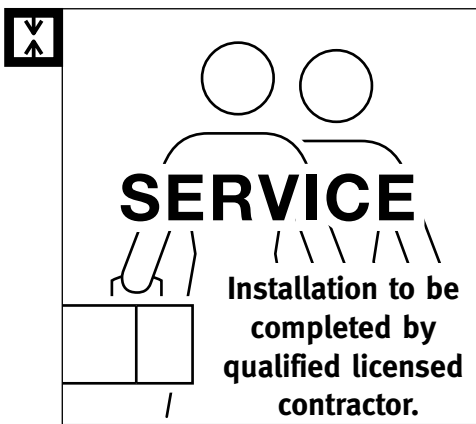


Fig. 1

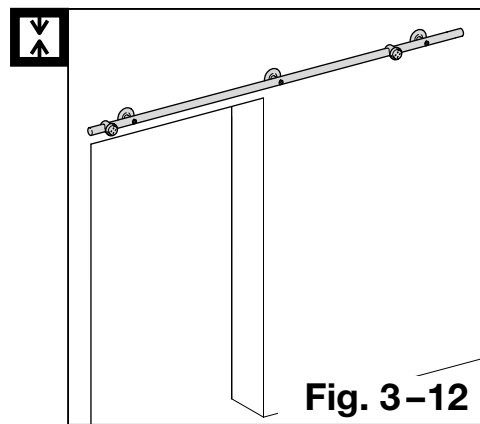


Fig. 3-12

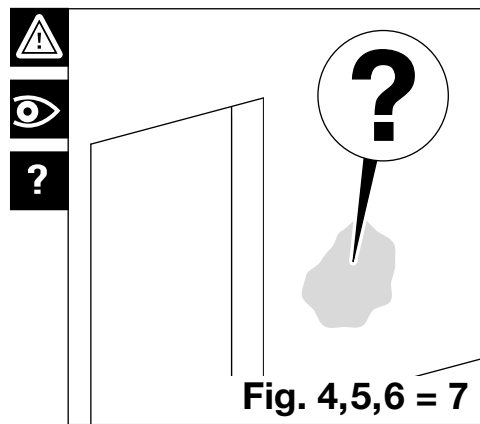


Fig. 4,5,6 = 7

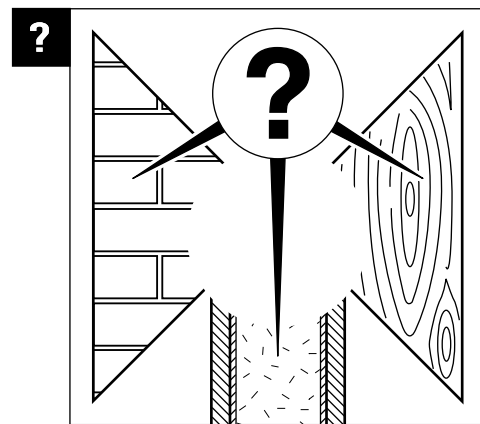


Fig. 4

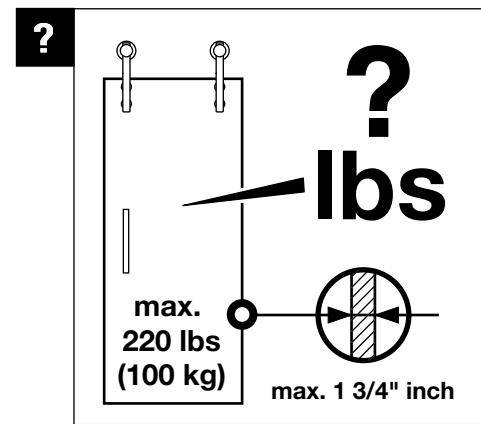


Fig. 5

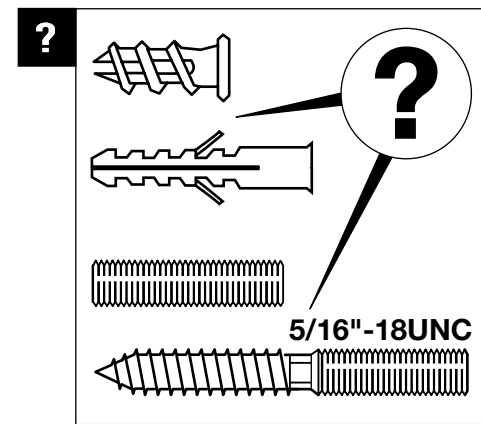


Fig. 6

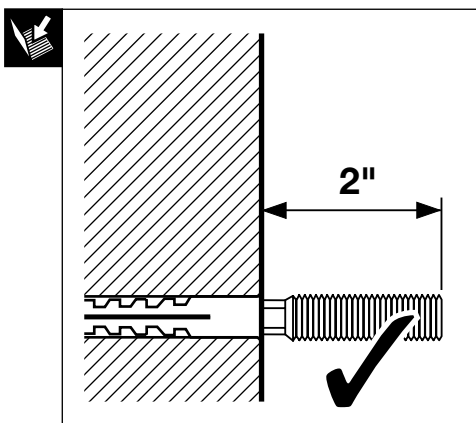


Fig. 7

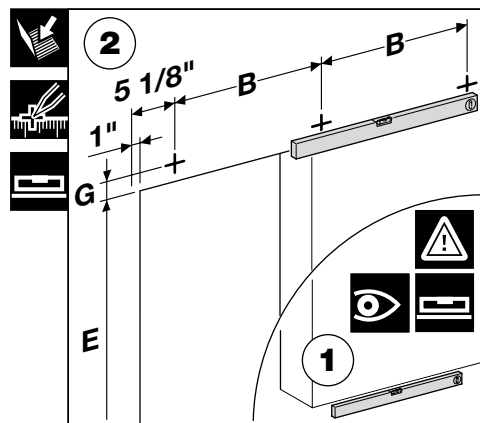


Fig. 8

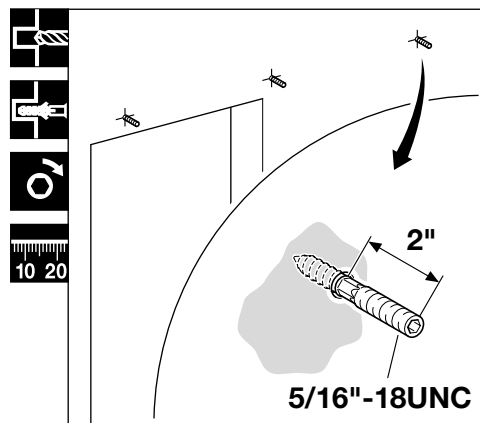


Fig. 9

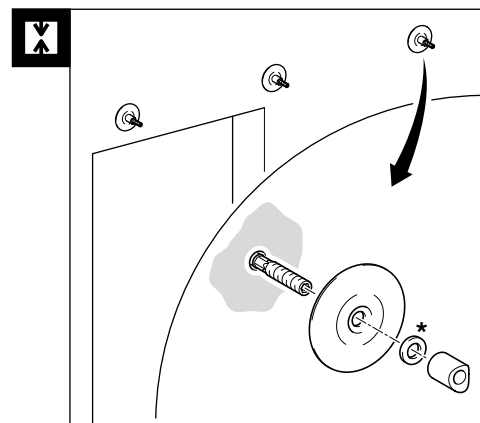


Fig. 10

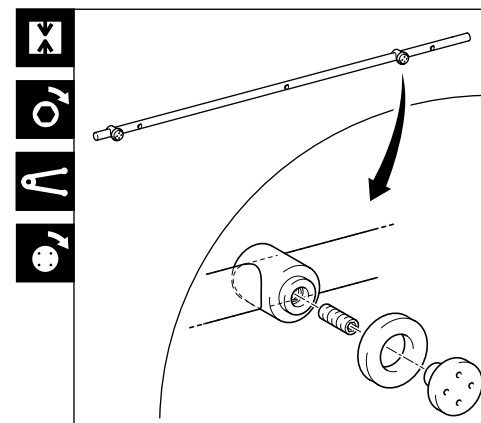


Fig. 11

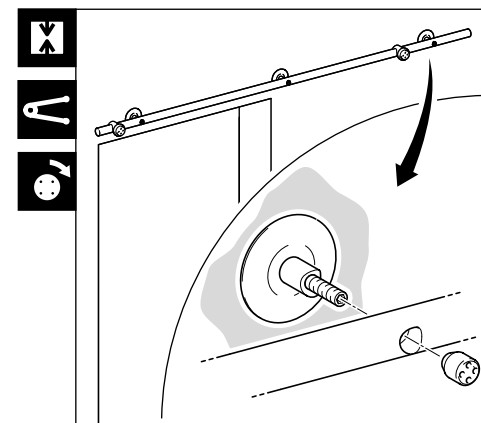


Fig. 12

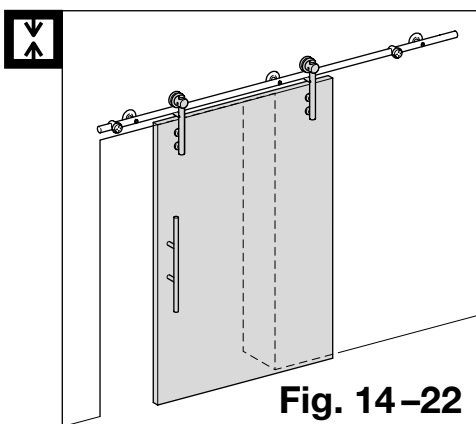


Fig. 13

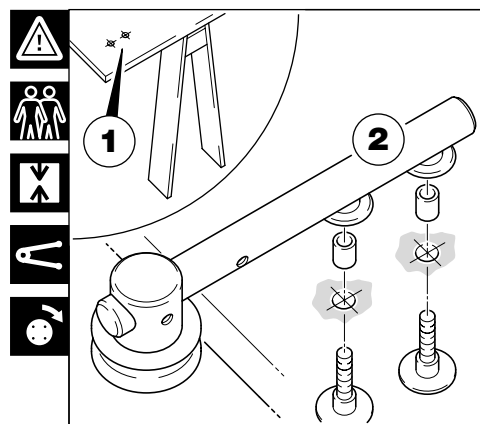


Fig. 14

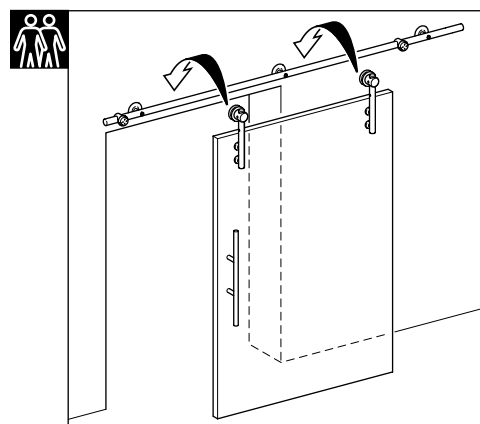


Fig. 15

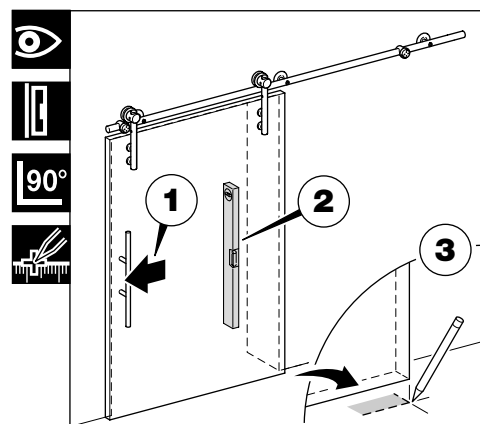


Fig. 16

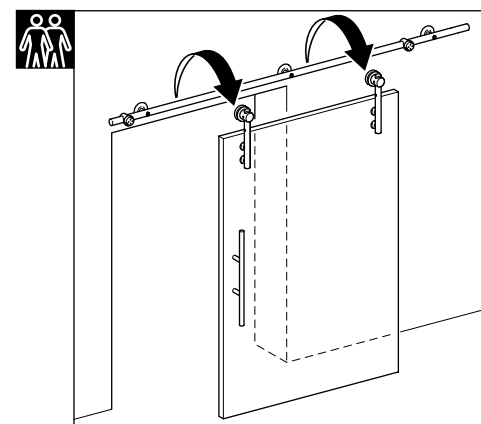


Fig. 17

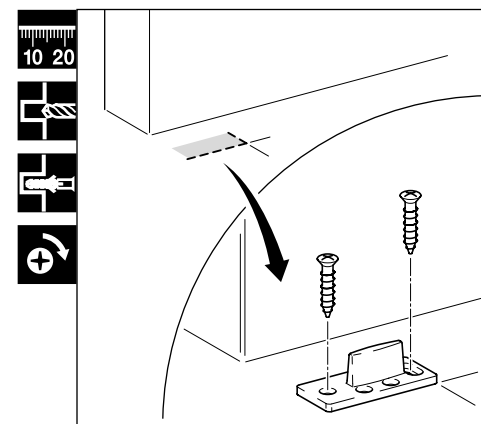


Fig. 18

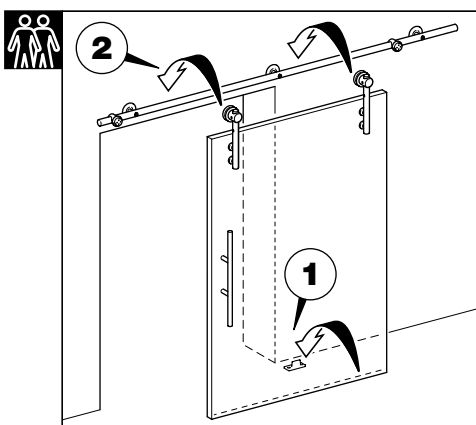


Fig. 19

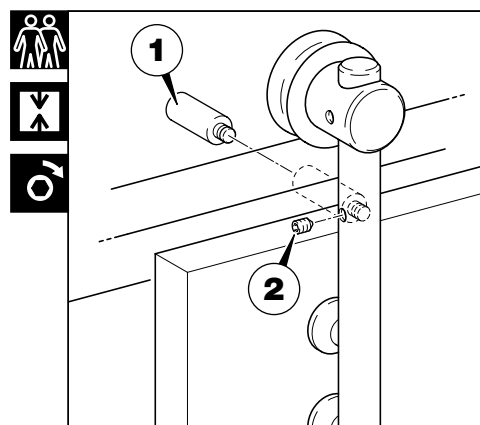


Fig. 20

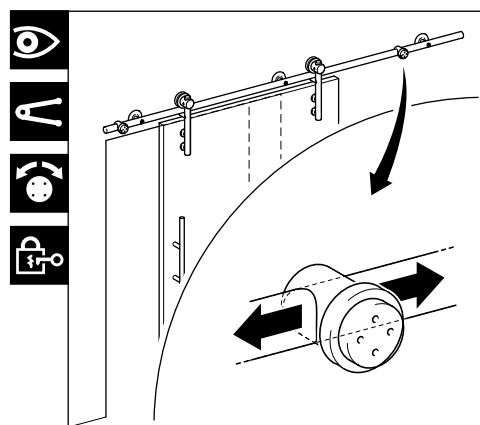


Fig. 21

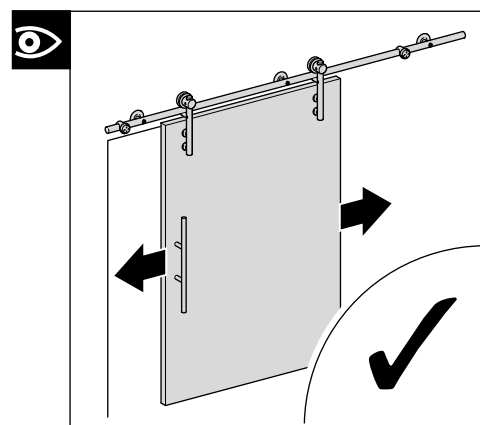


Fig. 22