

CL400[®] ADA Magnetic - Offset

The new **CL400[®] ADA Magnetic** matches the look and functionality of the existing CL400 Magnetic range of pocket door hardware, with added ADA functionality.

Utilizing the patented magnetic mechanism of the CL400 Magnetic, this new addition to the range provides flexibility for building owners. The CL400 ADA uses the same door cutout and striker and is able to be retrofitted over existing CL400 flush handles for the requirements of ADA tenants.

The CL400 ADA is compatible with egress applications.



ADA



CL400 ADA Privacy Snib in satin nickel finish.



CaviLock CL400 ADA Privacy with Emergency Release

 **CaviLock[®]**

Quality Sliding Door Hardware

CL400® ADA Magnetic - Offset



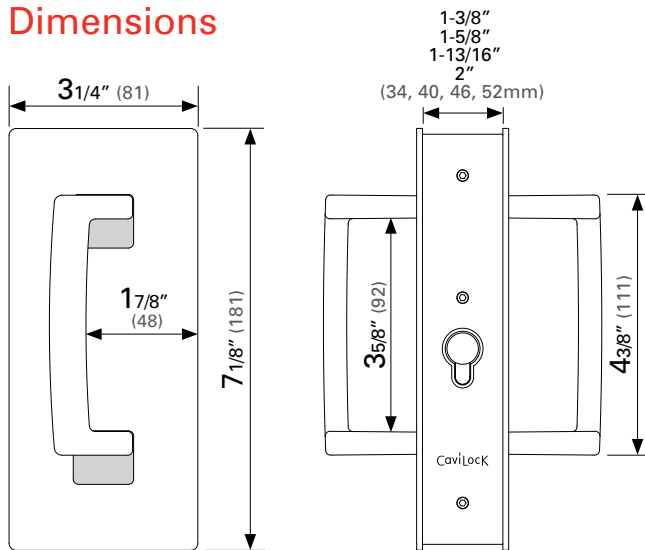
In line with ADA Standards for Accessible Design, the CL400 ADA Magnetic has a handle that is easy to grasp with one hand and does not require tight grasping, tight pinching or twisting of the wrist.

The opening force required to operate the unit is 2.5lbf (11.1N), which is under the 5lbf threshold for ADA compliance.

Design Features & Options

- Easy to use - no tight pinching or twisting of the wrist.
- Patented magnetic functionality.
- Striker sits flush with closing jamb.
- See at a glance whether a room is occupied.
- Matches other hardware in the CL400 range.

Dimensions



Finish Options

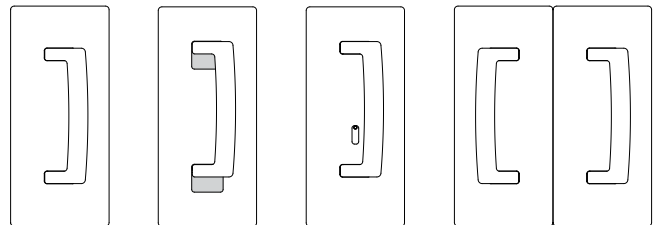


Satin Chrome Chrome Satin Nickel Oil Rubbed Bronze

Other finish options available on request.

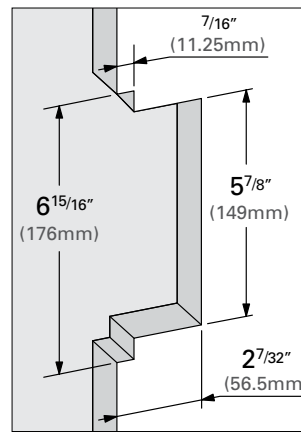
(Note: Longer lead times and additional surcharges may apply.)

Configuration Options



Passage Privacy Emergency Release Bi-Parting (Passage or Privacy)

Door Cutout



IMPORTANT: Operable parts of hardware must be mounted 34" (865mm) min. and 48" (1220 mm) max. above finished floor to meet ADA guidelines.

The clear width of the door opening must be a minimum of 32". Always check State and Federal guidelines relating to the specific project.

Selection Procedure To order, ensure you have the following information ready:

Function	Finish	Door thickness	Handing Configuration										
Single Door	Satin Chrome	1-3/8" to 1-9/16"	Handing must be determined at time of manufacture and cannot be altered on site. Careful selection of handing options is required at time of order. See diagram for determining handing of functions.										
Bi-Parting Door	Satin Nickel	1-5/8" to 1-3/4"											
Passage (Non Latching)	Bright Chrome	1-13/16" to 2"	<table border="0"> <tr> <td>LH</td> <td>RH</td> <td rowspan="3">Stand looking into the pocket as shown</td> </tr> <tr> <td>Blank</td> <td>Blank</td> </tr> <tr> <td>Snib</td> <td>Snib</td> </tr> <tr> <td>Emerg.</td> <td>Emerg.</td> <td></td> </tr> </table>	LH	RH	Stand looking into the pocket as shown	Blank	Blank	Snib	Snib	Emerg.	Emerg.	
LH	RH	Stand looking into the pocket as shown											
Blank	Blank												
Snib	Snib												
Emerg.	Emerg.												
Passage (Mag Latching)	ORB	2-1/16" to 2-1/4"											
Privacy Locking	Special Order												

Drawings & pictures are not to scale. Colors shown may not accurately represent product All dimensions in inches (and mm).

www.cavitysliders.com

High quality products designed in New Zealand



T (888) 466 0030
F (310) 769 5824
E info@cavitysliders.com

Cavity Sliders USA Inc.

548 Finney Ct
Gardena
CA 90248



Another quality product from:

CavitySliders
Quality Sliding Door Hardware