

# SLIDING AND FOLDING DOOR LOCKS

## For Wardrobes and Closets

- Keep Children Out

- Keep Closets or Cabinets Private



# 1068 SLIDING DOOR LOCK

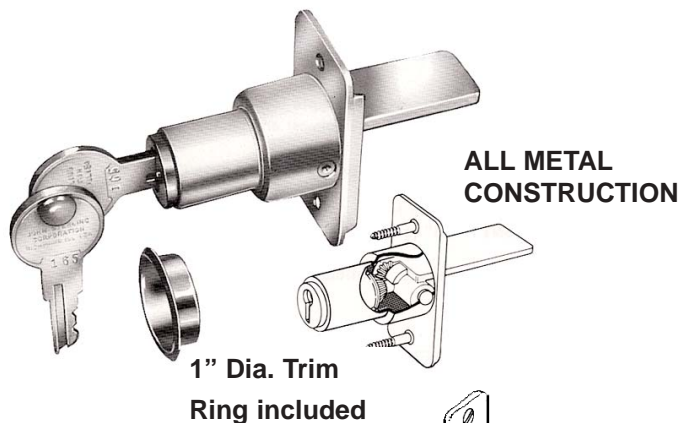
A truly quality wardrobe lock. Patented, positive-action design with lock cylinder geared directly to the tongue. One-half turn of key locks or unlocks. Fits doors 3/4" to 1-3/4" thick. Two keys supplied with each lock. Available in popular finishes.



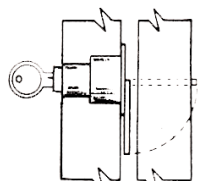
# 1064 FOLDING DOOR LOCK

Positive locking action. Easy to mount. Only one 3/4" hole needed in one door. Strike is mounted on back side of opposite panel or on striking jamb.

Key may be removed in either locked or unlocked position. Two keys supplied with each lock. Fits doors 3/4" up to 1-3/8" thick as supplied. Can be used on 1-3/4" door by using 1" dia. Trim Ring #6856, sold separately.



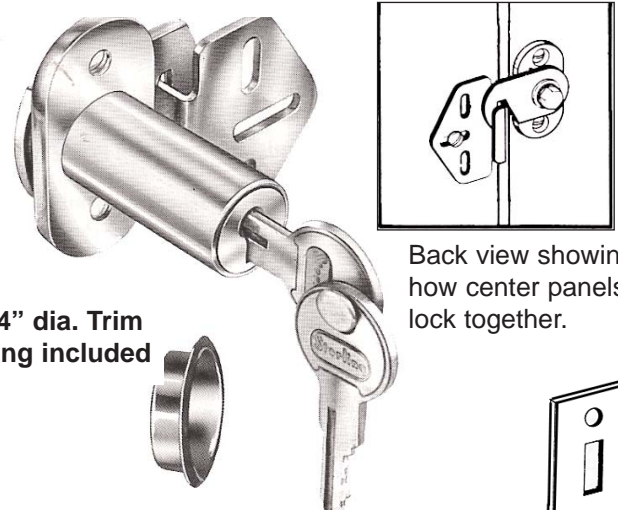
1" Dia. Trim Ring included



One-Half turn of Key Raises Tongue and Locks Doors

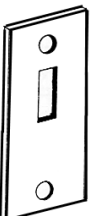


Back View Showing Tongue in Locking Position



3/4" dia. Trim Ring included

Back view showing how center panels lock together.



Jamb Strike is included for two-panel installations. Mounts on jamb and receives lock hook.

**John Sterling Corporation**

11600 Sterling Parkway, Box 469, Richmond, IL 60071-0469 U.S.A.  
Phone: (815)678-2031 or (800)367-5726, Fax: (815) 678-4360

www.johnsterling.com

# SLIDING POCKET DOOR LOCK

## LOW COST LOCK PROVIDES SECURITY FOR PASSAGE & CLOSET DOORS



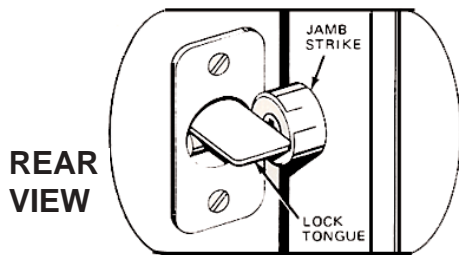
AVAILABLE IN THREE STYLES:

- # 1062 POCKET DOOR LOCK
- # 1068 SLIDING DOOR LOCK
- # 1064 FOLDING DOOR LOCK



ALL METAL  
CONSTRUCTION

FINISHING RING



One half turn of key raises tongue and prevents door from entering pocket. The special jamb strike is furnished to permit mounting the lock far enough from door jamb to provide room for fingers when key is turned.

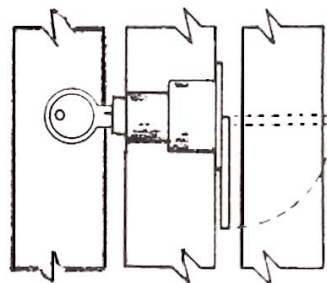
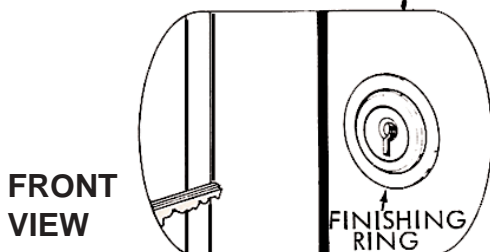
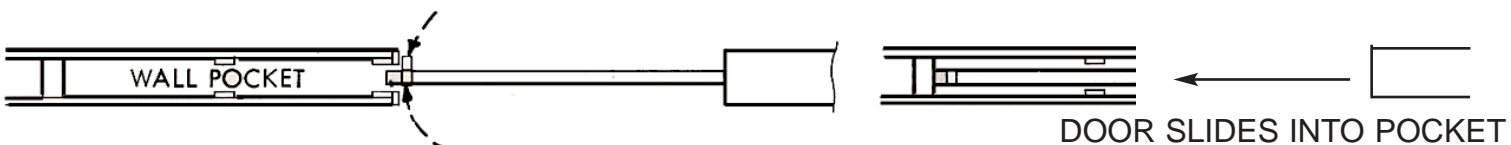
### #1062 POCKET DOOR LOCK

This sturdy lock provides a simple low-cost means of locking pocket doors. May be installed in almost any pocket door.

All exterior surfaces are plated for good appearance.

Quick and easy to install. No mortising. Fits doors 1-3/8" to 1-3/4" thick. Jamb strike furnished.

Two keys furnished. Available keyed alike or mastered keyed.



#### CUT-AWAY VIEW

One-Half Turn of Key Raises Tongue and Locks Door from Entering Pocket.