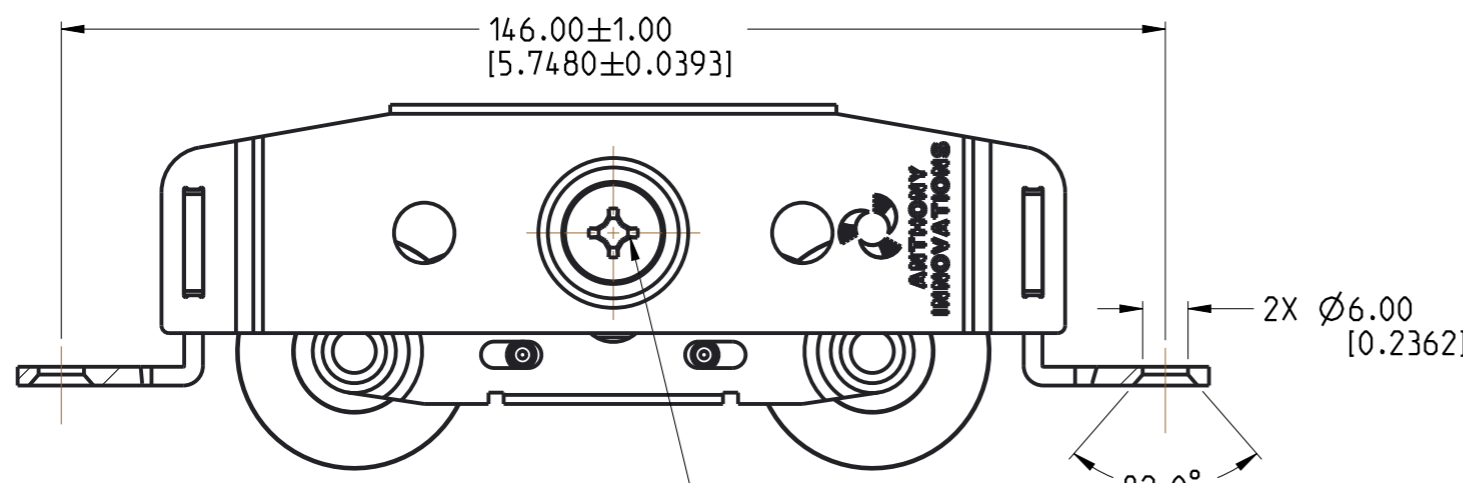
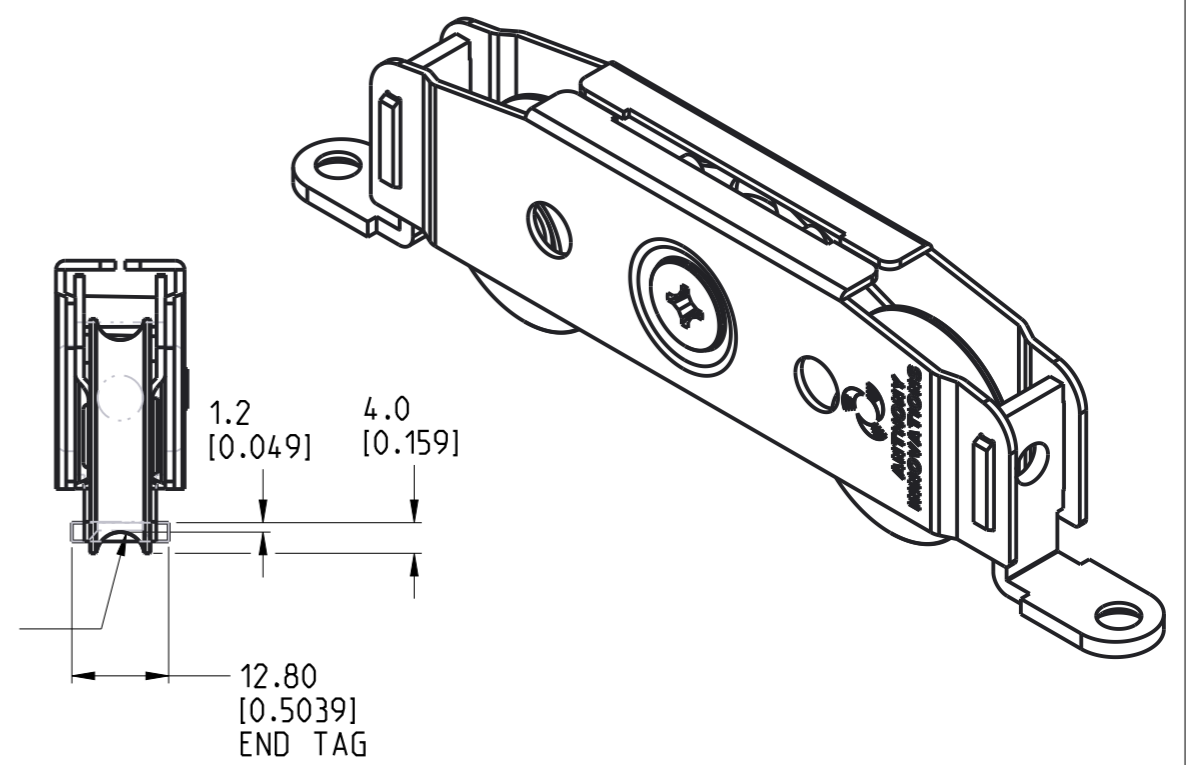


FULLY RETRACTED - AS SUPPLIED

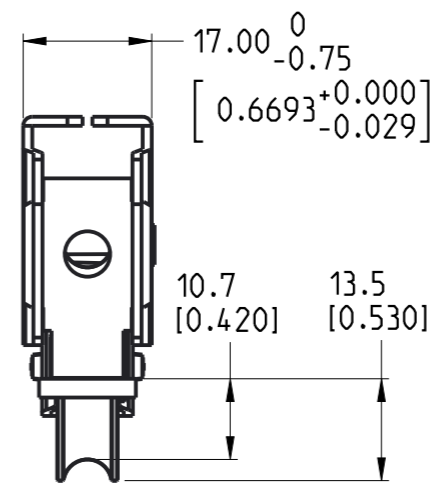


FULLY ADJUSTED

TYPE 1 RECESS  
No. 3 PER STANDARD  
ASME B18.6.3-2003



END TAG



INNER AND OUTER CARRIAGE 1.2mm  
END TAGS 2.2mm

ADJUSTMENT SCREW, BUSH  
AND AXLES MADE FROM  
303 STAINLESS STEEL.

PRECISION BEARINGS

ISO 492:2002  
NORMAL TOLERANCE CLASS

ALL PLASTIC PARTS  
ACETAL

R3.20<sup>+0.10</sup><sub>0</sub>  
[0.1260<sup>+0.0039</sup><sub>-0.0000</sub>]

CUSTOMER SIGNATURE REQUIRED FOR PRODUCTION APPROVAL & ACCEPTANCE  
OF THE ANTHONY GROUP'S TERMS & CONDITIONS OF SALE  
(DESIGN CHANGES SUBSEQUENT TO THIS SIGNATURE MAY BE AT COST TO THE CUSTOMER)

SIGNED:.....DATE:.....

THIS DOCUMENT IS THE PROPERTY OF ANTHONY INNOVATIONS PTY. LTD.  
IT IS STRICTLY CONFIDENTIAL AND SUBJECT TO RETURN UPON REQUEST.  
IT MUST NOT BE TRACED, COPIED OR EXHIBITED WITHOUT WRITTEN PERMISSION.

PART NUMBER	CARRIAGE MATERIAL	BEARING MATERIAL	TYRE MATERIAL	LOAD RATING
SS7200DSNA	STAINLESS STEEL	STAINLESS STEEL	ACETAL	80kg (176lb)
SS7200DSPA	STAINLESS STEEL	STAINLESS STEEL	ACETAL	100kg (220lb)
SS7200DSGA	STAINLESS STEEL	STAINLESS STEEL	STAINLESS STEEL	100kg (220lb)

DRAWN TO AS1100 DO NOT SCALE UNSPECIFIED TOLERANCES ± 0.25

25JUL16	-	AB	DJJ	DJJ	RELEASED FOR CUSTOMER APPROVAL	-
DATE	ECR No.	DRN	CKD	AUTH	REVISION	ZONE

DESC.	<b>DUAL WHEEL ROLLER</b>	DRAWING No.	<b>1078747</b>	REVISION	
		ASSEM No.	<b>SS7200DSXA</b>		<b>CA1</b>
		DRAWING NAME	1078747 REV. 1.4		
		3D MODEL NAME	1007483 REV. 3.26		<b>A3</b>
		DOC No.	19H		
			COPYRIGHT 2016 - ANTHONY INNOVATIONS ©		

**ANTHONY INNOVATIONS** PTY LTD  
A MEMBER OF THE ANTHONY GROUP  
68 KEON PARADE  
THOMASTOWN, 3074  
MELBOURNE, AUSTRALIA  
www.anthonyinnovations.com.au  
TEL: +61 (03) 9460 1166  
ABN 76004325026

3RD ANGLE PROJECTION  
DIMENSIONS IN MILLIMETRES

FINISH	-	COLOR	
MATL	SEE NOTES		
WEIGHT	-	MODIFIED BY	Ava Bashirzadeh
SCALE	1:1	CREATED BY	Renu Kumar
SHEET	1 OF 1	RELEASED BY	Derek Jefferson
			25-Aug-16 11:22:52 AM
			12-Aug-15 12:00:02 PM
			25-Jul-16 04:30:00 PM