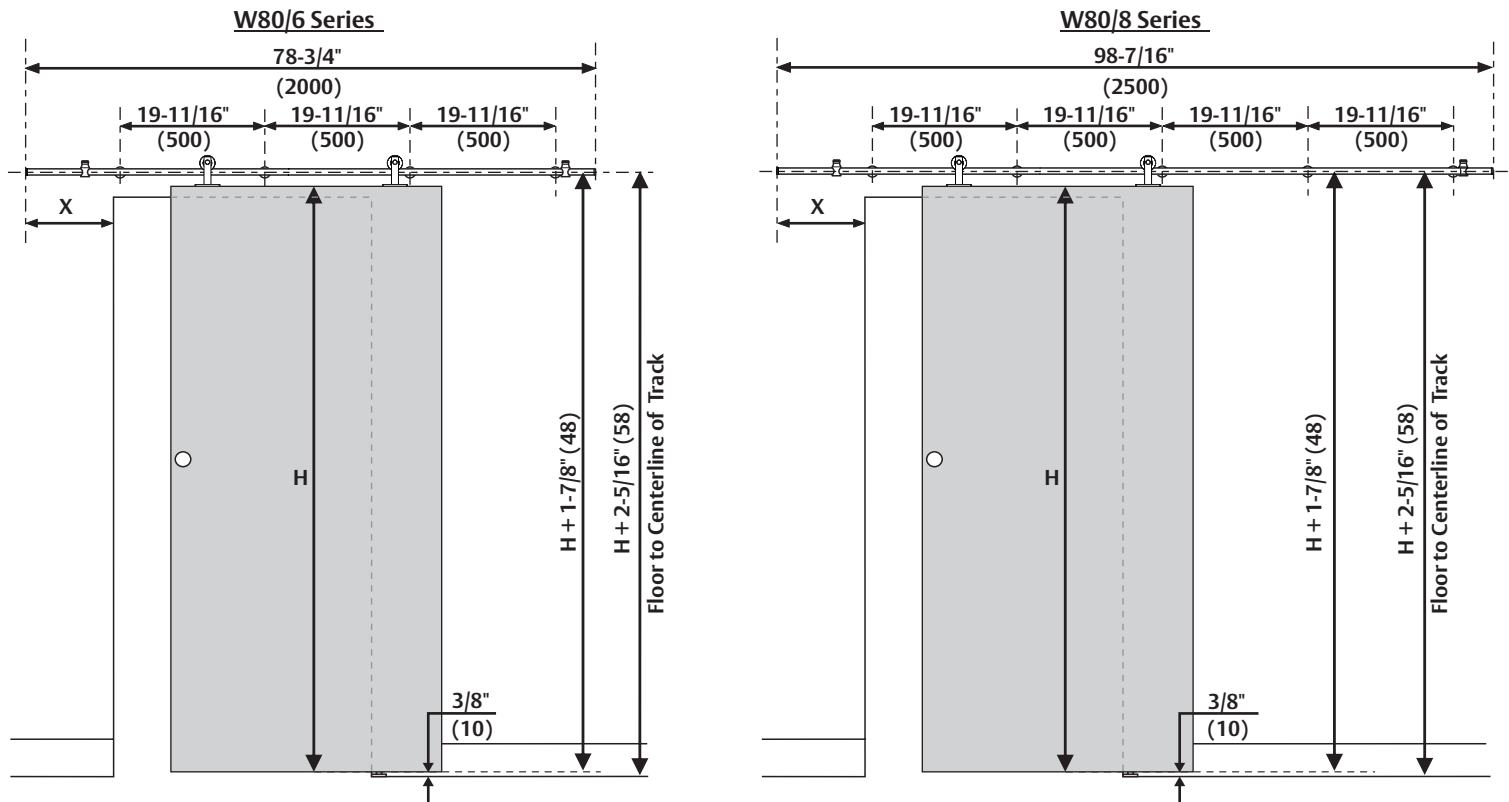
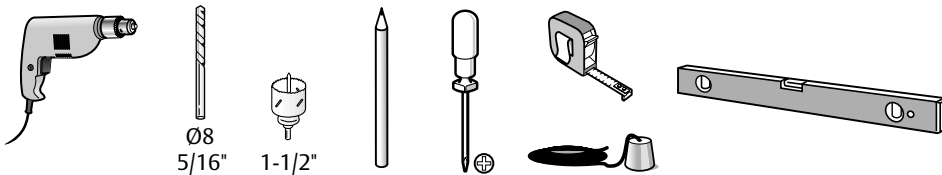


WARNING: Must be installed into wall blocking.

If you have questions about what type of wall blocking is required, consult a structural engineer.



Tools Required:

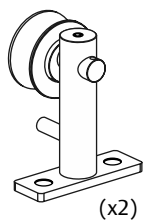


Dimensions shown: Inches (mm)

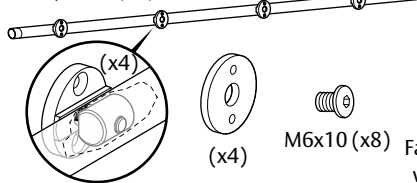
Notes:

1. "X" = Door Overlap
2. Minimum door overlap on guide side is 2" (51).
3. **Must be installed into wall blocking. If you have questions about what type of wall blocking is required, consult a structural engineer.**
4. **IMPORTANT: If bracket fasteners are loosened, they must be re-tightened using a minimum of 11 ft lb of torque.**

Parts:



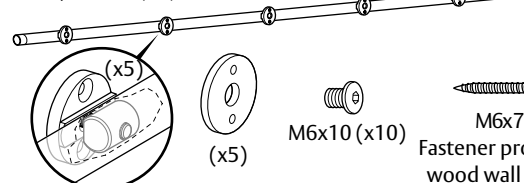
W80/6: 2M (x1)



M6x10 (x8)

M6x70 (x4)
Fastener provided for
wood wall blocking.

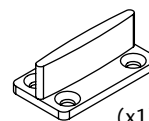
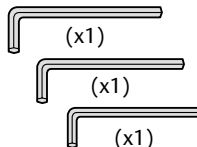
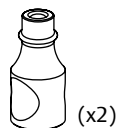
W80/8: 2.5M (x1)



M6x10 (x10)

M6x70 (x5)
Fastener provided for
wood wall blocking.

M6x70 (x4)

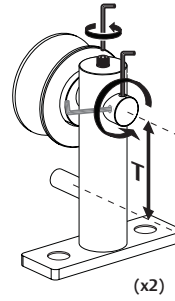


#8-18x25 (x4)

#8 Plastic Anchor (x4)

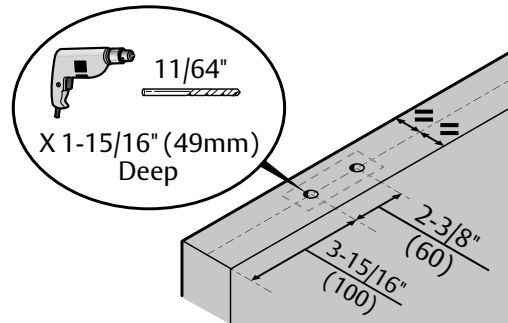
1. Prepare hanger.

Loosen set screw in top. Rotate shaft 180° with allen wrench.



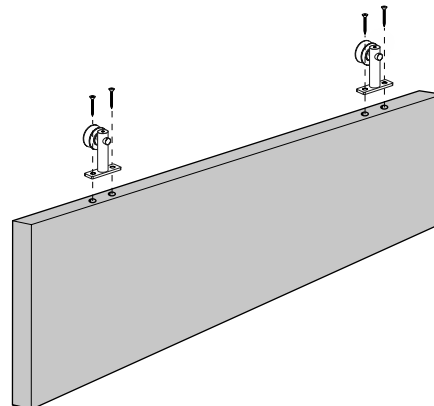
2. Prepare door for hangers.

Using Template provided, drill pilot holes centered in door thickness for hanger fasteners using a 11/64" bit.



3. Mount hangers to door.

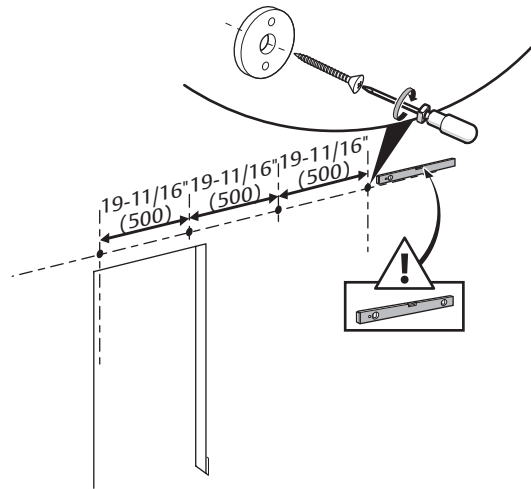
Attach hangers to door with M6x70 screws provided.



4. Attach brackets.

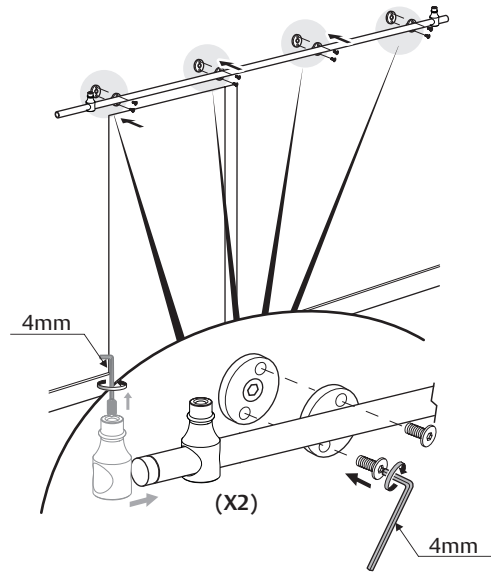
Locate centerline of track as shown on first page. Using a level, mark a horizontal line twice the door width long. Mark bracket screw locations, as shown on first page, into **WALL BLOCKING**. Attach wall portion of brackets as shown.

If applying track to gypsum board, use 1-1/2" hole saw to remove gypsum board at bracket locations. Use appropriate spacer kit, sold separately, to replace gypsum board removed by 1-1/2" hole saw.



5. Secure track.

Attach track to wall brackets as shown. Insert stops into track ends.

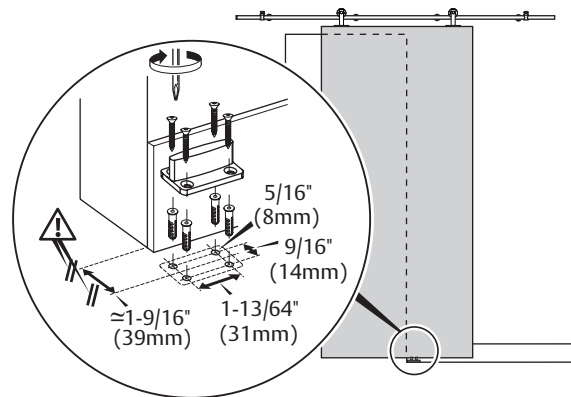


6. Fit door guide to floor.

Mark for position of door guide.

Check post fasteners for tightness.

Mount door guide to floor with #8 plastic anchors and #8-18x25 screws.

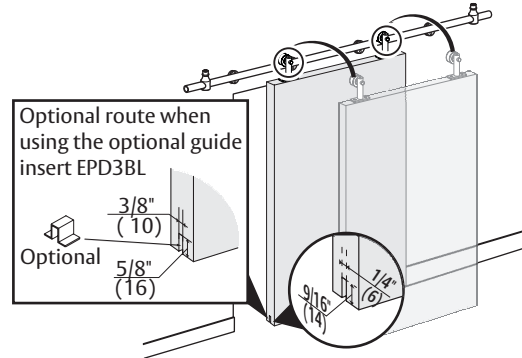


ASSA ABLOY

The global leader in
door opening solutions

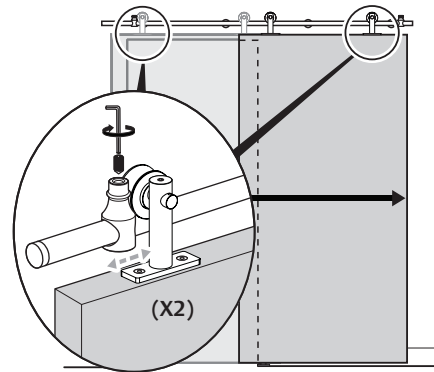
7. Hang door.

Route bottom of door to receive floor mounted guide as shown. Lift door onto track. Make adjustments to hangers so that door is plumb.



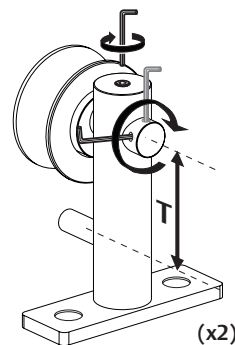
8. Adjust stops.

Adjust stops accordingly. Tighten set screw with sufficient force to drive set screw into bar after final adjustment.



9. Tighten hangers.

Rotate shaft 180° with allen wrench. Tighten set screw.



www.pemko.com

USA:
Ventura, CA 93003
Phone: 800.283.9988

Memphis, TN 38141
Phone: 800.824.3018

Canada:
Vancouver, BC V2T6W3
Phone: 877.535.7888

Toronto, ON L4K4T9
Phone: 877.535.7888