

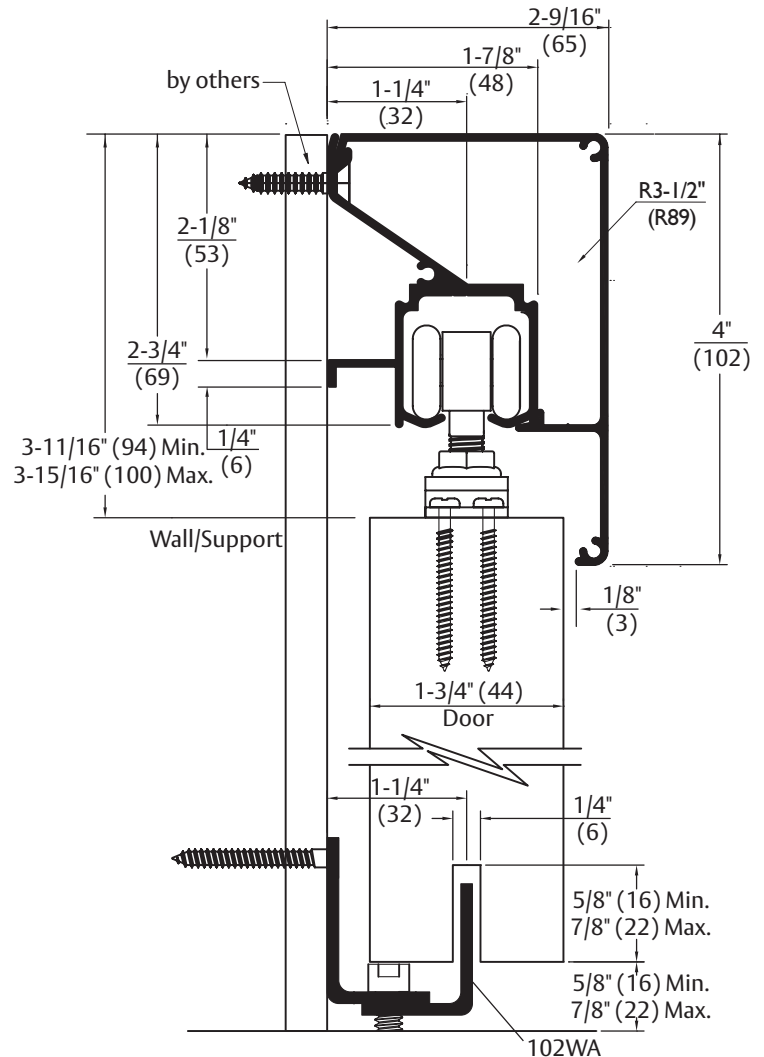
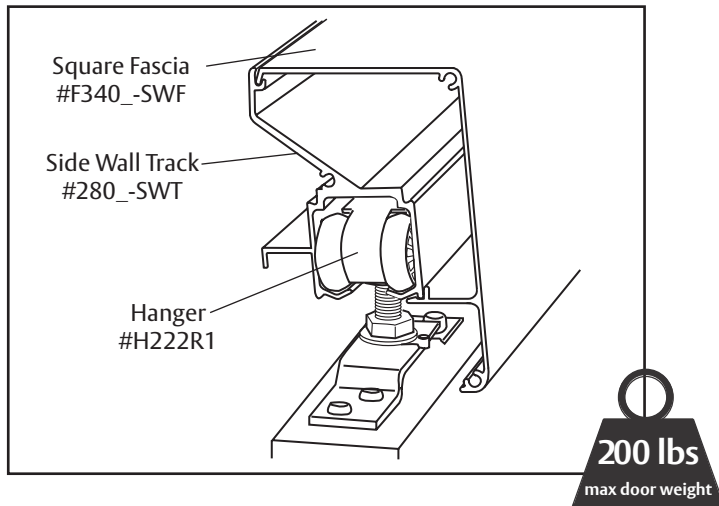
# Architectural Door Accessories

**ASSA ABLOY**

## Pemko Side Wall Track (SWT) System

The global leader in  
door opening solutions

**Door Leaf Capacity - Up to 200 lbs.**

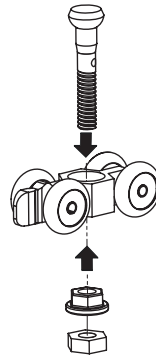


(A) Max. Door Width	(L) Run
30"	60"
36"	72"
48"	96"
2 @ 36"	144"

Kit No.	Material	Max Leaf Width
SF280C-SWTK/6	mill finished track / 6'	36"
SF280C-SWTK/8	mill finished track / 8'	48"
SF280C-SWTK/12*	mill finished track / 12'	2 @ 36"
SF280D-SWTK/6	dark bronze track / 6'	36"
SF280D-SWTK/8	dark bronze track / 8'	48"
SF280D-SWTK/12*	dark bronze track / 12'	2 @ 36"

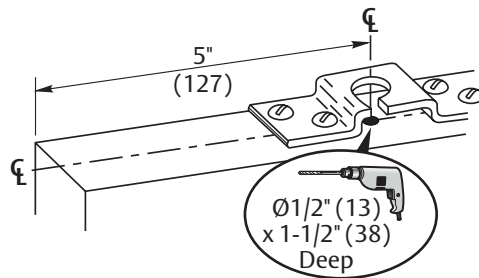
\*NOTE: SF280\_-SWTK/12 comes with enough hardware for two doors.

## 1. Assemble hangers.



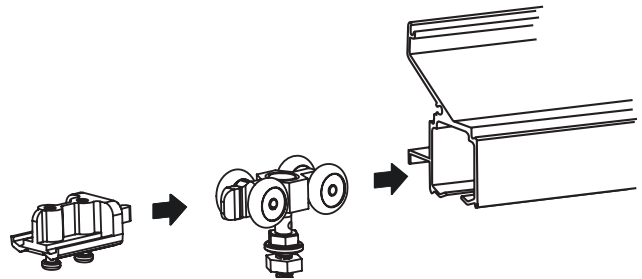
## 2. Fit hanger aprons to door panels.

Drill  $\frac{1}{2}$ " (13) dia x  $1\frac{1}{2}$ " (38) deep hole 5" (127) from door edge to centerline and centered in the door thickness.



## 3. Insert hangers and retaining stops.

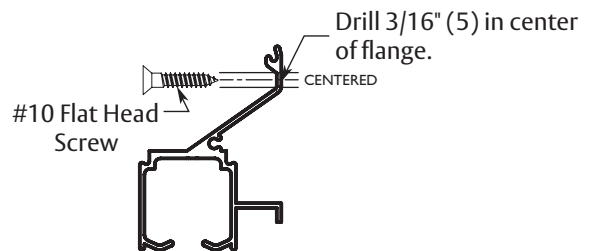
Ensure that hanger flange is pointing in the direction of clip portion of stop as shown below.



## 4. Secure track.

Locate mounting holes only in areas where wall offers sufficient backing to hold screw.

Check that track is level before finalizing mounting process.

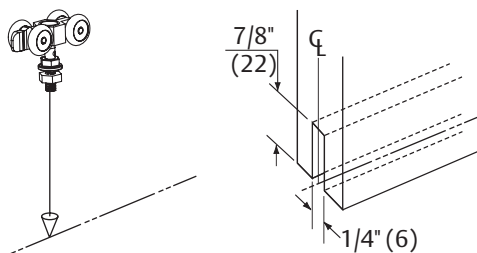


# ASSA ABLOY

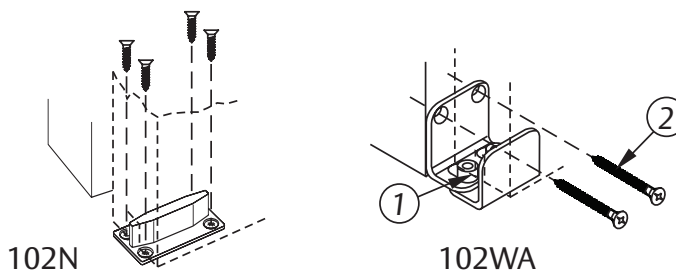
The global leader in  
door opening solutions

## 5. Mortise door.

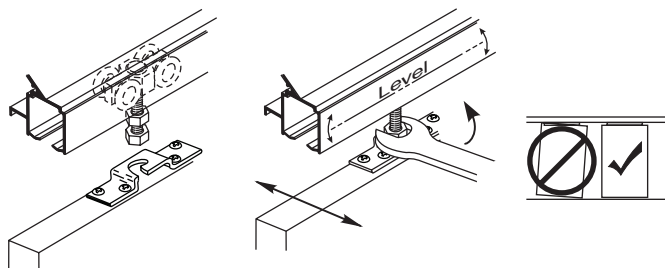
If using floor mounted hanger, attach a plumb line to hanger.  
Place hanger inside track.  
Using plumb line, mark for position of door guide on the floor.



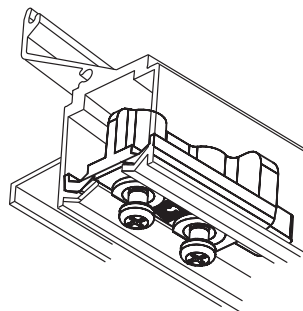
## 6. Fit either door guide 102N or 102WA.



## 7. Attach door panel and adjust until level.



## 8. Position and secure retaining stop.



**ASSA ABLOY**

The global leader in  
door opening solutions

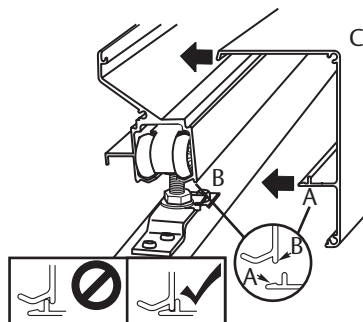
Copyright © 2017, Pemko Manufacturing Co., an ASSA ABLOY Group company. All rights reserved.  
Reproduction in whole or in part without the express written permission of Pemko Manufacturing Co. is prohibited.

81040 02/17

## 9. Snap on side wall fascia.

Insert point A of fascia into groove B on track. B should sit in the elbow of A; not beyond the tip. See detail at right.

Then apply pressure at point C on fascia, beginning at one end and along the length of the track until it snaps into place.



## 10. Install end plate.

