

TANGENT FOLDING STANDARD 301

EACH DOOR WEIGHT MAX 55 kg or 70 kg

APPLICATION

- ▶ For residential and commercial folding partitions where weatherproofing to the head and sill of the opening may be required.
- ▶ To accommodate different building designs leaves can fold to one or both sides of the opening and can be stacked behind a reveal if required.
- ▶ To cover any width of opening, any number of folding units can be used.
- ▶ Where doors are fitted externally, a canopy is recommended.

DOOR SPECIFICATION

	301	301H
For individual leaves:		
Max Leaf Height	3300mm	3600mm
Max Leaf Weight	55 kg	70 kg
Max Leaf Width	900mm	900mm
Door Thickness	45-55mm	45-55mm

Folding units of up to eight leaves can be hinged to post or free-floating. A swinging access door can be included within a unit hinged to post under 3000mm high by incorporating an odd number of leaves. On openings above 3000mm high, units should consist of an even number of leaves and access doors should either be a separate independent swing door or a wicket door in one of the folding leaves.

Floating units should always consist of an even number of leaves in units of four, six or eight.

Clearance between leaves to be 2mm minimum.

Door leaves should be constructed to provide secure fixing for hanger, hinges and guides and can either be flush, panelled or glazed.

GEAR SPECIFICATION

Track: 301 (2mm thickness) or 301H (3mm thickness)
Material: galvanised steel
Standard Lengths: 1800mm, 2000mm, 2500mm, 3000mm, 4000mm and 6000mm

Brackets:
 face fixing 1A/301 aluminium alloy pressure die casting
 soffit fixing 3A/301 aluminium alloy pressure die casting
 Brackets for special applications are available (see overleaf).
 Fix at 900mm centres (maximum).
 Fix additional bracket where folding units stack.

Hangers:
 Intermediate hanger: 62A
 End hanger: 63A
 Hangers are fitted with steel wheels on maintenance free sealed for life precision ball bearings.
 Vertical adjustment is simple and positive.

Guides:
 Intermediate guide: 67/97
 End guide: 68/97

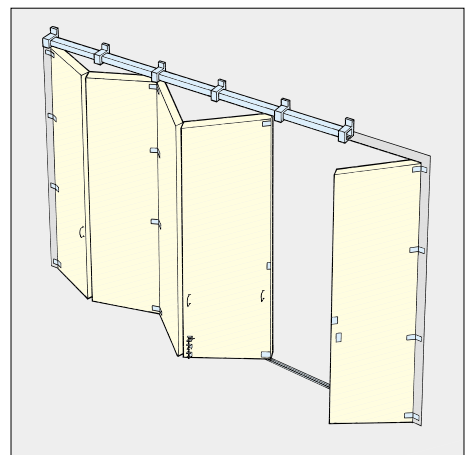
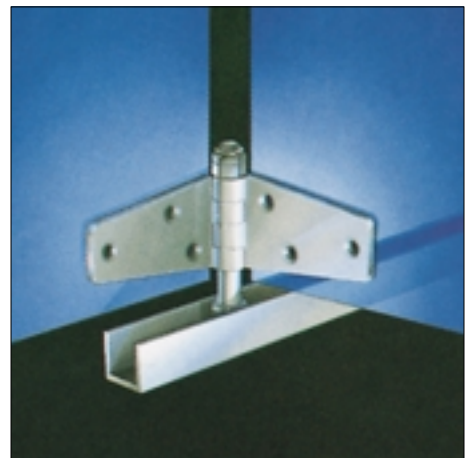
Hinges:
 Back-flap 65 aluminium alloy
 On leaves up to 3300mm high fit 3 hinges, leaves above 3300mm fit 4 hinges.

All steel parts to hangers, guides and hinges are electro-zinc plated.

Channel: 97 galvanised steel
 Standard lengths correspond with standard track lengths.
 Pre-drilled for lugging into concrete and fitting with drainage funnel.

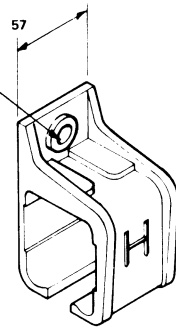
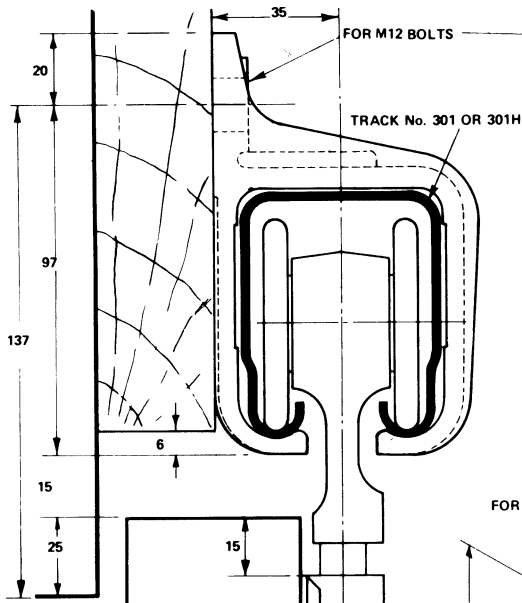
Accessories: Bow Handles, Flush Pulls, Flush Bolts and Locks.

EXTERNAL FOLDING DOORS TOP HUNG TIMBER OR METAL DOORS



Standard Application

TANGENT FOLDING STANDARD 301

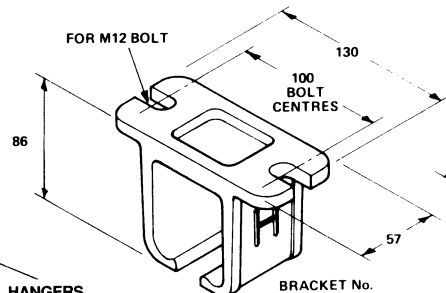


ALTERNATIVE BRACKETS

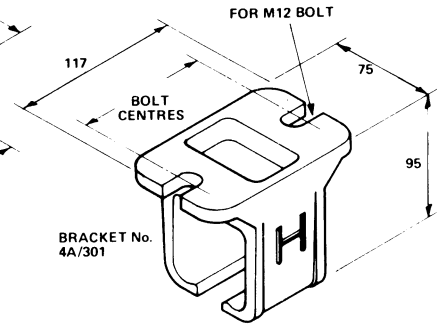
BRACKET No. 1A / 301

PACKING BATTEN REQUIREMENTS
PACKING BATTEN IS 16 LESS THAN DOOR THICKNESS, WHEN USING 1A/301 BRACKETS.

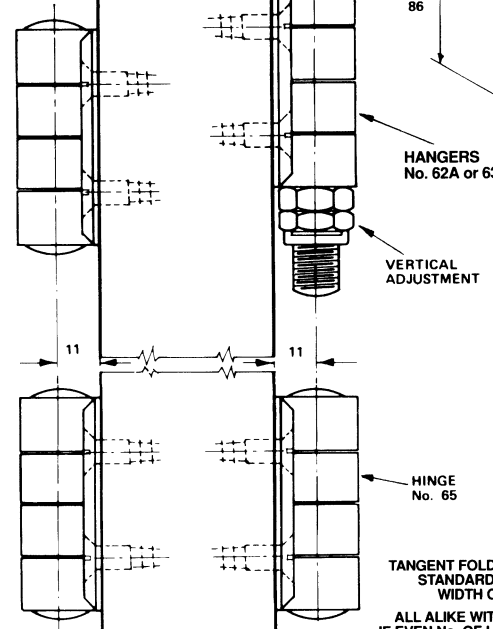
INCREASE BATTEN BY 6 WHERE FLOATING UNITS ARE REQUIRED, OR WHERE UNIT IS HINGED TO A POST SET BACK BEHIND A DEEP REVEAL.



BRACKET No. 3A / 301

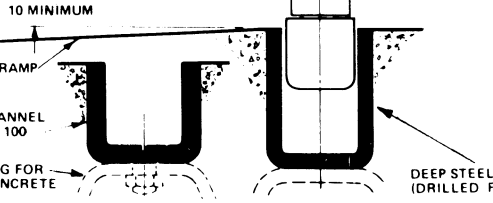
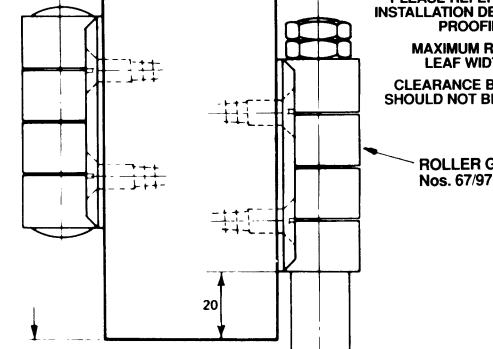


BRACKET No. 4A / 301

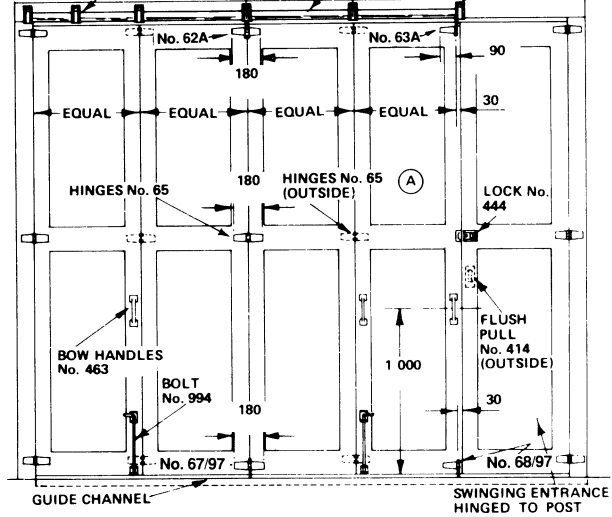


SECTION SCALE 1 : 2

TANGENT FOLDING 301 AND 301H STANDARD AND DELUXE WIDTH OF LEAVES:
ALL ALIKE WITH END SWINGER, IF EVEN No. OF LEAVES IN ONE UNIT THEN END LEAF/LEAVES TO BE GREATER BY 30mm.
PLEASE REFER TO JOINERY AND INSTALLATION DETAIL FOR WEATHER PROOFING DETAIL.
MAXIMUM RECOMMENDED LEAF WIDTH IS 900mm.
CLEARANCE BETWEEN LEAVES SHOULD NOT BE LESS THAN 2mm.



EXTRA BRACKET TAKES WEIGHT OF FOLDED UNIT



TYPICAL INSIDE ELEVATION AS PLAN

