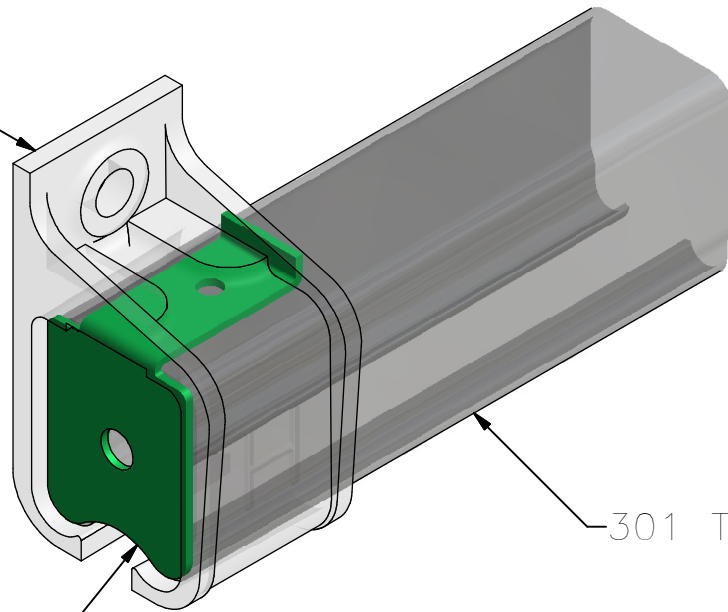
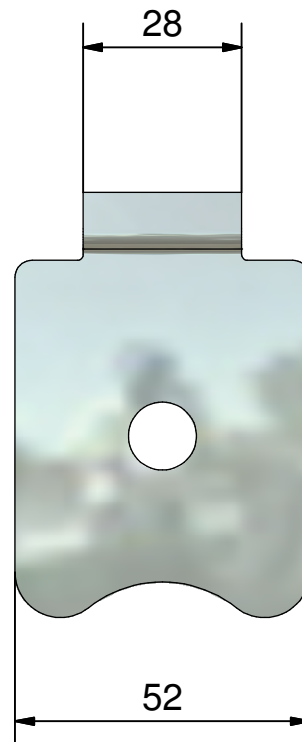
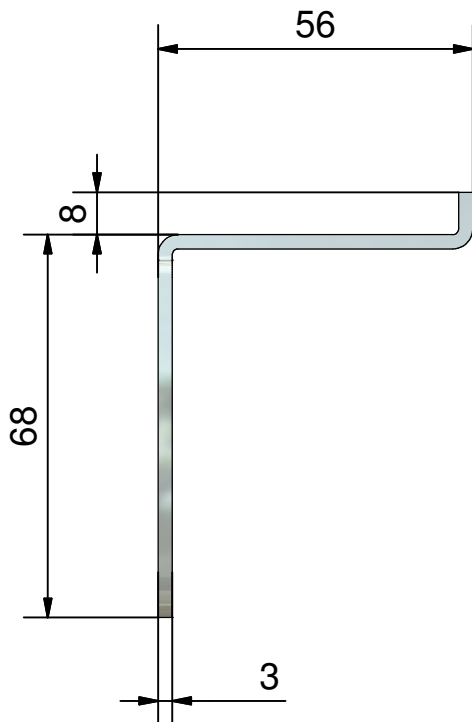


BRACKET 1A



301 TRACK

END CLIP 1A/301EC



Description:

END CLIP 1A/301EC

PCH-code:

CAD-scale:

N.T.S.

Drawing-size:

A4

Revision:

A

HENDERSON

P.C.HENDERSON LIMITED, BOWBURN, DURHAM DH6 5NG ENGLAND

Telephone: (0191) 3770701

Fax No.: (0191) 3771309

A COMPANY IN THE CARDO GROUP

.....
www.pchenderson.com