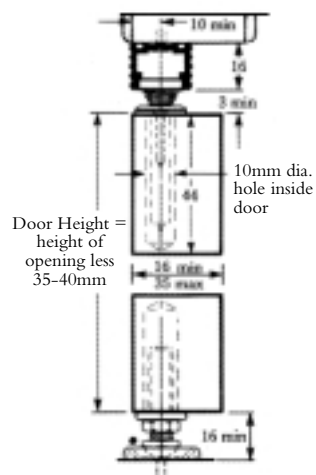
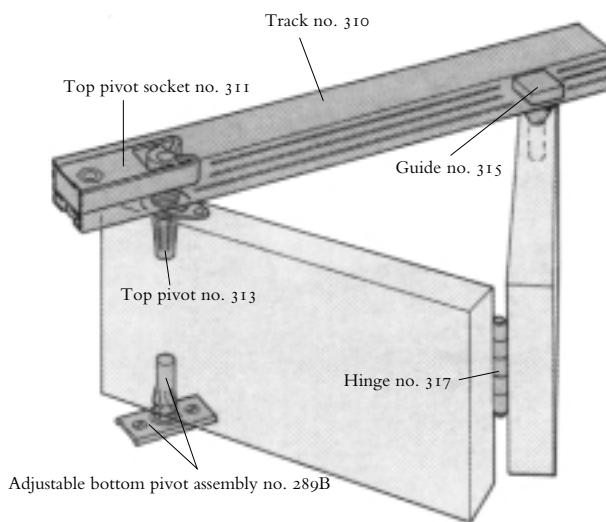


**FOR FOLDING
WARDROBE
DOORS TO 14KG**

BIFOLD

For opening widths to	No. leaves required	Kit no.
1067mm	2	B10/2
1525mm	4 (2x2)	B15/4
2135mm	4 (2x2)	B20/4
Max leaf size	2400 x 530 x 35mm	
Max leaf weight	14kg	



Easy-fit gear for wood or composite folding doors, with silent nylon spring-loaded guides in an aluminium top track. The spring-loaded end pivot arrangement allows leaves to fold completely flat for unhindered access to walk-in cupboards and wardrobes. No bottom track or door jamb required. Any number of two leaf units can be used for an opening, each anchored by top and bottom pivots.

KITS

Standard kits for 2 or 4 (2x2) leaves containing aluminium top track, nylon guides, pivots and sockets, bumper, hinges, aligner, screws, spanner and fixing instructions.

OPTIONAL EXTRAS

Optional extras include: 2-door fittings pack no. BF2, 4-door fittings pack no. BF4 (see pp 52-57 for full product description). Bulk component packs also available.

INSTALLATION NOTES

(also see drawing)

For doors with maximum 14kg single leaf weight, maximum 530mm wide x 2400mm high in maximum opening height 2440mm. Top and bottom pivots and guide must be securely fixed into door rails - minimum thickness 16mm, maximum thickness 35mm. Adjustable bottom pivot for ease of fitting.

All dimensions in mm