

An easy to fit kit for timber doors that requires no routing of the doors, as all components are surface mounted. Bottom rollers operate on aluminium rails producing a quiet, smooth operation.

### KITS

Standard kits for 2 or 3 doors contain: aluminium rail, face-fixed nylon-wheeled bottom rollers, face-fixed nylon guides, screws and fixing instructions.

### OPTIONAL EXTRAS

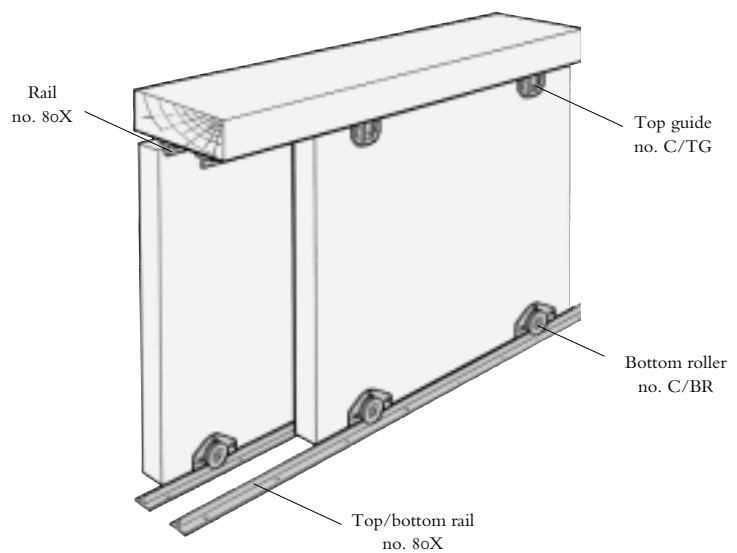
Optional extras include: fittings pack no. CI, flushpull no. 400 and semi-flush bolt no. 333. Bulk component packs are also available.

### INSTALLATION NOTES

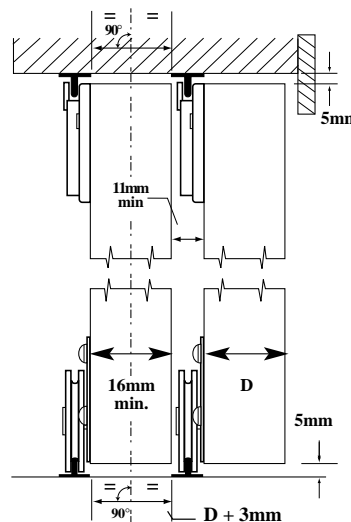
(Also see drawing)

For 2 and 3 door units with a maximum of 25kg door weight, width 920mm, height 2400mm and door thickness of 16mm - 40mm. Door construction must permit secure fixing of hanger plates. Butt joints on rail is not recommended.

For opening widths to	No. doors	Kit no.
1500mm	2	C15
1800mm	2	C18
2400mm	3	C24
<b>Max leaf size</b>	<b>2400 x 920 x 40mm</b>	
<b>Max leaf weight</b>	<b>25kg</b>	



### SOFFIT FIXED



All dimensions in mm