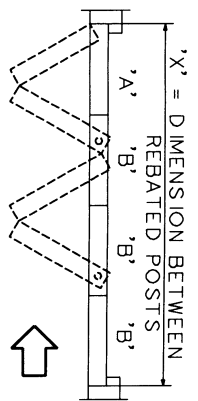
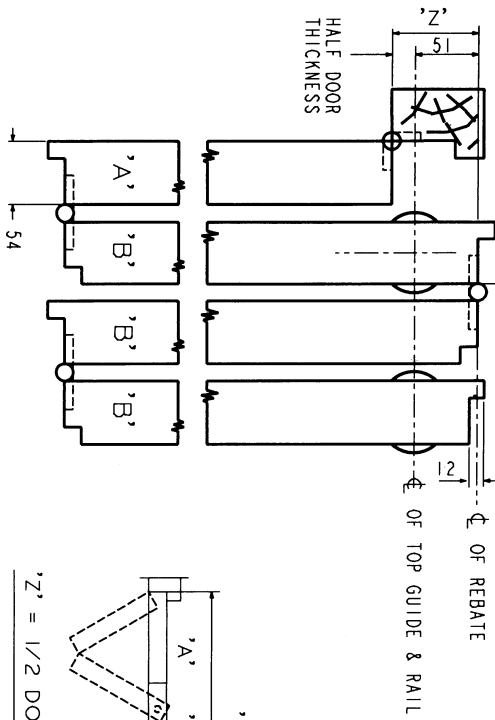


JOINERY INSTRUCTIONS

COLLEGE
ENDFOLD 140

FOUR LEAF UNIT HINGED TO POST

BUITS 102 X 75 NOT OFFSET TO POST
REMAINDER OFFSET 6



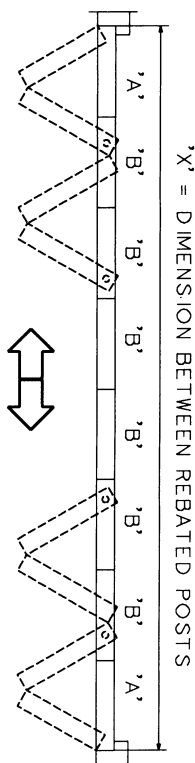
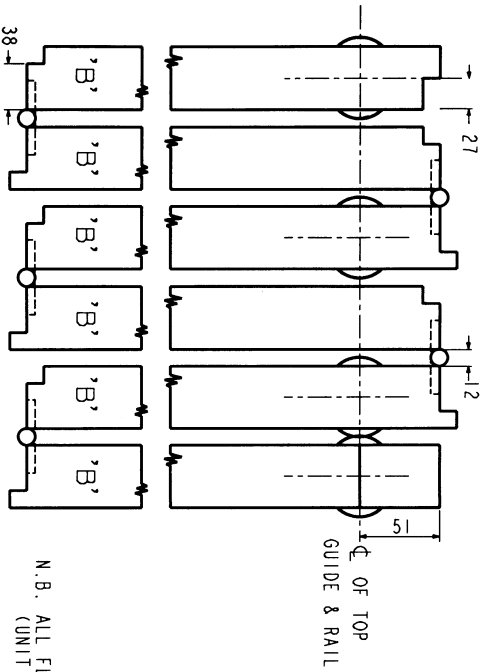
$$\frac{'X' + 'Z'}{4} = \text{WIDTH OF LEAVES MARKED 'B'}$$

$$\text{LEAF WIDTH 'A' = 'B' - 'Z'}$$

IMPORTANT :-

LEAF WIDTHS ARE TO THE
Ø OF HINGE PINNILES,
ESSENTIAL CLEARANCES
TO BE ALLOWED FOR.

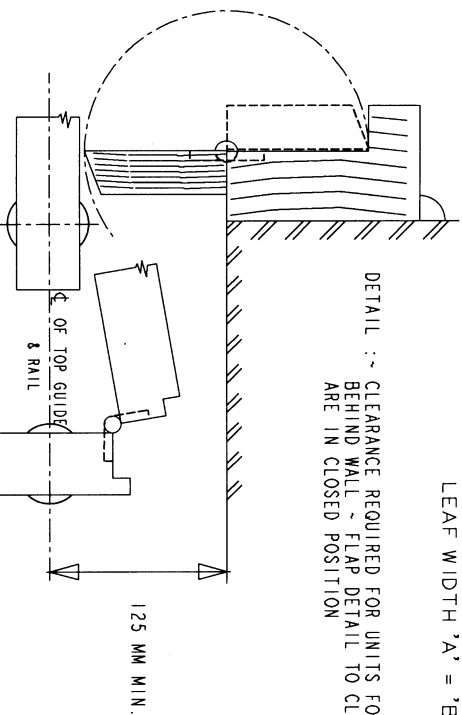
SIX LEAF 'FLOATING' UNIT



$$\frac{'X' + 'Z'}{8} = \text{WIDTH OF LEAVES MARKED 'B'}$$

$$\text{LEAF WIDTH 'A' = 'B' - 'Z'}$$

DETAIL :- CLEARANCE REQUIRED FOR UNITS FOLDING OR 'FLOATING'
BEHIND WALL ~ FLAP DETAIL TO CLOSE GAP WHEN UNITS
ARE IN CLOSED POSITION



N.B. ALL FLOATING LEAVES ARE EQUAL (SAME AS 'B')
(UNIT HINGED TO POST MUST BE 4 OR 6 LEAVES)

See also: College Operating and Maintenance Instructions No.2769