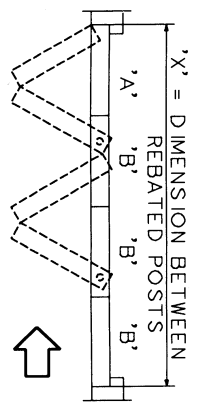
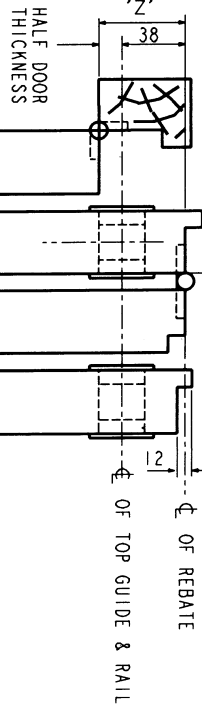


# JOINERY INSTRUCTIONS

## COLLEGE ENDFOLD 70

### FOUR LEAF UNIT HINGED TO POST

BUTTS 102 X 51 NOT OFFSET TO POST  
REMAINDER OFFSET 6



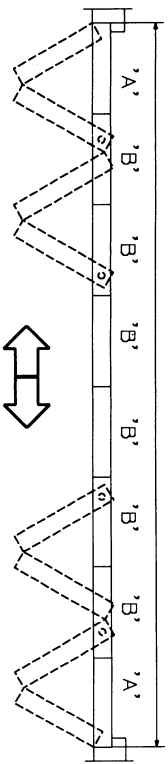
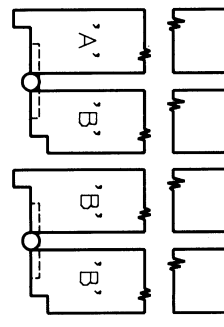
'X' = 1/2 DOOR THICKNESS + 38

$$\frac{'X' + 'Z'}{4} = \text{WIDTH OF LEAVES MARKED 'B'}$$

LEAF WIDTH 'A' = 'B' - 'Z'

IMPORTANT :-

LEAF WIDTHS ARE TO THE  
OF HINGE POINTLES,  
ESSENTIAL CLEARANCES  
TO BE ALLOWED FOR.

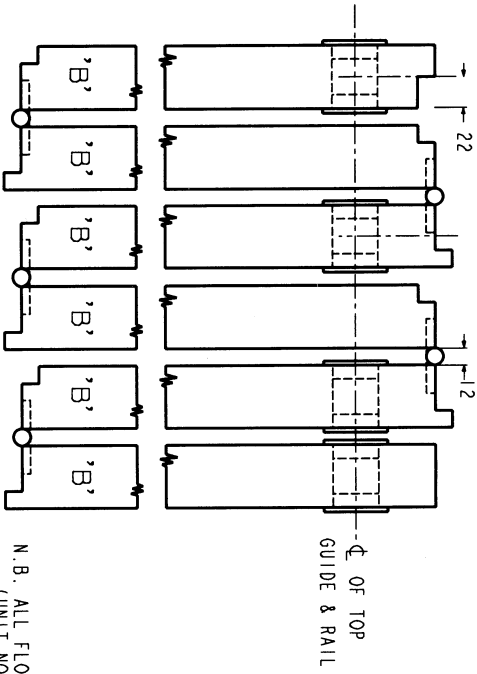


'Z' = 1/2 DOOR THICKNESS + 38

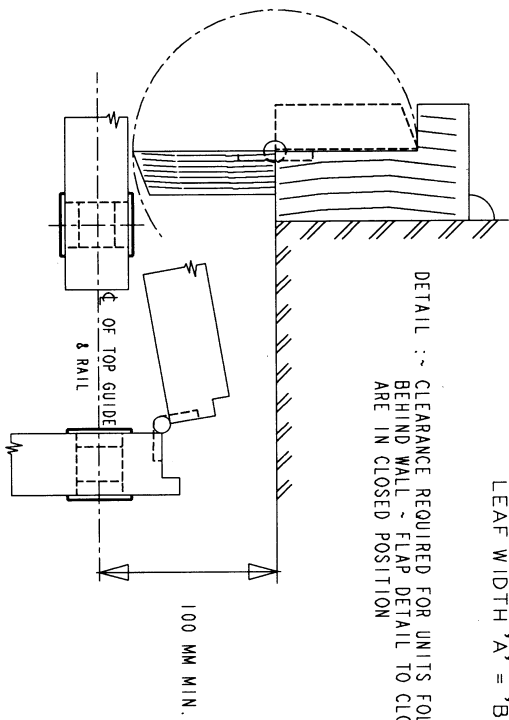
$$\frac{'X' + 'Z' + 'Z'}{8} = \text{WIDTH OF LEAVES MARKED 'B'}$$

LEAF WIDTH 'A' = 'B' - 'Z'

### SIX LEAF 'FLOATING' UNIT



N.B. ALL FLOATING LEAVES ARE EQUAL (SAME AS 'B')  
(UNIT NOT HINGED TO POST - MUST BE IN 4 OR 6 LEAVES)



DETAIL :- CLEARANCE REQUIRED FOR UNITS FOLDING OR 'FLOATING'  
BEHIND WALL - FLAP DETAIL TO CLOSE GAP WHEN UNITS  
ARE IN CLOSED POSITION

HENDERSON

See also: College Operating and Maintenance Instructions No.2769