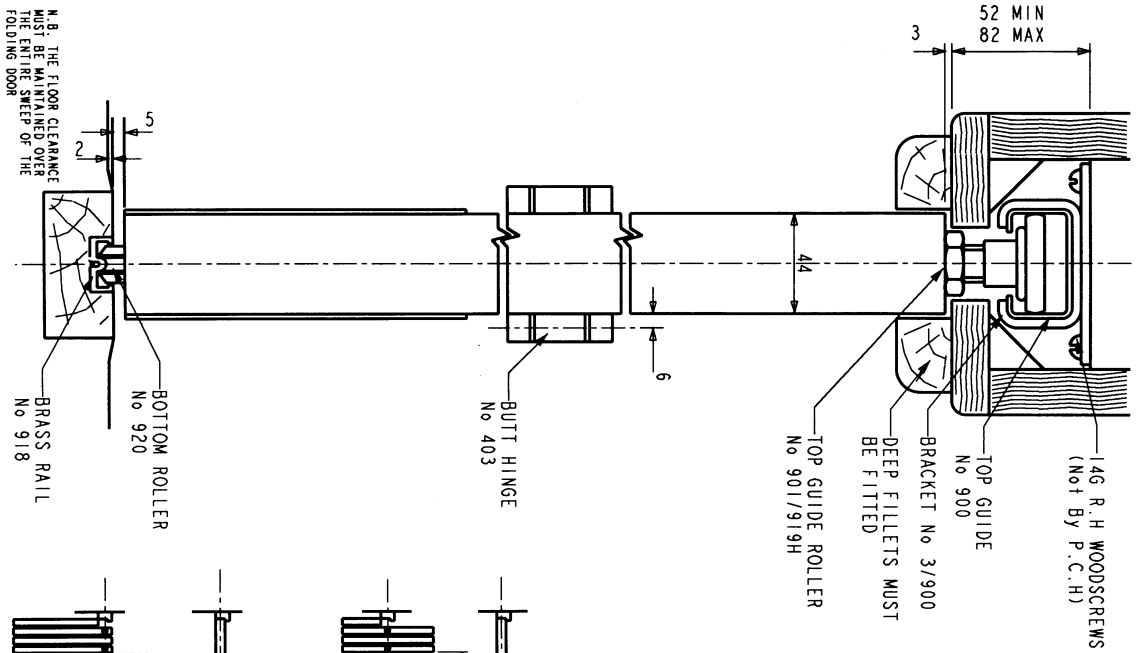


# JOINERY INSTRUCTIONS

## COLLEGE ENDFOLD AND CENTREFOLD 70, 140



### HENDERSON FOLDING PARTITION GEARS OPERATING & MAINTENANCE INSTRUCTIONS

#### TO EXTEND THE PARTITION

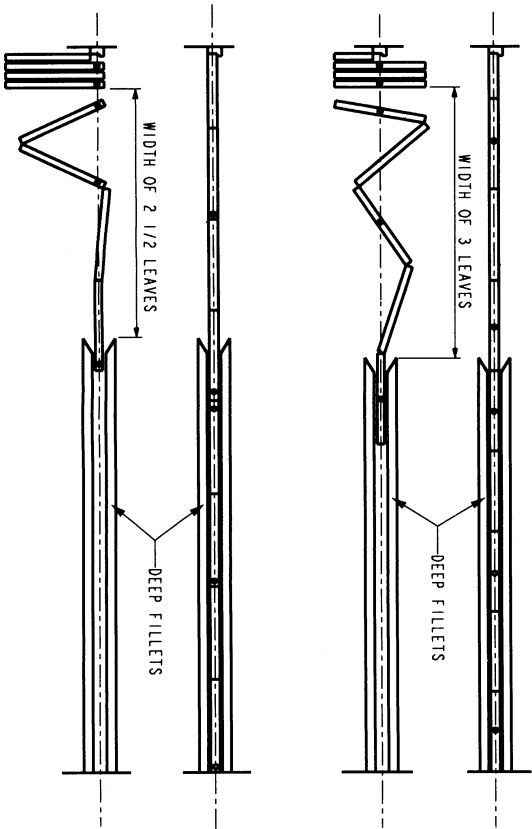
Feed the door leaves carefully into the guide fillets fitted at ceiling height, draw the door into a fully extended position & secure with door bolts.

#### TO FOLD THE PARTITION

Close & secure wicket door (if fitted), release all door bolts & commence folding the door leaves from the hanging post end. Floating units must be drawn in and extended form to the parking position before folding id commenced.

#### MAINTENANCE

Keep bottom rails or channels clear of obstructions. At least once a year inspect running-gear and fittings for free operation. Inspect all fixings and screws & bolts, including those securing brackets & top guide/track, ensure that all are tight. Persistent problems with especially the hinge fixing screws are usually an indication that lead widths or hinge centre distances are incorrect.



TYPICAL PLAN CENTREFOLDING

3 1/2 LEAVES HINGED TO POST  
5 LEAVES FLOATING

TYPICAL PLAN ENDFOLDING

4 LEAVES HINGED TO POST  
4 LEAVES FLOATING

N.B. TYPICAL COLLEGE 70 DETAILS ARE SHOWN. COLLEGE 140 ARE AN EXACT DUPLICATE OF THOSE SHOWN. REFER TO DATA SHEET FOR FURTHER INFORMATION.

HENDERSON