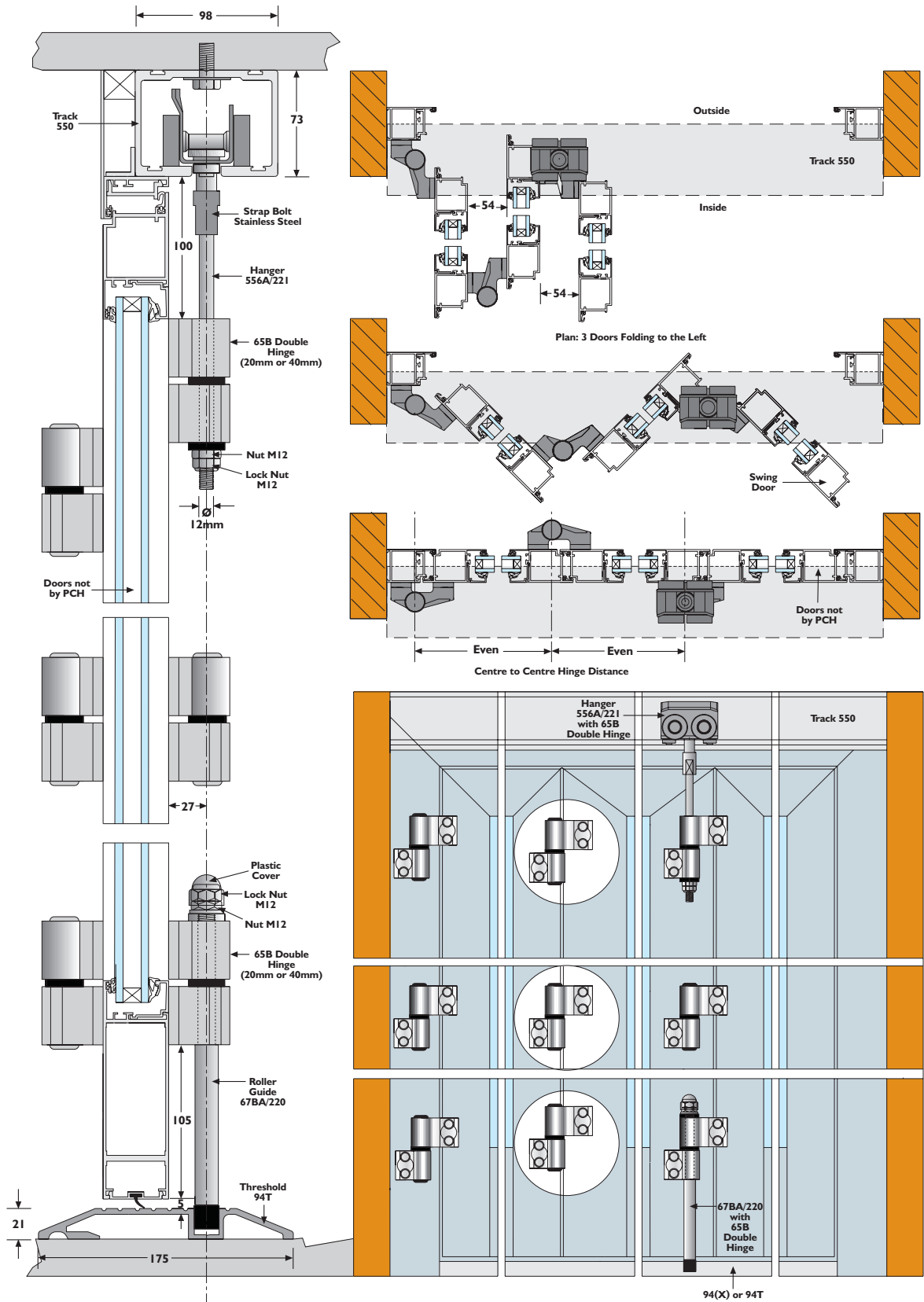


# FLEXIROL EXTERIOR ENDFOLD FOR ALUMINIUM DOORS



## CAPACITY

Max. door weight: 125kg  
 Max. door height: 4500mm  
 Max. door width: 1200mm  
 Door thickness: 43mm-57mm

## APPLICATIONS

Top-hung Flexirol gear and fittings for end folding aluminium doors. Leaves can be hung to the left or right of an opening.

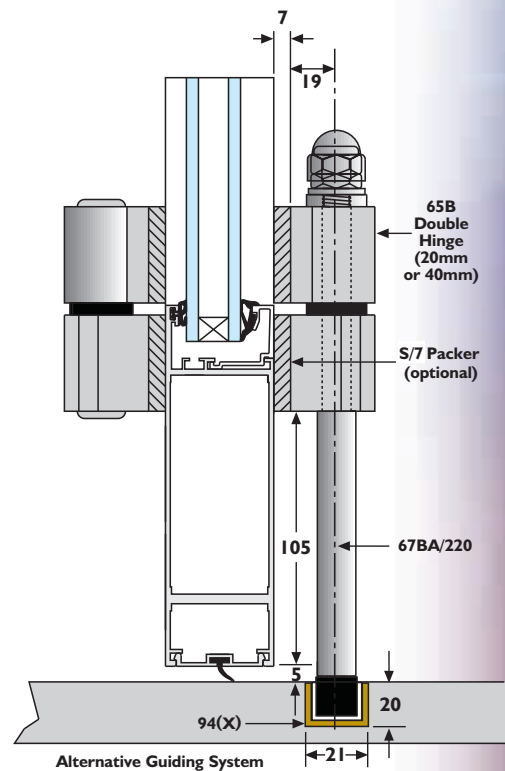
## DOOR TYPES

Flexirol Exterior Endfold is suitable for aluminium doors.  
**Fixing components are not supplied as standard for aluminium doors.**



## TECHNICAL INFORMATION

Track:	Aluminium	550
Brackets:	Face fix (fixed at 500mm intervals) Joining track	1A/550 3S/550
Hangers:	Intermediate or end hanger for timber/ aluminium doors with 221 mm strapbolt, no hinge	556A/221
Guides:	Intermediate guide for aluminium with 220mm spindle, no hinge End guide for aluminium doors with 180mm spindle, no hinge	67BA/220 68BA/180
Guide Channel:	Brass Aluminium Aluminium threshold/guide channel	94 94X 94T
Hinges:†	20mm single hinge for timber doors 20mm double hinge for timber doors 40mm single hinge for timber doors 40mm double hinge for timber doors 20-40mm double hinge for timber doors	65B/20/1 65B/20 65B/40/1 65B/40 65B/20-40
Accessories:	Flush pull Flush bolts Narrow flush bolt and keep 7mm packer	400 333/454 F3715 & F3734 S/7 (optional, depending on frame and track layout)



\* All with stainless steel strapbolt/spindle.

† For aluminium doors use in conjunction with a 60B mounting kit.

Consult with PCH Technical Department for extrusion compatibility.



Hinges for hangers and guides must be ordered separately.  
 Use a single hinge for end hangers and guides, double hinge  
 for intermediate hangers and guides.