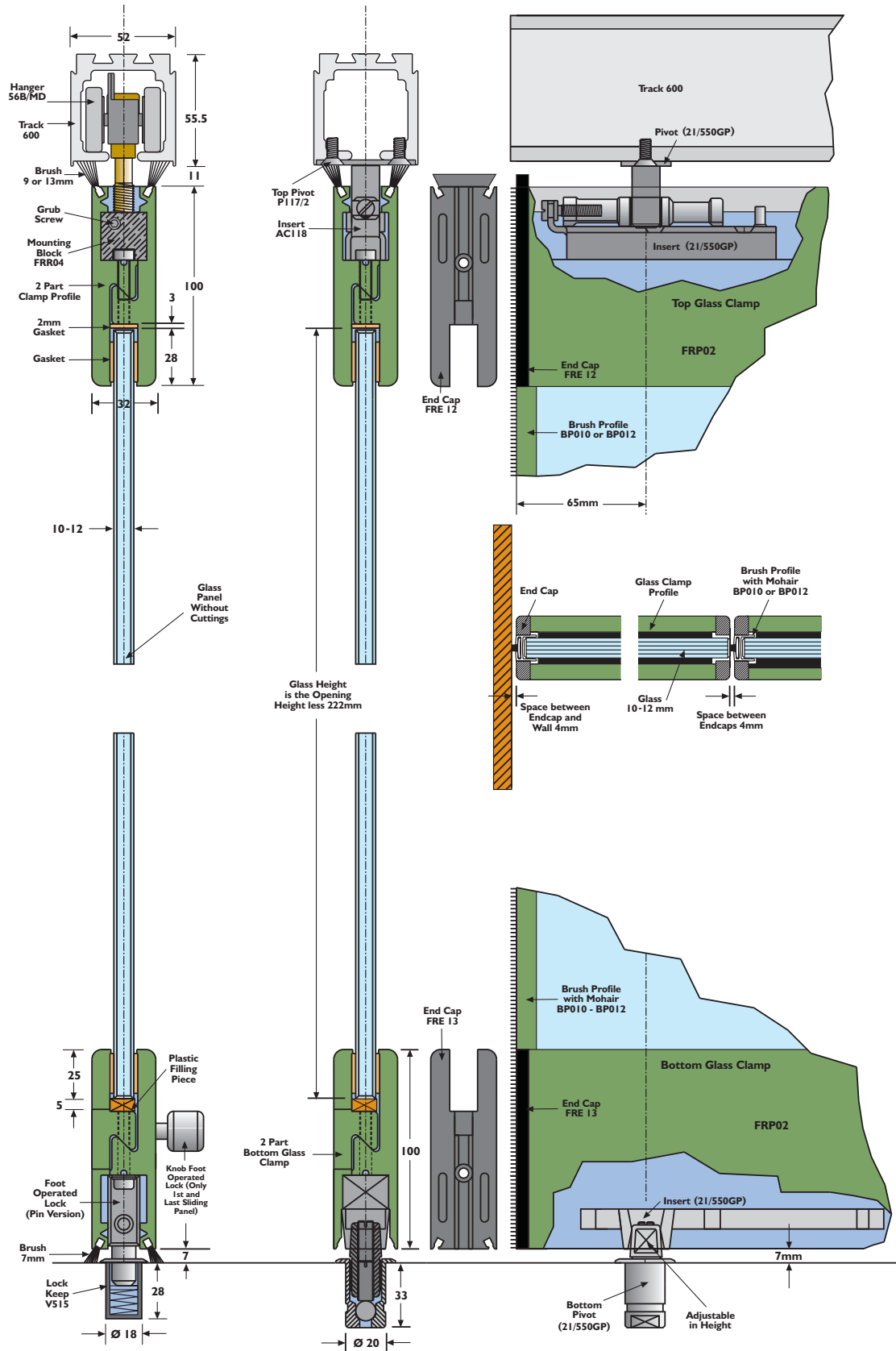


# PACER

# MULTIDIRECTIONAL FOR GLASS DOORS



## CAPACITY

Max. door weight: 120kg  
 Max. door height: 3000mm  
 Max. door width: 1200mm  
 Panel thickness: 10mm or 12mm

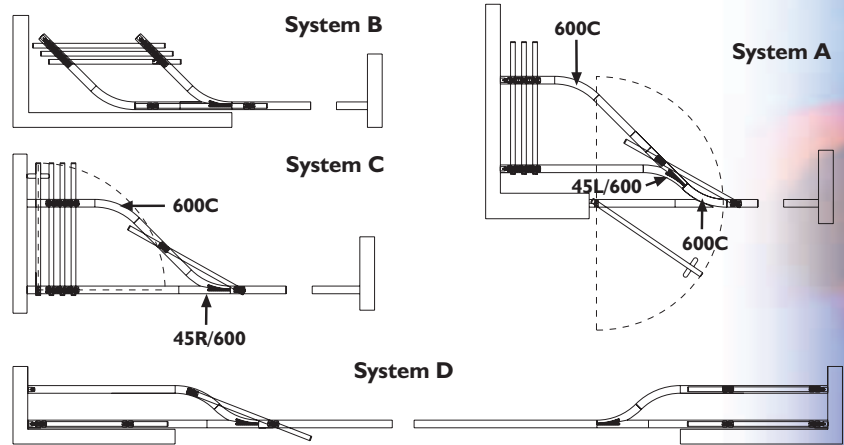
## APPLICATIONS

The Pacer multidirectional system for glass is a system for both interior and exterior applications. Panels can be secured by either full length glass profile or patch fittings.

## DOOR TYPES

BS6206 toughened glass panels of 10 or 12mm thickness.

Note: when using glass clamps in combination with protective coatings for glass surfaces such as Clear Shield, ensure that the glass surface to be clamped is not treated with the Clear Shield coating.



## TECHNICAL INFORMATION

Track: 600 (extruded aluminium)  
 Available in 2000mm, 2500mm,  
 3000mm, 3500mm, 4000mm  
 and 6000mm lengths

Intersects: Right-hand intersect 45R/600  
 Left-hand intersect 45L/600

Curves: 45° curve 600C

Brackets: Face fix IB  
 Jointing bracket IBX

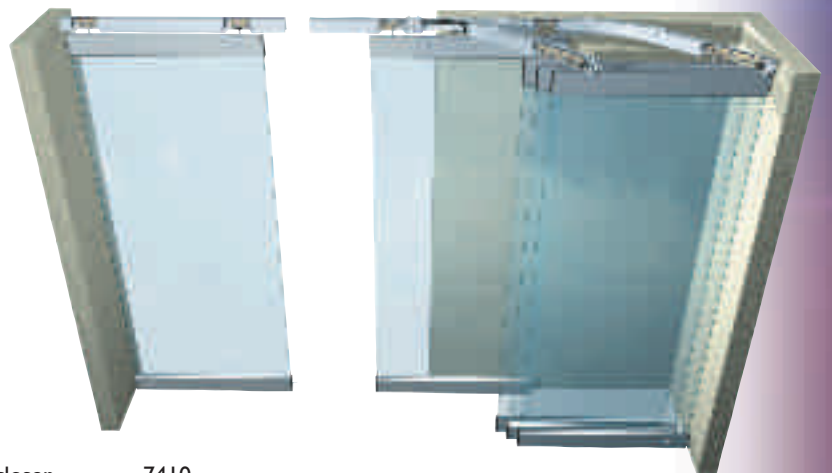
Hangers: 56B/MD

Glass Profiles: Top/bottom profile FRP02  
 Swing/slide profile FRP01

Pivots: Glass pivot set 21/550GP

Accessories: Track stop HH3/290  
 Door closers Floor spring closer 7410  
 Swing/sliding floor spring 7305  
 Handle sets H22/200 D - handle 22mm dia. 200mm long  
 H22/300 D - handle 22mm dia. 300mm long  
 H33/220 D - handle 33mm dia. 220mm long  
 H33/300 D - handle 33mm dia. 300mm long

(Standard handle set finishes are silver anodised and white RAL9010.  
 Other finishes are available on request.)



# PACER

# MULTIDIRECTIONAL FOR GLASS DOORS

