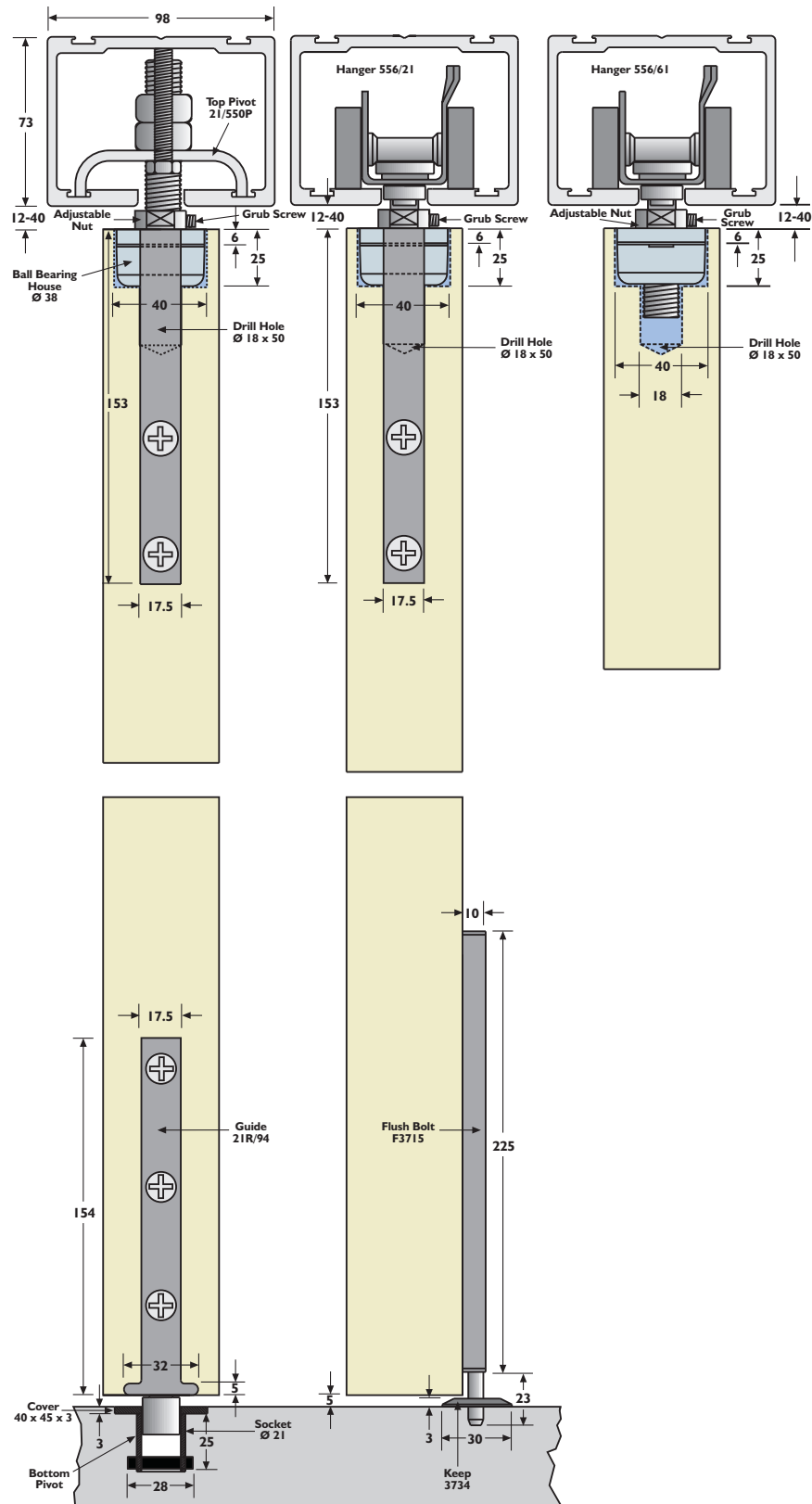


# FLEXIROL 135°

## MULTIDIRECTIONAL

### SYSTEM FOR TIMBER

### AND ALUMINIUM DOORS



## CAPACITY

Max. door weight:	500kg (2 hangers per leaf)
	250kg (1 hanger per leaf)
Max. door height:	6000mm
Max. door width:	6000mm
Door thickness:	50mm-100mm
Max. swing door width:	1200mm

## APPLICATIONS

Multidirectional Flexirol is ideally suited to hotels, conference centres, shop-fronts, showrooms, any site that requires high performance and the flexibility of 135° movement.

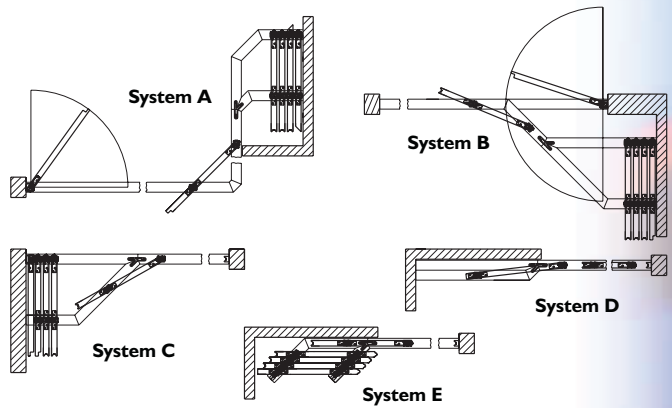
## DOOR TYPES

Heavy commercial timber and aluminium doors.

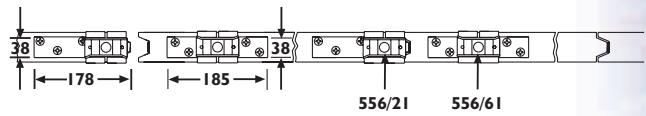
## TECHNICAL INFORMATION

Track:	550 (extruded aluminium)	
Intersects:	135° right-hand	45R/550
	135° left-hand	45L/550
Elbows:	135° swept elbow	H135/550
	90° swept elbow	H90C/550
Brackets:	Face fix	1A/550
	Soffit fix	3S/550
Hangers:	Angle plate fixing	556/21
	Concealed fixing	556/61
Pivots:	Pivot set	21/550P
Accessories:	Track stop	HH3/301
	Flush pull	400
	Flush bolts	333/454
	Narrow flush bolt and keep	F3715 & F3734
	Door closers	Floor spring closer 7410
		Transom closer 5600

## 135° Configurations



## Door Rebates



## Example Rebated Doors

