

# PACER GLASS



## CAPACITY

Max. door weight: 75kg and 130kg  
 Max. door height: 3000mm  
 Max. door width: 3000mm  
 Glass thickness: 8mm, 10mm and 12mm

## APPLICATIONS

The Pacer Glass Door System accommodates both sliding and fixed door panels, making it ideal for interior dividers in offices and shops as well as modern buildings and complexes.

## DOOR TYPES

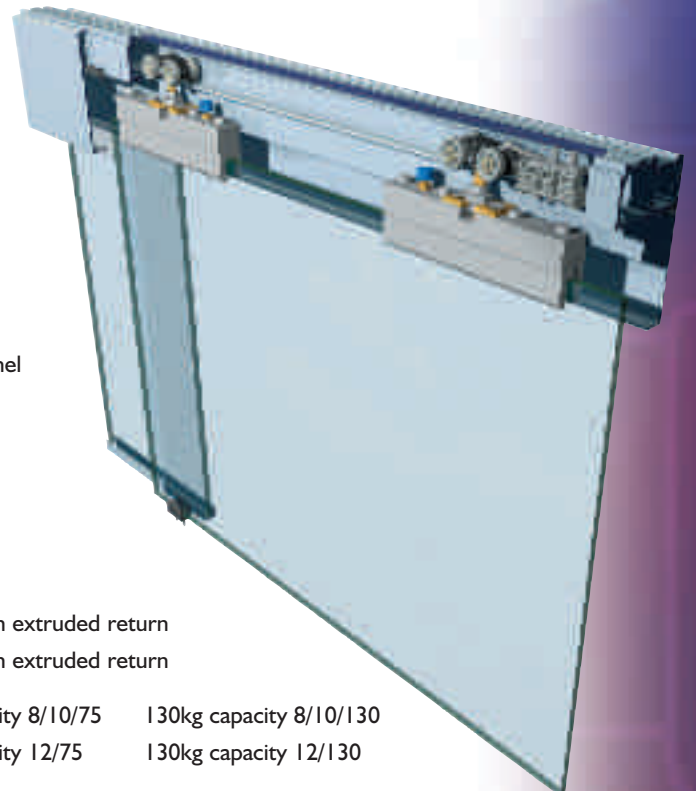
Glass panels of 8mm, 10mm or 12mm thickness in BS6206 toughened glass. For fixed glass panels an integrated track profile (600CFP) is available, allowing a sliding panel to pass alongside the fixed panel. A further option available is a clip-on profile (600FP) which attaches directly to the side of the track. This allows a combination of two fixed panels with a sliding panel.

Clip-on fascia is available for both soffit fix and face fix situations.

Note: when using glass clamps in the combination with protective coatings for glass surfaces such as Clear Shield, ensure that the glass surface to be clamped is not treated with the Clear Shield coating.

## TECHNICAL INFORMATION

Track:	600 600CFP combination profile - track and fixed glass panel 600FP fixed glass panel profile All profiles available in 2000mm, 2500mm, 3000mm, 3500mm, 4000mm and 6000mm lengths	
Brackets:	Face fix Jointing bracket	1B 1BX
Fascias:	Soffit fixed track Face fixed track	F160X with extruded return F200X with extruded return
Glass Clamp Kits:	8mm or 10mm glass panels 12mm glass panels Kits consist of two 56 hanger assemblies, two glass clamp assemblies, a 608 and 610 or 612 guide and two 601P retaining stops.	75kg capacity 8/10/75    130kg capacity 8/10/130 75kg capacity 12/75    130kg capacity 12/130
Accessories:	Handle sets (see Technical Department) Sliding door lock for glass panels Sliding door receiving lock Brush profiles (see Technical Department) Track stop Retaining stop mounted within the track	618SA (10mm and 12mm glass only) 619SA (10mm and 12mm glass only) HH3/290 601P



# PACER GLASS

