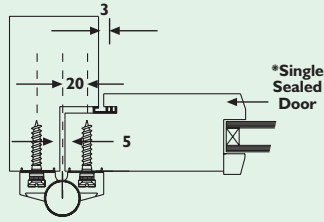
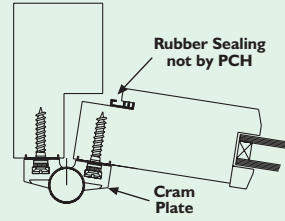


# HINGE INSTALLATION

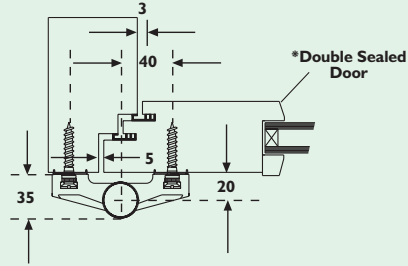
Standard Fixing to Post  
(Flush) Hinge 65B/20



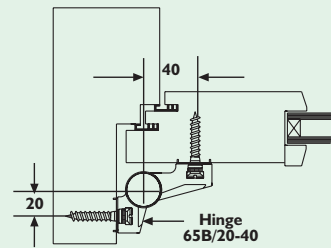
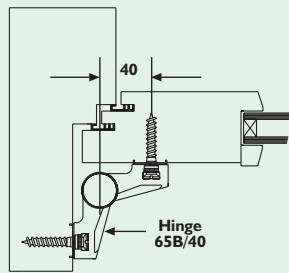
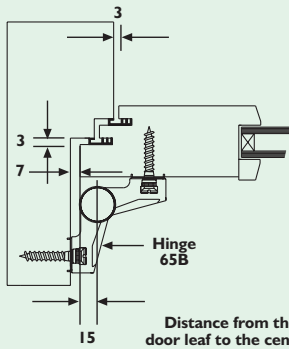
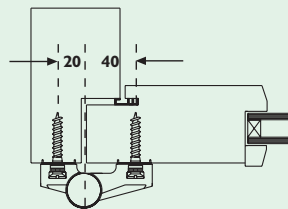
Door Just Folding



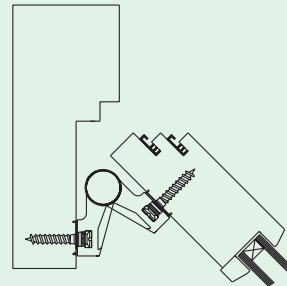
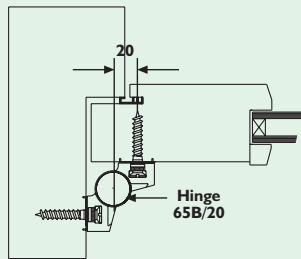
Standard Fixing to Post  
(Flush) Hinge 65B/40



Standard Fixing to Post  
(Flush) Hinge 65B/20-40



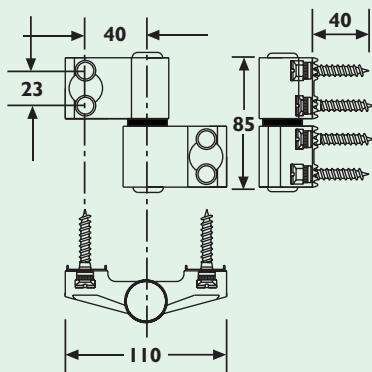
Distance from the edge of the door leaf to the centre of the hinge



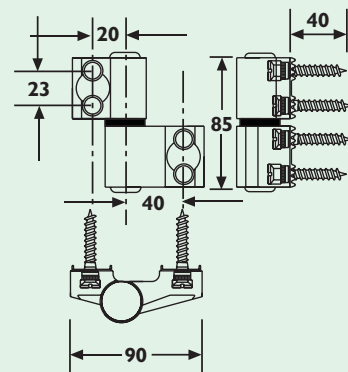
# COMPONENTS

## HINGES

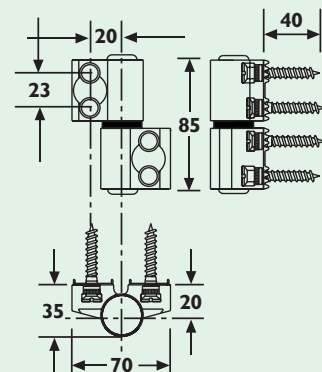
65B/40



65B/20-40

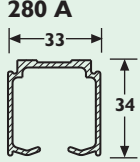


65B/20



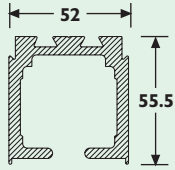
# TRACK, INTERSECTS AND CURVES

## Husky



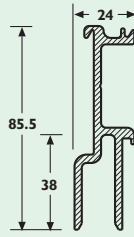
## Pacer

### 600 Track



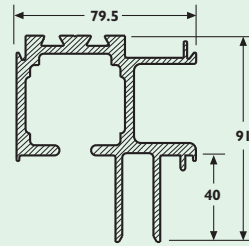
## Pacer

### 600 FP



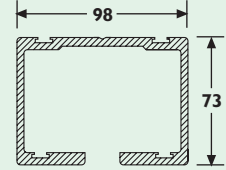
## Pacer

### 600 CFP



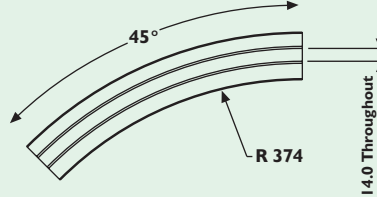
## Flexirol

### 550 Track

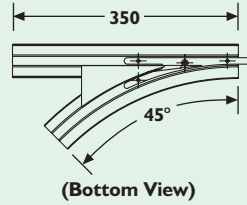


## PACER CURVES/INTERSECTS (Bottom Views)

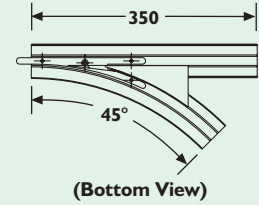
### Pacer Curve 600 C



### Pacer Switch 45R/600

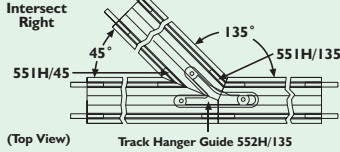


### Pacer Switch 45L/600

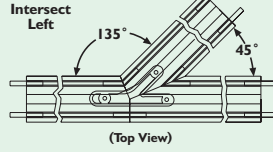


## FLEXIROL 556 JUNCTIONS/INTERSECTS (Top Views)

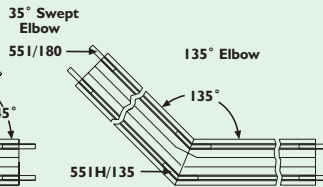
### .45R/550



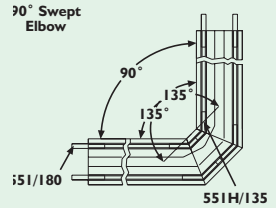
### .45L/550



### H135/550

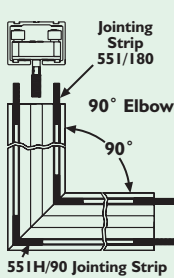


### H90C/550

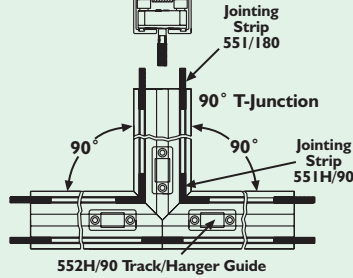


## FLEXIROL 555 JUNCTIONS/INTERSECTS

### H90/550



### TW/550

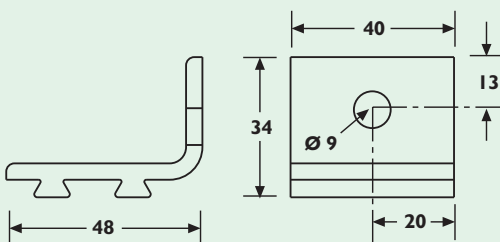


Pacer track supplied in mill finish as standard. Flexirol track supplied in mill finish and RAL 9010 as standard.

# BRACKETS

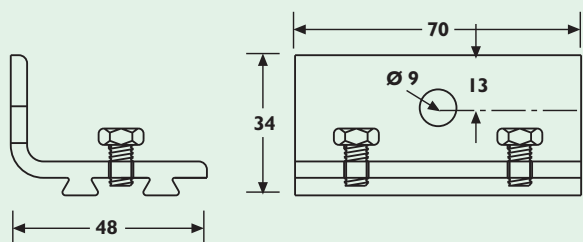
## Pacer

### Bracket IB



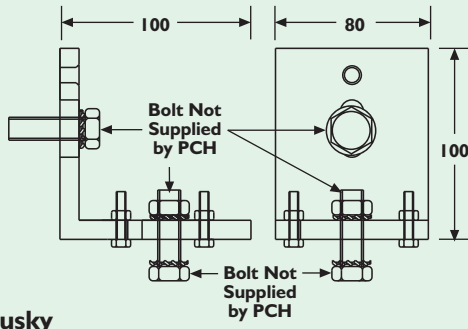
## Pacer

### Jointing Bracket IBX

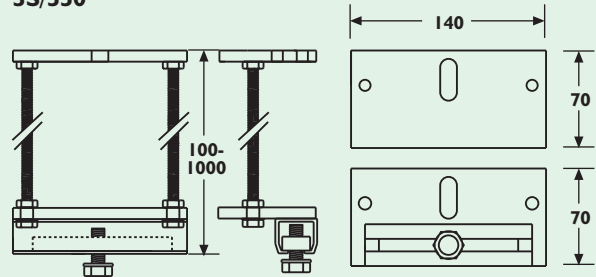


# BRACKETS

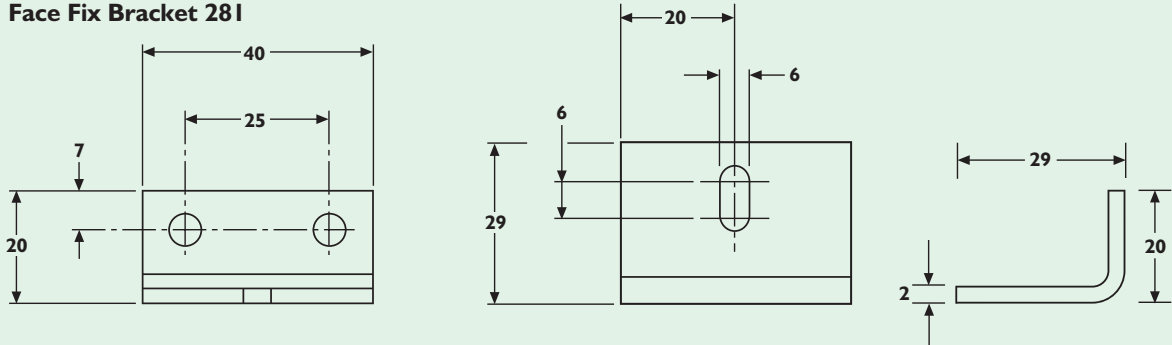
**Flexirol  
1A/550**



**Flexirol  
3S/550**



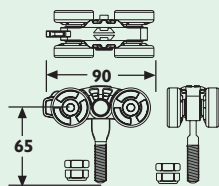
**Husky  
Face Fix Bracket 281**



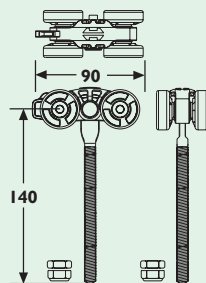
# HANGERS

## PACER HANGERS

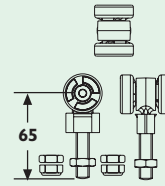
**56B**



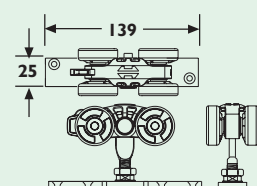
**56BX**



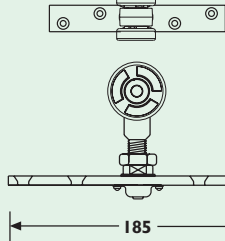
**56 1/2 B**



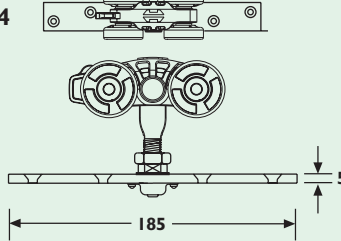
**57B**



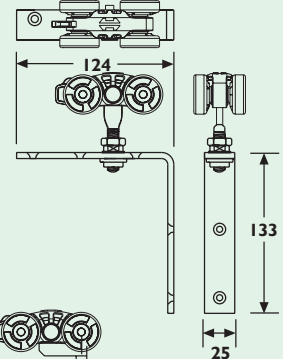
**61B**



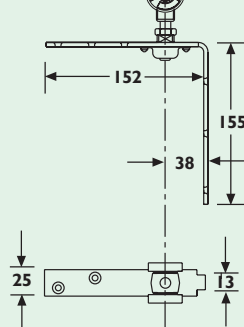
**61B/4**



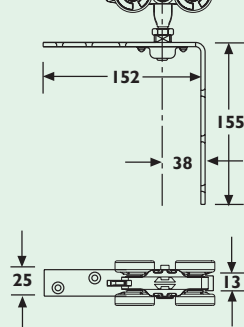
**52B**



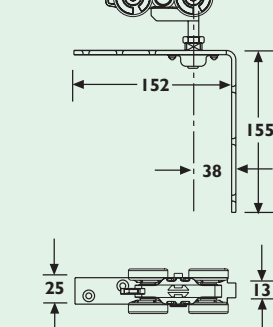
**21B**



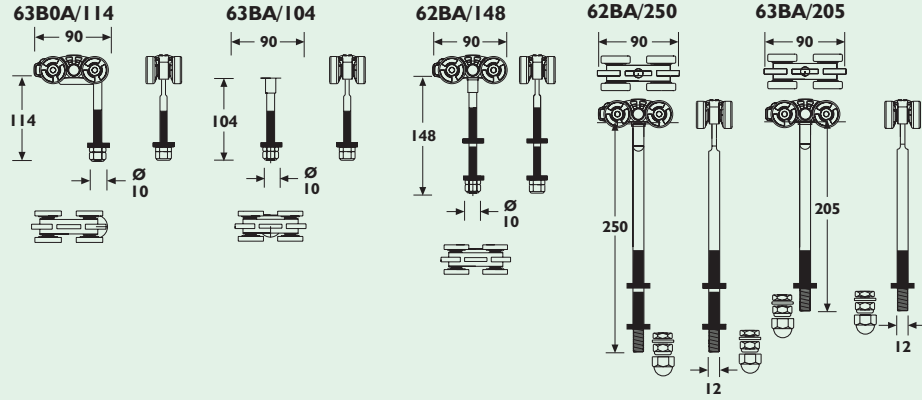
**21B/4**



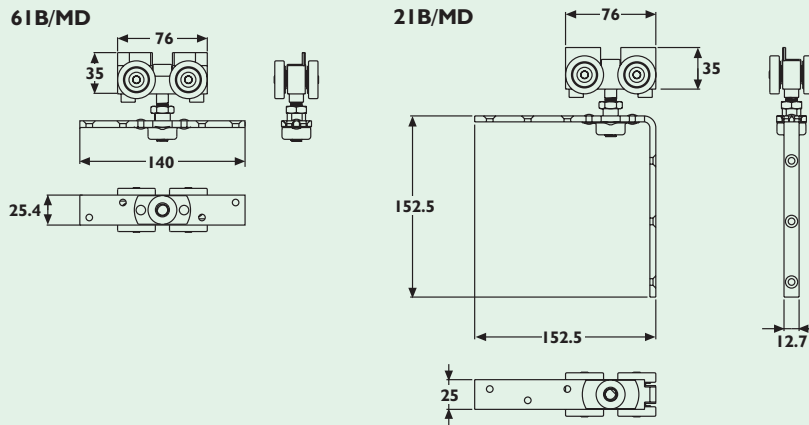
**21B0/4**



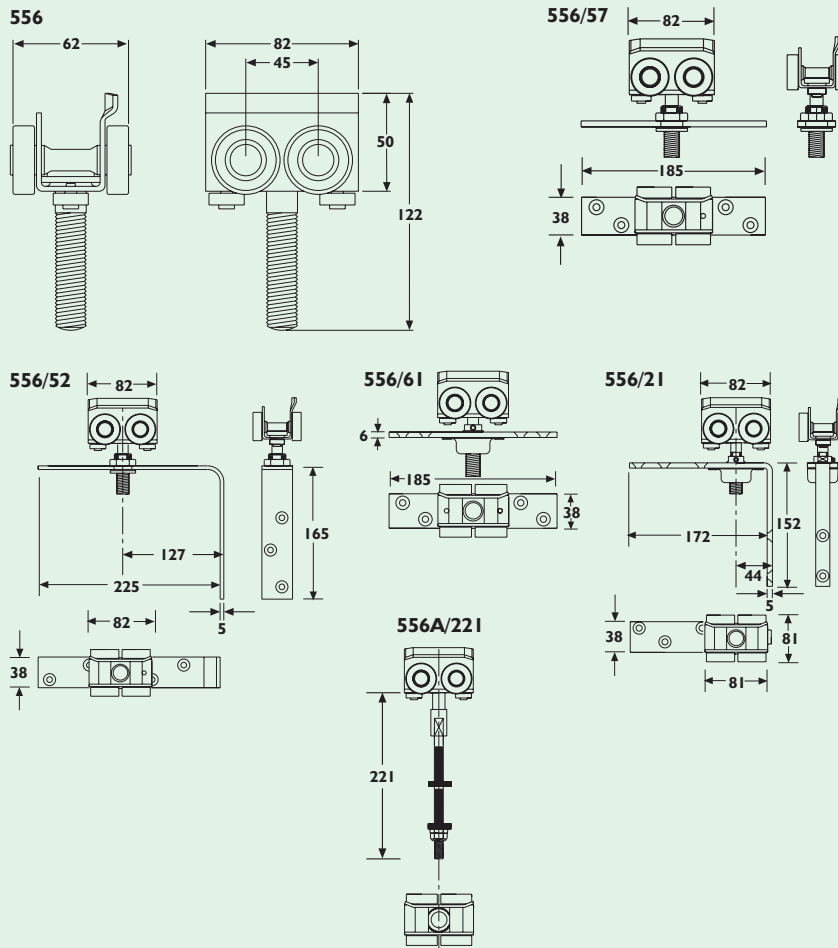
## PACER HANGERS



## PACER MULTIDIRECTIONAL HANGERS

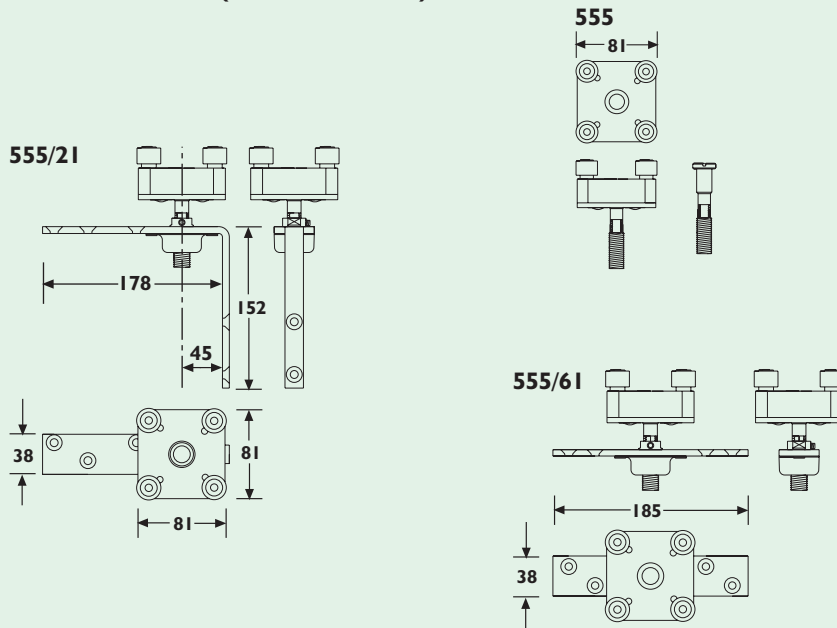


## FLEXIROL HANGERS (135° movement)

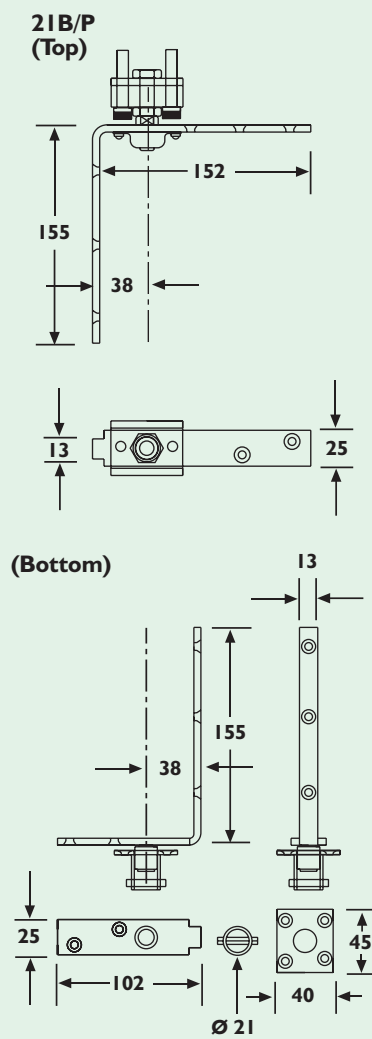


# HANGERS

## FLEXIROL HANGERS (90° movement)

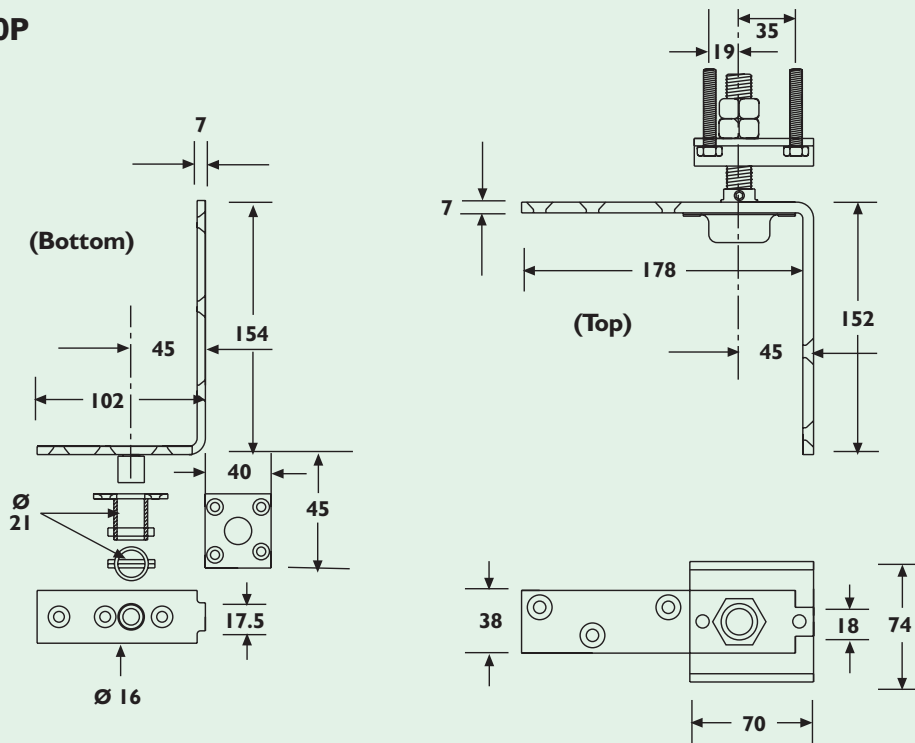


# PIVOT SETS

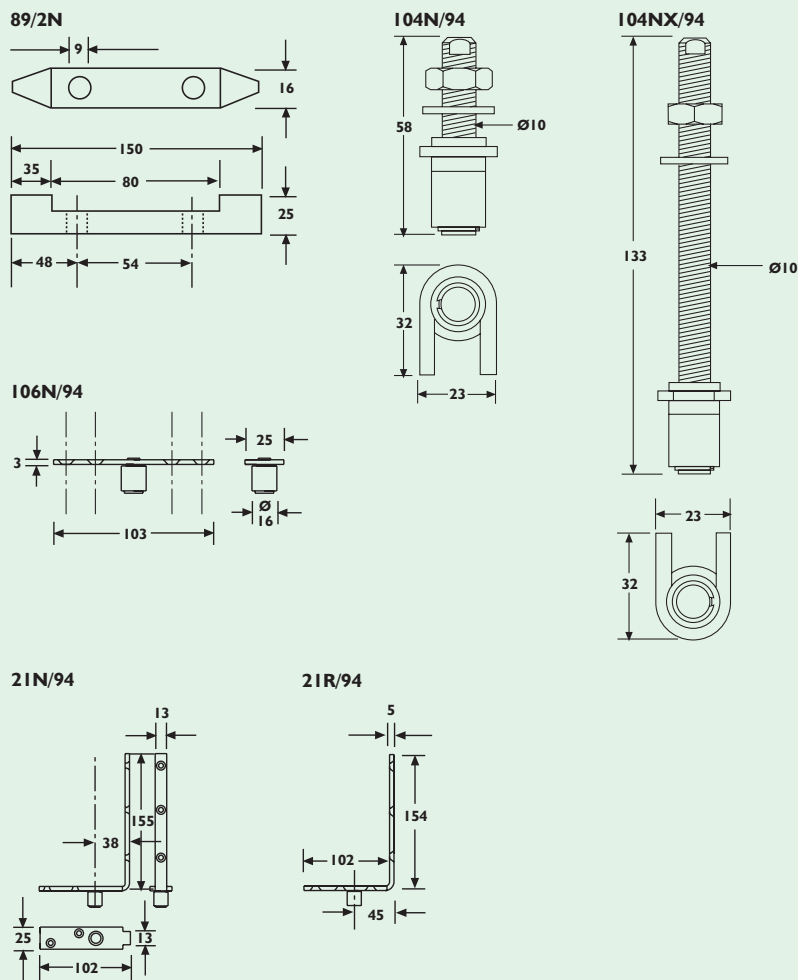


# PIVOT SETS

## 21/550P

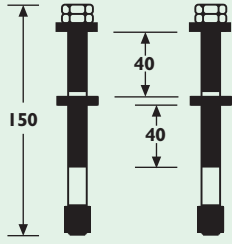


# GUIDES

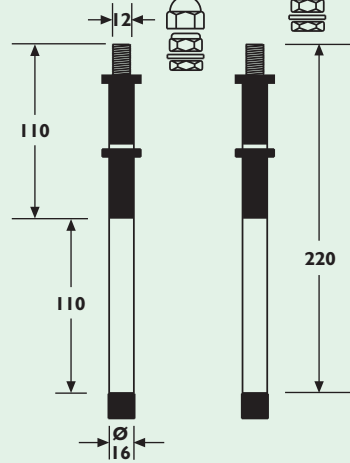


# GUIDES

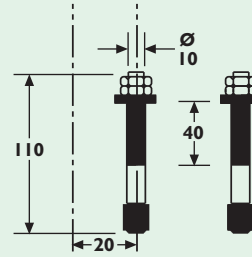
67BA/150



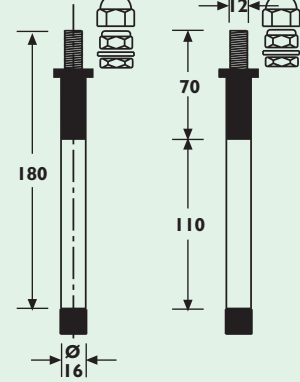
67BA/220



68BA/110

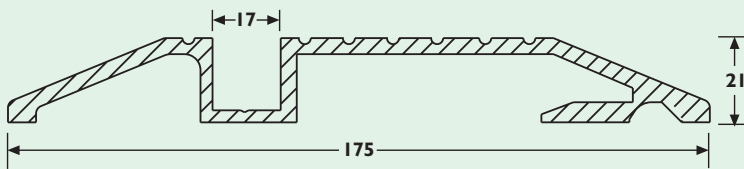


68BA/180

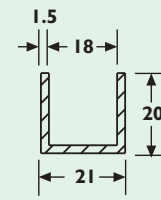


# GUIDE CHANNEL

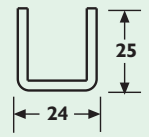
94T Threshold



94(X) Channel



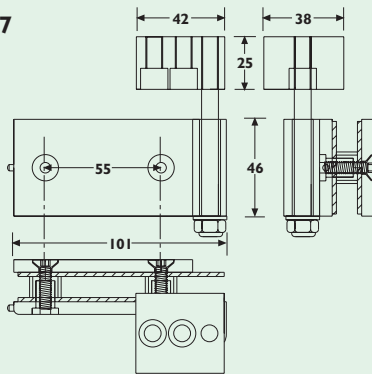
89 Channel



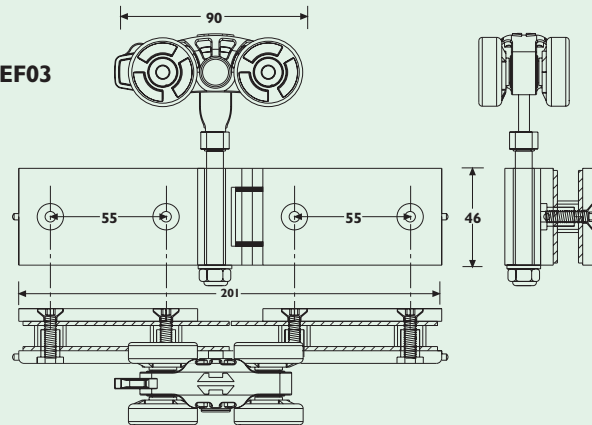
# GLASS FITTINGS

PACER ENDFOLD

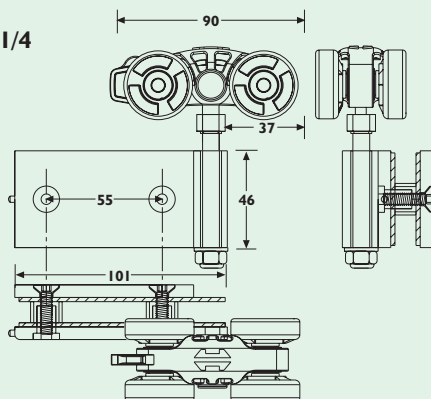
EF07



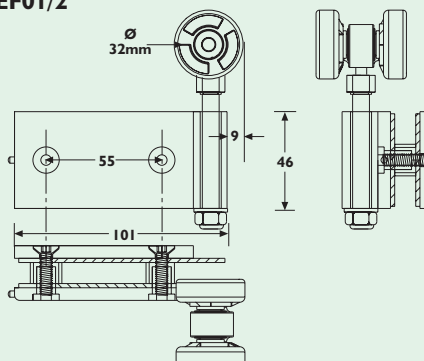
EF03



EF01/4

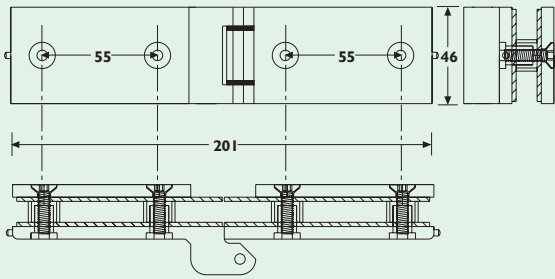


EF01/2

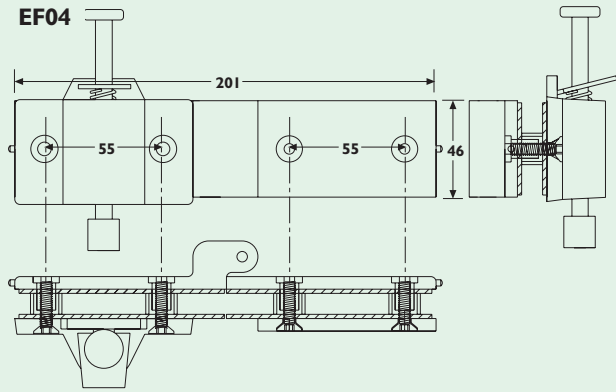


# GLASS FITTINGS

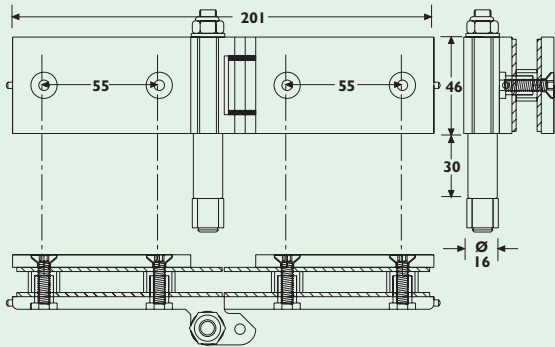
**EF05**



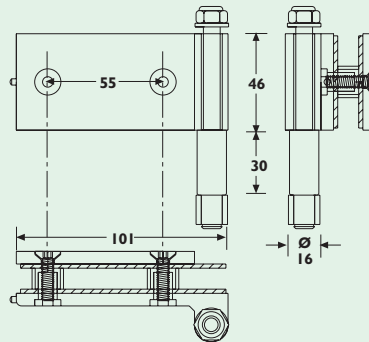
**EF04**



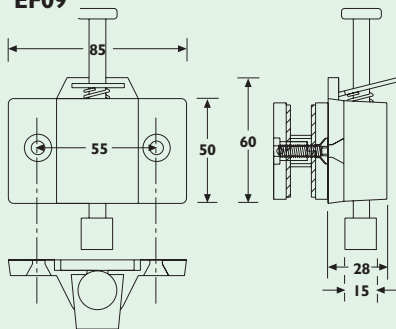
**EF06**



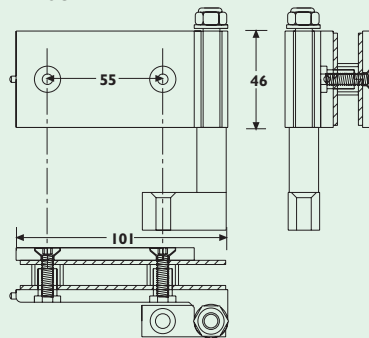
**EF02**



**Loose Bolt  
EF09**



**EF08**

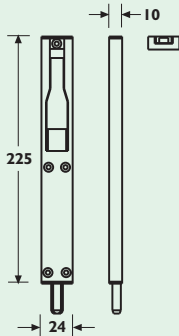


† Standard hinge finishes: White (RAL 9010), Polished Anodised, Silver Anodised and Black Anodised.

For glass cutting dimensions contact Hendersons.

# ACCESSORIES AND STOPS

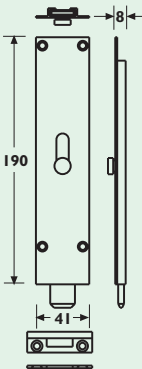
**F3715**



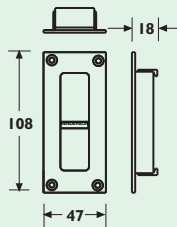
**333**



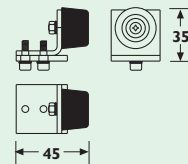
**454**



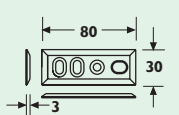
**400**



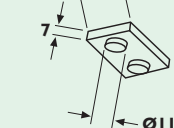
**Pacer  
HH3/290**



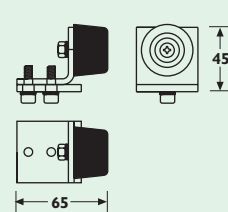
**F3734**



**S7**



**Flexirol  
HH3/301**





# GUIDE TO QUANTITIES

**Folding doors** - Folding door units consist of a number of leaves in timber, aluminium or glass hinged together. Wide units usually slide and fold in two parts, to the right and left. Cover extra wide openings by three or more units, the centre units floating.

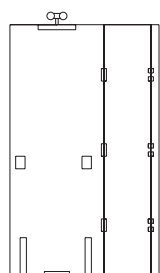
**Brackets** - The space between brackets should be a maximum of 500mm. A bracket must be fixed 50mm from each end of the track. An additional bracket should be fixed above the stacking area (i.e. above the leaves when the system is in the open position).

**Fittings** - Having selected the track, now extract the fittings and quantities shown in the relative column. Sidewall or soffit fixed brackets are available.

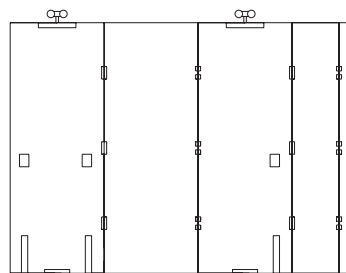
**Track** - Select the track according to the height or weight per leaf. Quantities are shown at the foot of data sheet over.

Figure numbers of centre folding partition fittings  
For height or weight per leaf stated below

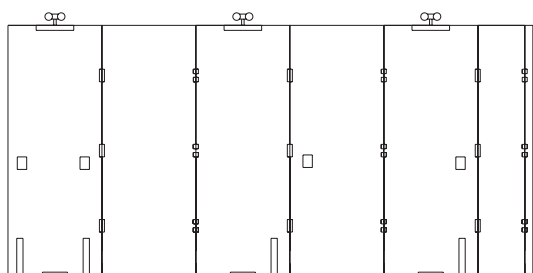
## INTERIOR CENTREFOLDING SYSTEMS



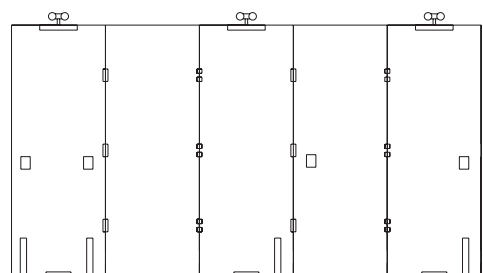
1 1/2 leaves,  
centre folding hinged to post



3 1/2 leaves, centre folding hinged to post



5 1/2 leaves, centre folding hinged to post



5 leaves centre folding "floating"

Item	Quantity	2700mm high or 35kg	2700mm high or 75kg	4500mm high or 125kg
------	----------	---------------------	---------------------	----------------------

Track	—	600	600	—
Brackets	see notes	1B	1B	1A/550 or 3S/550
Hanger	1	61B	61B/4	556/61
Hinges	6*	403 89 x 50	403 100 x 55	403 100 x 75
Guide	1	106N	106N	106N
Channel	—	94 or 94X	94 or 94X	94 or 94X
Flush pull	2	400	400	400
Flush bolt	2	333/454 or F3715	333/454 or F3715	333/454 or F3715

\* For doors exceeding 3000mm high increase to 8

Track	—	600	600	550
Brackets	see notes	1B	1B	1A/550 or 3S/550
Hanger	2	61B	61B/4	556/61
Hinges	12*	403 89 x 50	403 100 x 55	403 100 x 75
Guide	2	106N	106N	106N
Channel	—	94 or 94X	94 or 94X	94 or 94X
Flush pull	3	400	400	400
Flush bolt	3	333/454 or F3715	333/454 or F3715	333/454 or F3715

\* For doors exceeding 3000mm high increase to 16

Track	—	600	600	550
Brackets	see notes	1B	1B	1A/550 or 3S/550
Hanger	3	61B	61B/4	556/61
Hinges	18*	403 89 x 50	403 100 x 55	403 100 x 75
Guide	3	106N	106N	106N
Channel	—	94 or 94X	94 or 94X	94 or 94X
Flush pull	4	400	400	400
Flush bolt	4	333/454 or F3715	333/454 or F3715	333/454 or F3715

\* For doors exceeding 3000mm high increase to 24

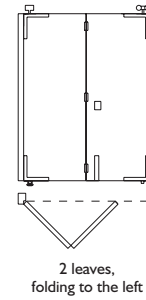
Track	—	600	600	550
Brackets	see notes	1B	1B	1A/550 or 3S/550
Hanger	3	61B	61B/4	556/61
Hinges	12*	403 89 x 50	403 100 x 55	403 100 x 75
Guide	3	106N	106N	106N
Channel	—	94 or 94X	94 or 94X	94 or 94X
Flush pull	2	400	400	400
Flush bolt	2	333/454 or F3715	333/454 or F3715	333/454 or F3715

a\* For doors exceeding 3000mm high increase to 16

## INTERIOR ENDFOLDING SYSTEMS

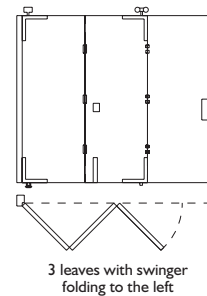
Item	Quantity	2700mm high or 35kg	4500mm high or 125kg
Track	—	600	550
Brackets	see notes	1B	3S/550
Hanger	1	21B	556/21
Pivot	1	21B/P	21/550P
Hinges	3*	403 89 x 50	403 100 x 75
Guide	1	21N/94	21R/94
Channel	—	94 or 94X	94 or 94X
Flush pull	1	400	400
Flush bolt	1	333/454 or F3715	333/454 or F3715
Lock and handles	1	—	—

\* For doors exceeding 3000mm high increase to 4



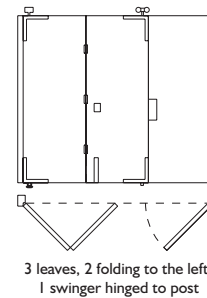
Track	—	600	550
Brackets	see notes	1B	3S/550
Hanger	1	21B/4	556/21
Pivot	1	21B/P	21/550P
Hinges	6*	403 89 x 50	403 100 x 75
Guide	1	21N/94	21R/94
Channel	—	94 or 94X	94 or 94X
Flush pull	1	400	400
Flush bolt	2	333/454 or F3715	333/454 or F3715
Lock and handles	1	—	—

\* For doors exceeding 3000mm high increase to 8



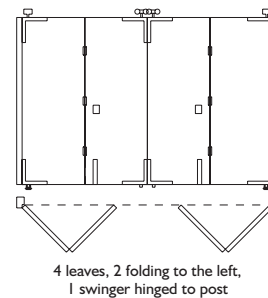
Track	—	600	550
Brackets	see notes	1B	3S/550
Hanger	1	21B	556/21
Pivot	1	21B/P	21/550P
Hinges	6*	403 89 x 50	403 100 x 75
Guide	1	21N/94	21R/94
Channel	—	94 or 94X	94 or 94X
Flush pull	1	400	400
Flush bolt	1	333/454 or F3735	333/454 or F3715
Lock and handles	1	—	—

\* For doors exceeding 3000mm high increase to 8



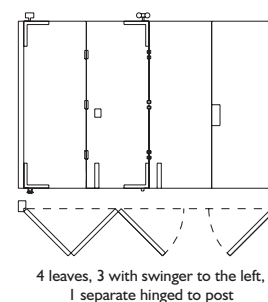
Track	—	600	550
Brackets	see notes	1B	3S/550
Hanger	2	21B	556/21
Pivot	2	21B/P	21/550P
Hinges	6*	403 89 x 50	403 100 x 75
Guide	2	21N/94	21R/94
Channel	—	94 or 94X	94 or 94X
Flush pull	2	400	400
Flush bolt	2	333/454 or F3715	333/454 or F3715
Lock and handles	1	—	—

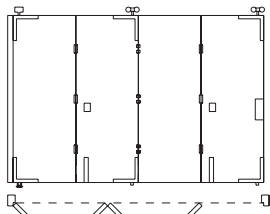
\* For doors exceeding 3000mm high increase to 8



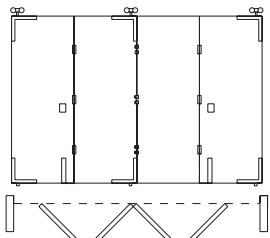
Track	—	600	550
Brackets	see notes	1B	3S/550
Hanger	1	21B/4	556/21
Pivot	1	21B/P	21/550P
Hinges	9*	403 89 x 50	403 100 x 75
Guide	1	21N/94	21R/94
Channel	—	94 or 94X	94 or 94X
Flush pull	1	400	400
Flush bolt	2	333/454 or F3715	333/454 or F3715
Lock and handles	1	—	—

\* For doors exceeding 3000mm high increase to 12

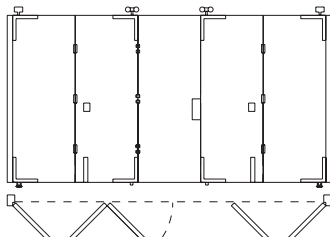




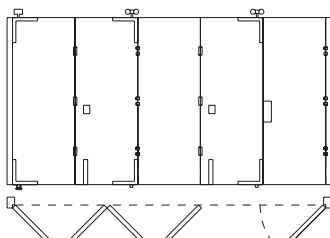
4 leaves folding to the left



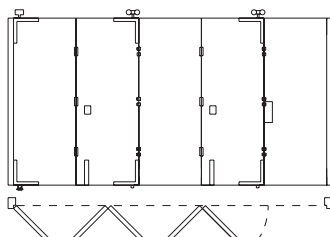
4 leaves "floating"



5 leaves, 3 to the right with swinger,  
2 to the left



5 leaves, 4 to the right,  
1 separate swinger



5 leaves with swinger

Item	Quantity	2700mm high or 35kg	4500mm high or 125kg
Track	—	600	550
Brackets	see notes	1B	3S/550
Hanger	2	21B	556/21
Pivot	1	21B/P	21/550P
Hinges	9*	403 89 x 50	403 100 x 75
Guide	2	21N/94	21R/94
Channel	—	94 or 94X	94 or 94X
Flush pull	2	400	400
Flush bolt	2	333/454 or F3715	333/454 or F3715
Lock and handles	1	—	—

\* For doors exceeding 3000mm high increase to 12

Item	Quantity	2700mm high or 35kg	4500mm high or 125kg
Track	—	600	550
Brackets	see notes	1B	3S/550
Hanger	3	21B	556/21
Hinges	9*	403 89 x 50	403 100 x 75
Guide	3	21N/94	21R/94
Channel	—	94 or 94X	94 or 94X
Flush pull	2	400	400
Flush bolt	2	333/454 or F3715	333/454 or F3715
Lock and handles	1	—	—

\* For doors exceeding 3000mm high increase to 12

Item	Quantity	2700mm high or 35kg	4500mm high or 125kg
Track	—	600	550
Brackets	see notes	1B	3S/550
Hanger	2	21B	556/21
Pivot	2	21B/P	21/550P
Hinges	9*	403 89 x 50	403 100 x 75
Guide	2	21N/94	21R/94
Channel	—	94 or 94X	94 or 94X
Flush pull	2	400	400
Flush bolt	2	333/454 or F3715	333/454 or F3715
Lock and handles	1	—	—

\* For doors exceeding 3000mm high increase to 12

Item	Quantity	2700mm high or 35kg	4500mm high or 125kg
Track	—	600	550
Brackets	see notes	1B	3S/550
Hanger	2	21B	556/21
Pivot	1	21B/P	21/550P
Hinges	12*	403 89 x 50	403 100 x 75
Guide	2	21N/94	21R/94
Channel	—	94 or 94X	94 or 94X
Flush pull	2	400	400
Flush bolt	2	333/454 or F3715	333/454 or F3715
Lock and handles	1	—	—

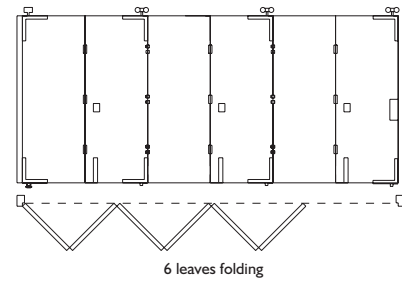
\* For doors exceeding 3000mm high increase to 16

Item	Quantity	2700mm high or 35kg	4500mm high or 125kg
Track	—	600	550
Brackets	see notes	1B	3S/550
Hanger	2	21B	556/21
Pivot	1	21B/P	21/550P
Hinges	12*	403 89 x 50	403 100 x 75
Guide	2	21N/94	21R/94
Channel	—	94 or 94X	94 or 94X
Flush pull	2	400	400
Flush bolt	2	333/454 or F3715	333/454 or F3715
Lock and handles	1	—	—

\* For doors exceeding 3000mm high increase to 16

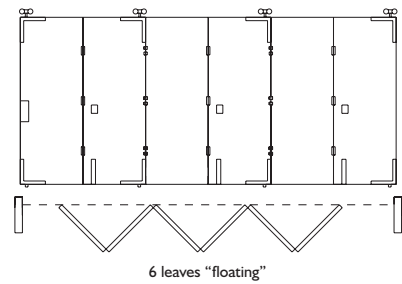
Item	Quantity	2700mm high or 35kg	4500mm high or 125kg
Track	—	600	550
Brackets	see notes	1B	3S/550
Hanger	3	21B	556/21
Pivot	1	21B/P	21/550P
Hinges	15*	403 89 x 50	403 100 x 75
Guide	3	21N/94	21R/94
Channel	—	94 or 94X	94 or 94X
Flush pull	3	400	400
Flush bolt	3	333/454 or F3715	333/454 or F3715
Lock and handles	1	—	—

\* For doors exceeding 3000mm high increase to 20



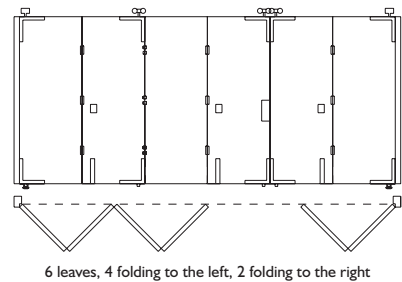
Track	—	600	550
Brackets	see notes	1B	3S/550
Hanger	4	21B	556/21
Hinges	15*	403 89 x 50	403 100 x 75
Guide	4	21N/94	21R/94
Channel	—	94 or 94X	94 or 94X
Flush pull	3	400	400
Flush bolt	3	333/454 or F3715	333/454 or F3715
Lock and handles	1	—	—

\* For doors exceeding 3000mm high increase to 20



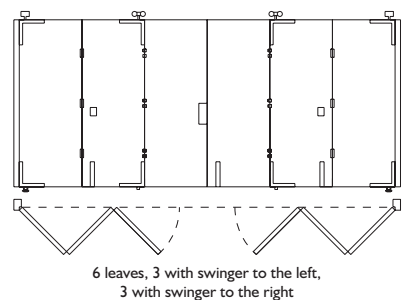
Track	—	600	550
Brackets	see notes	1B	3S/550
Hanger	3	21B	556/21
Pivot	2	21B/P	21/550P
Hinges	12*	403 89 x 50	403 100 x 75
Guide	3	21N/94	21R/94
Channel	—	94 or 94X	94 or 94X
Flush pull	3	400	400
Flush bolt	3	333/454 or F3715	333/454 or F3715
Lock and handles	1	—	—

\* For doors exceeding 3000mm high increase to 16



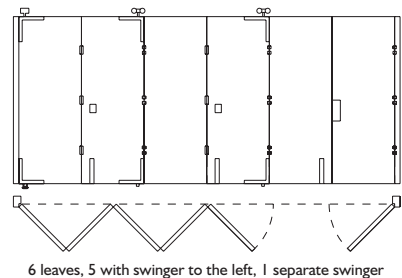
Track	—	600	550
Brackets	see notes	1B	3S/550
Hanger	2	21B	556/21
Pivot	2	21B/P	21/550P
Hinges	12*	403 89 x 50	403 100 x 75
Guide	2	21N/94	21R/94
Channel	—	94 or 94X	94 or 94X
Flush pull	2	400	400
Flush bolt	3	333/454 or F3715	333/454 or F3715
Lock and handles	1	—	—

\* For doors exceeding 3000mm high increase to 16

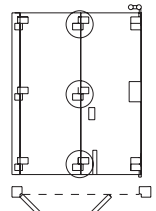


Track	—	600	550
Brackets	see notes	1B	3S/550
Hanger	2	21B	556/21
Pivot	1	21B/P	21/550P
Hinges	15*	403 89 x 50	403 100 x 75
Guide	2	21N/94	21R/94
Channel	—	94 or 94X	94 or 94X
Flush pull	2	400	400
Flush bolt	3	333/454 or F3715	333/454 or F3715
Lock and handles	1	—	—

\* For doors exceeding 3000mm high increase to 20



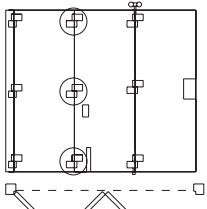
# EXTERIOR ENDFOLDING SYSTEMS



2 leaves hinged to post folding to the left

Item	Quantity	PACER Timber 65kg	PACER Aluminium 65kg	FLEXIROL Timber 125kg	FLEXIROL Aluminium 125kg	PACER+ Glass 45kg
Track	—	600	600	550	550	600
Bracket	see notes	1B	1B	1A/550 or 3S/550	1A/550 or 3S/550	1B
Top Pivot	1	—	—	—	—	EF07
Bottom pivot	1	—	—	—	—	EF08
Hanger end	1	63BA/104	63BA/205	556A/221	556A/221	EF01/2 or EF01/4
Hinges*	—	6 x 65B/40 and 2 x 65B/40/1	6 x 65B/40 and 2 x 65B/40/1	6 x 65B/40 and 2 x 65B/40/1	6 x 65B/40 and 2 x 65B/40/1	1 x EF05
Guide end	1	68BA/110	68BA/180	68BA/110	68BA/180	EF02
Channel	—	94T-94 or 94X	94T-94 or 94X	94T-94 or 94X	94T-94 or 94X	94T-94 or 94X
Flush pull	1	400	—	400	—	—
Flush bolt	1	333/454 or F3715 + F3734	F3715 + F3734	454 or F3715 + F3734	F3715 + F3734	EF04 (double hinge)
Lock	1	—	—	—	—	618

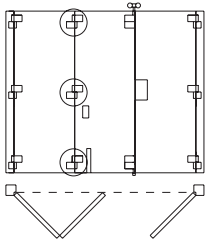
Note: 20mm hinges and 20-40mm offset hinges also available.



3 leaves hinged to post, with swinger folding to the left

Track	—	600	600	550	550	600
Bracket	see notes	1B	1B	1A/550 or 3S/550	1A/550 or 3S/550	1B
Top Pivot	1	—	—	—	—	EF07
Bottom pivot	1	—	—	—	—	EF08
Hanger mid	1	62BA/148	62BA/250	556A/221	556A/221	EF03
Hinges*	—	9 x 65B/40	9 x 65B/40	9 x 65B/40	9 x 65B/40	1 x EF05
Guide mid	1	67BA/150	67BA/220	67BA/150	67BA/220	EF06
Channel	—	94T-94 or 94X	94T-94 or 94X	94T-94 or 94X	94T-94 or 94X	94T-94 or 94X
Flush pull	1	400	—	400	—	—
Flush bolt	1	333/454 or F3715 + F3734	F3715 + F3734	454 or F3715 + F3734	F3715 + F3734	EF04 (double hinge)
Lock	1	—	—	—	—	618

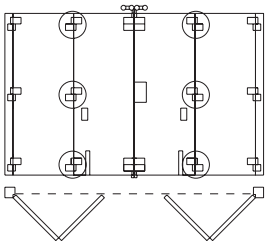
Note: 20mm hinges and 20-40mm offset hinges also available.



3 leaves, 2 hinged to post folding to the left, 1 separate swinger hinged to post

Track	—	600	600	550	550	600
Bracket	see notes	1B	1B	1A/550 or 3S/550	1A/550 or 3S/550	1B
Top Pivot	2	—	—	—	—	EF07
Bottom pivot	2	—	—	—	—	EF08
Hanger end	1	63BA/104	63BA/205	556A/221	556A/221	EF01/2 or EF01/4
Hinges*	—	9 x 65B/40 and 2 x 65B/40/1	9 x 65B/40 and 2 x 65B/40/1	9 x 65B/40 and 2 x 65B/40/1	9 x 65B/40 and 2 x 65B/40/1	1 x EF05
Guide end	1	68BA/110	68BA/180	68BA/110	68BA/180	EF02
Channel	—	94T-94 or 94X	94T-94 or 94X	94T-94 or 94X	94T-94 or 94X	94T-94 or 94X
Flush pull	1	400	—	400	—	—
Flush bolt	1	333/454 or F3715 + F3734	F3715 + F3734	454 or F3715 + F3734	F3715 + F3734	EF04 (double hinge)
Lock	1	—	—	—	—	618 + 619

Note: 20mm hinges and 20-40mm offset hinges also available.

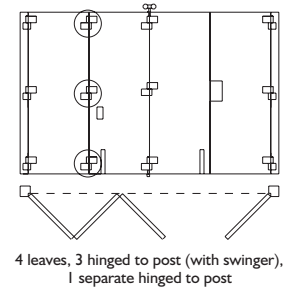


4 leaves, 2 hinged to post on the left, 2 hinged to post on the right

Track	—	600	600	—	—	600
Bracket	see notes	1B	1B	—	—	1B
Top Pivot	2	—	—	—	—	EF07
Bottom pivot	2	—	—	—	—	EF08
Hanger end	2	63BOA/114	63BOA/114	—	—	EF01/2
Hinges*	—	12 x 65B/40 and 4 x 65B/40/1	12 x 65B/40 and 4 x 65B/40/1	—	—	2 x EF05
Guide end	2	68BA/110	68BA/180	—	—	EF02
Channel	—	94T-94 or 94X	94T-94 or 94X	—	—	94T-94 or 94X
Flush pull	2	400	—	—	—	—
Flush bolt	2	333/454 or F3715 + F3734	F3715 + F3734	—	—	EF04 (double hinge)
Lock	1	—	—	—	—	618 + 619

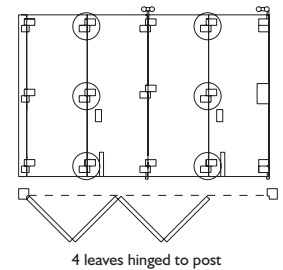
Note: 20mm hinges and 20-40mm offset hinges also available.

Item	Quantity	PACER Timber 65kg	PACER Aluminium 65kg	FLEXIROL Timber 125kg	FLEXIROL Aluminium 125kg	PACER Glass 45kg
Track	—	600	600	550	550	600
Bracket	see notes	1B	1B	1A/550 or 3S/550	1A/550 or 3S/550	1B
Top Pivot	2	—	—	—	—	EF07
Bottom pivot	2	—	—	—	—	EF08
Hanger mid	1	62BA/148	62BA/250	556A/221	556A/221	EF03
Hinges*	—	12 x 65B/40	12 x 65B/40	12 x 65B/40	12 x 65B/40	1 x EF05
Guide mid	1	67BA/150	67BA/220	67BA/150	67BA/220	EF06
Channel	—	94T-94 or 94X	94T-94 or 94X	94T-94 or 94X	94T-94 or 94X	94T-94 or 94X
Flush pull	1	400	—	400	—	—
Flush bolt	2	333/454 or F3715 + F3734	F3715 + F3734	454 or F3715 + F3734	F3715 + F3734	1 x EF04 (double hinge) and 1 x EF09 (lock only)
Lock	1	—	—	—	—	618 + 619



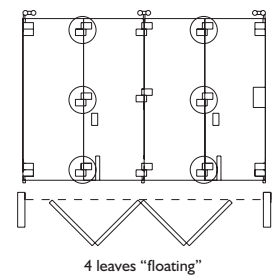
Note: 20mm hinges and 20-40mm offset hinges also available.

Track	—	600	600	550	550	600
Bracket	see notes	1B	1B	1A/550 or 3S/550	1A/550 or 3S/550	1B
Top Pivot	1	—	—	—	—	EF07
Bottom pivot	1	—	—	—	—	EF08
Hanger mid	1	62BA/148	62BA/250	556A/221	556A/221	EF03
Hanger end	1	63BOA/114	63BOA/114	556A/221	556A/221	EF01/2 or EF01/4
Hinges*	—	12 x 65B/40 2 x 65B/40/1	12 x 65B/40 2 x 65B/40/1	12 x 65B/40 2 x 65B/40/1	12 x 65B/40 2 x 65B/40/1	2 x EF05
Guide mid	1	67BA/150	67BA/220	67BA/150	67BA/220	EF06
Guide end	1	68BA/110	68BA/180	68BA/110	68BA/180	EF02
Channel	—	94T-94 or 94X	94T-94 or 94X	94T-94 or 94X	94T-94 or 94X	94T-94 or 94X
Flush pull	2	400	—	400	—	—
Flush bolt	2	333/454 or F3715 + F3734	F3715 + F3734	454 or F3715 + F3734	F3715 + F3734	EF04 (double hinge)
Lock	1	—	—	—	—	618



Note: 20mm hinges and 20-40mm offset hinges also available.

Track	—	600	600	550	550	600
Bracket	see notes	1B	1B	1A/550 or 3S/550	1A/550 or 3S/550	1B
Hanger mid	1	62BA/148	62BA/250	556A/221	556A/221	EF03
Hanger end	2	63BOA/114	63BOA/114	556A/221	556A/221	EF01/2
Hinges*	—	9 x 65B/40 and 4 x 65B/40/1	9 x 65B/40 and 4 x 65B/40/1	9 x 65B/40 and 4 x 65B/40/1	9 x 65B/40 and 4 x 65B/40/1	2 x EF05
Guide mid	1	67BA/150	67BA/220	67BA/150	67BA/220	EF06
Guide end	2	68BA/110	68BA/180	68BA/110	68BA/180	EF02
Channel	—	94T-94 or 94X	94T-94 or 94X	94T-94 or 94X	94T-94 or 94X	94T-94 or 94X
Flush pull	2	400	—	400	—	—
Flush bolt	2	333/454 or F3715 + F3734	F3715 + F3734	454 or F3715 + F3734	F3715 + F3734	EF04 (double hinge)
Lock	1	—	—	—	—	618

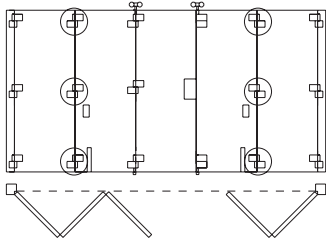


Note: 20mm hinges and 20-40mm offset hinges also available.

\* For doors exceeding 3000 mm high increase to 1 extra per seam.



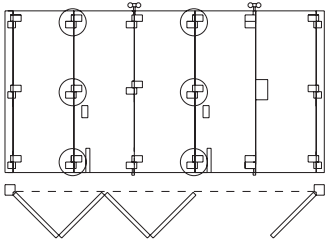
For applications in corrosive environments  
please consult Hendersons technical department.



5 leaves, 3 hinged to post folding to the left,  
2 hinged to post folding to the right

Item	Quantity	PACER Timber 65kg	PACER Aluminium 65kg	FLEXIROL Timber 125kg	FLEXIROL Aluminium 125kg	PACER† Glass 45kg
Track	—	600	600	550	550	600
Bracket	see notes	1B	1B	1A/550 or 3S/550	1A/550 or 3S/550	1B
Pivot top	2	—	—	—	—	EF07
Pivot bottom	2	—	—	—	—	EF08
Hanger mid	1	62BA/148	62BA/250	556A/221	556A/221	EF03
Hanger end	1	63BA/104	63BA/205	556A/221	556A/221	EF01/2 or EF01/4
Hinges*	—	15 x 65B/40 and 2 x 65B/40/1	15 x 65B/40 and 2 x 65B/40/1	15 x 65B/40 and 2 x 65B/40/1	15 x 65B/40 and 2 x 65B/40/1	2 x EF05
Guide mid	1	67BA/150	67BA/220	67BA/150	67BA/220	EF06
Guide end	1	68BA/110	68BA/180	68BA/110	68BA/180	EF02
Channel	—	94T-94 or 94X	94T-94 or 94X	94T-94 or 94X	94T-94 or 94X	94T-94 or 94X
Flush pull	2	400	—	400	—	—
Flush bolt	2	333/454 or F3715 + F3734	F3715 + F3734	454 or F3715 + F3734	F3715 + F3734	2 x EF04 (double hinge) and 1 x EF09 (lock only)
Lock	1	—	—	—	—	618 + 619

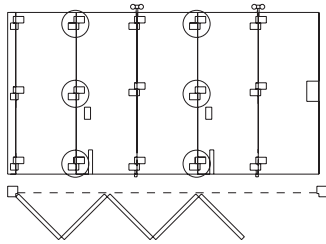
Note: 20mm hinges and 20-40mm offset hinges also available.



5 leaves, 4 hinged to post, folding to the left,  
1 separate hinged to post

Item	Quantity	PACER Timber 65kg	PACER Aluminium 65kg	FLEXIROL Timber 125kg	FLEXIROL Aluminium 125kg	PACER† Glass 45kg
Track	—	600	600	550	550	600
Bracket	see notes	1B	1B	1A/550 or 3S/550	1A/550 or 3S/550	1B
Pivot top	2	—	—	—	—	EF07
Pivot bottom	2	—	—	—	—	EF08
Hanger mid	1	62BA/148	62BA/250	556A/221	556A/221	EF03
Hanger end	1	63BA/104	63BA/205	556A/221	556A/221	EF01/2 or EF01/4
Hinges*	—	15 x 65B/40 and 2 x 65B/40/1	15 x 65B/40 and 2 x 65B/40/1	15 x 65B/40 and 2 x 65B/40/1	15 x 65B/40 and 2 x 65B/40/1	2 x EF05
Guide mid	1	67BA/150	67BA/220	67BA/150	67BA/220	EF06
Guide end	1	68BA/110	68BA/180	68BA/110	68BA/180	EF02
Channel	—	94T-94 or 94X	94T-94 or 94X	94T-94 or 94X	94T-94 or 94X	94T-94 or 94X
Flush pull	2	400	—	400	—	—
Flush bolt	2	333/454 or F3715 + F3734	F3715 + F3734	454 or F3715 + F3734	F3715 + F3734	2 x EF04 (double hinge) and 1 x EF09 (lock only)
Lock	1	—	—	—	—	618 + 619

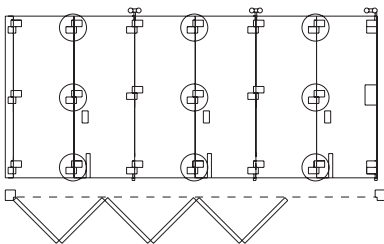
Note: 20mm hinges and 20-40mm offset hinges also available.



5 leaves hinged to post with swinger

Item	Quantity	PACER Timber 65kg	PACER Aluminium 65kg	FLEXIROL Timber 125kg	FLEXIROL Aluminium 125kg	PACER† Glass 45kg
Track	—	600	600	550	550	600
Bracket	see notes	1B	1B	1A/550 or 3S/550	1A/550 or 3S/550	1B
Pivot top	1	—	—	—	—	EF07
Pivot bottom	1	—	—	—	—	EF08
Hanger mid	2	62BA/148	62BA/250	556A/221	556A/221	EF03
Hinges*	—	15 x 65B/40	15 x 65B/40	15 x 65B/40	15 x 65B/40	2 x EF05
Guide mid	2	67BA/150	67BA/220	67BA/150	67BA/220	EF06
Channel	—	94T-94 or 94X	94T-94 or 94X	94T-94 or 94X	94T-94 or 94X	94T-94 or 94X
Flush pull	2	400	—	400	—	—
Flush bolt	2	333/454 or F3715 + F3734	F3715 + F3734	454 or F3715 + F3734	F3715 + F3734	2 x EF04 (double hinge) and 1 x EF09 (lock only)
Lock	1	—	—	—	—	618

Note: 20mm hinges and 20-40mm offset hinges also available.



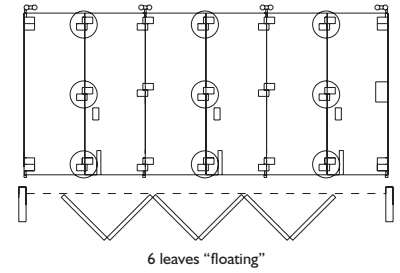
6 leaves hinged to post

Item	Quantity	PACER Timber 65kg	PACER Aluminium 65kg	FLEXIROL Timber 125kg	FLEXIROL Aluminium 125kg	PACER† Glass 45kg
Track	—	600	600	550	550	600
Bracket	see notes	1B	1B	1A/550 or 3S/550	1A/550 or 3S/550	1B
Pivot top	2	—	—	—	—	EF07
Pivot bottom	2	—	—	—	—	EF08
Hanger mid	2	62BA/148	62BA/250	556A/221	556A/221	EF03
Hanger end	1	63BA/104	63BA/205	556A/221	556A/221	EF01/2 or EF01/4
Hinges*	—	18 x 65B/40 and 2 x 65B/40/1	18 x 65B/40 and 2 x 65B/40/1	18 x 65B/40 and 2 x 65B/40/1	18 x 65B/40 and 2 x 65B/40/1	3 x EF05
Guide mid	2	67BA/150	67BA/220	67BA/150	67BA/220	EF06
Guide end	1	68BA/110	68BA/180	68BA/110	68BA/180	EF02
Channel	—	94T-94 or 94X	94T-94 or 94X	94T-94 or 94X	94T-94 or 94X	94T-94 or 94X
Flush pull	3	400	—	400	—	—
Flush bolt	3	333/454 or F3715 + F3734	F3715 + F3734	F3715 + F3734	454 or F3715 + F3734	EF04 (double hinge)
Lock	1	—	—	—	—	618

Note: 20mm hinges and 20-40mm offset hinges also available.

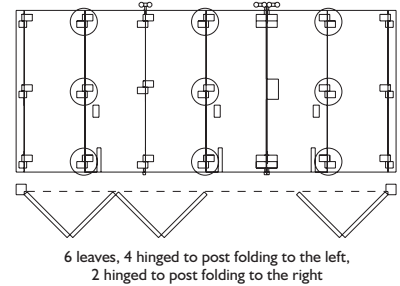
Item	Quantity	PACER Timber 65kg	PACER Aluminium 65kg	FLEXIROL Timber 125kg	FLEXIROL Aluminium 125kg	PACER Glass 45kg
Track	—	600	600	550	550	600
Bracket	see notes	1B	1B	1A/550 or 3S/550	1A/550 or 3S/550	1B
Hanger mid	2	62BA/148	62BA/250	556A/221	556A/221	EF03
Hanger end	2	63BOA/114	63BOA/114	556A/221	556A/221	EF01/2 or EF01/4
Hinges*	—	15 x 65B/40 and 4 x 65B/40/1	15 x 65B/40 and 4 x 65B/40/1	15 x 65B/40 and 4 x 65B/40/1	15 x 65B/40 and 4 x 65B/40/1	3 x EF05
Guide mid	2	67BA/150	67BA/220	67BA/150	67BA/220	EF06
Guide end	2	68BA/110	68BA/180	68BA/110	68BA/180	EF02
Channel	—	94T-94 or 94X	94T-94 or 94X	94T-94 or 94X	94T-94 or 94X	94T-94 or 94X
Flush pull	3	400	—	400	—	—
Flush bolt	3	333/454 or F3715 + F3734	F3715 + F3734	454 or F3715 + F3734	F3715 + F3734	EF04 (double hinge)
Lock	1	—	—	—	—	618

Note: 20mm hinges and 20-40mm offset hinges also available.



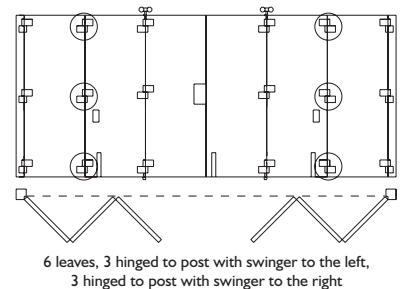
Track	—	600	600	—	—	600
Bracket	see notes	1B	1B	—	—	1B
Pivot top	2	—	—	—	—	EF07
Pivot bottom	2	—	—	—	—	EF08
Hanger mid	1	62BA/148	62BA/250	—	—	EF03
Hanger end	2	63BOA/114	63BOA/114	—	—	EF01/2
Hinges	—	18 x 65B/40 and 4 x 65B/40/1	18 x 65B/40 and 4 x 65B/40/1	—	—	3 x EF05
Guide mid	1	67BA/150	67BA/220	—	—	EF06
Guide end	2	68BA/110	68BA/180	—	—	EF02
Channel	—	94T-94 or 94X	94T-94 or 94X	—	—	94T-94 or 94X
Flush pull	3	400	—	—	—	—
Flush bolt	3	333/454 or F3715 + F3734	F3715 + F3734	—	—	EF04 (double hinge)
Lock	1	—	—	—	—	618 + 619

Note: 20mm hinges and 20-40mm offset hinges also available.



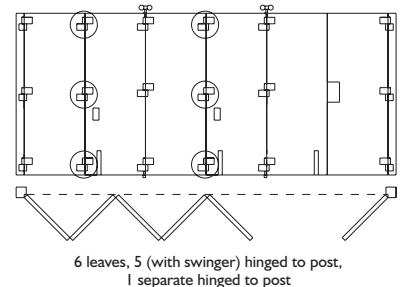
Track	—	600	600	550	550	600
Bracket	see notes	1B	1B	1A/550 or 3S/550	1A/550 or 3S/550	1B
Pivot top	2	—	—	—	—	EF07
Pivot bottom	2	—	—	—	—	EF08
Hanger mid	2	62BA/148	62BA/250	556A/221	556A/221	EF03
Hinges*	—	18 x 65B/40	18 x 65B/40	18 x 65B/40	18 x 65B/40	2 x EF05
Guide mid	2	67BA/150	67BA/220	67BA/150	67BA/220	EF06
Channel	—	94T-94 or 94X	94T-94 or 94X	94T-94 or 94X	94T-94 or 94X	94T-94 or 94X
Flush pull	2	400	—	400	—	—
Flush bolt	3	333/454 or F3715 + F3734	F3715 + F3734	454 or F3715 + F3734	F3715 + F3734	2 x EF04 (double hinge) 2 x EF09 (lock only)
Lock	1	—	—	—	—	618 + 619

Note: 20mm hinges and 20-40mm offset hinges also available.



Track	—	600	600	550	550	600
Bracket	see notes	1B	1B	1A/550 or 3S/550	1A/550 or 3S/550	1B
Pivot top	2	—	—	—	—	EF07
Pivot bottom	2	—	—	—	—	EF08
Hanger mid	2	62BA/148	62BA/250	556A/221	556A/221	EF03
Hinges*	—	18 x 65B/40	18 x 65B/40	18 x 65B/40	18 x 65B/40	2 x EF05
Guide mid	2	67BA/150	67BA/220	67BA/150	67BA/220	EF06
Channel	—	94T-94 or 94X	94T-94 or 94X	94T-94 or 94X	94T-94 or 94X	94T-94 or 94X
Flush pull	2	400	—	400	—	—
Flush bolt	3	333/454 or F3715 + F3734	F3715 + F3734	454 or F3715 + F3734	F3715 + F3734	2 x EF04 (double hinge) 2 x EF09 (lock only)
Lock	1	—	—	—	—	618 + 619

Note: 20mm hinges and 20-40mm offset hinges also available.



\* For doors exceeding 3000 mm high increase to 1 extra per seam.



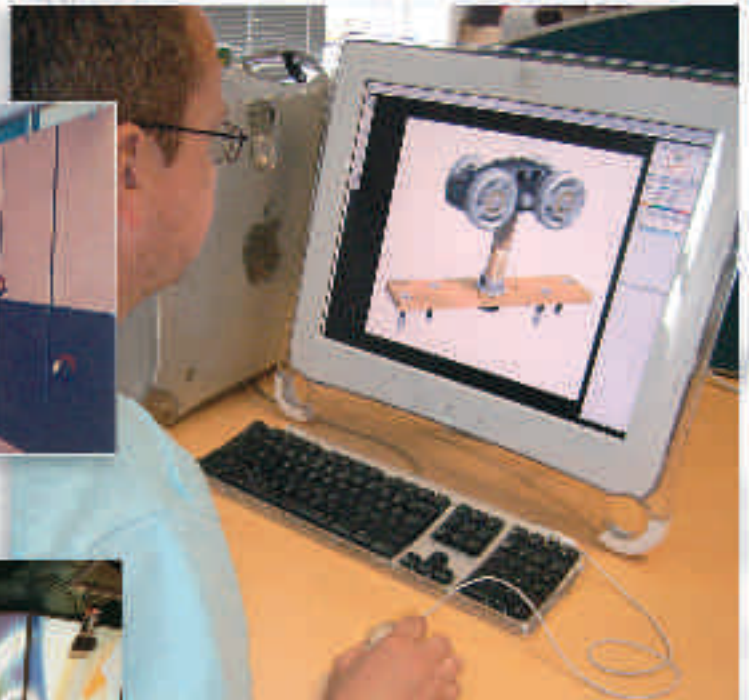
# Design Service

## Track Curving

In today's design battle for form and function, curves can play an integral part in the achievement of the perfect design. To meet the growing demand for sliding and folding door systems operating on curved track we offer a full track curving service.

What is provided is a tailored track and guide channel curving service to meet your particular design, any radius to a minimum of 400mm, with arc lengths cut to your requirements.

The service is available for both straight sliding, folding and multidirectional applications.



## Multidirectional System Design

In order to create the perfect solution to your application, we design our multidirectional sliding systems to meet your individual requirements. By offering this made-to-measure service we ensure that you get the best results from your system.

As part of our service we offer:

- Complete specification and design of the sliding system, including hardware, track layout and doors if required.
- Full CAD design service, allowing incorporation into architectural drawings.
- Advice on installation options available.

# Weatherfold

**FOR EXTERIOR FOLDING  
TIMBER DOORS**

## **CAPACITY**

<b>Max. Leaf Height</b>	<b>3300mm</b>
<b>Max. Leaf Weight</b>	<b>75kg</b>
<b>Max. Leaf Width</b>	<b>900mm</b>
<b>Leaf Thickness</b>	<b>35-57mm</b>

**NEW PRODUCT RELEASE**