



PACER AND FLEXIROL MULTIDIRECTIONAL DOOR SYSTEMS

The Henderson series of multidirectional door systems offers the designer unparalleled flexibility without compromising the practicality of the application. The two multidirectional systems, Pacer and Flexirol, offering two degrees of movement, provide this flexibility.

The Pacer multidirectional system offers 135° movement for timber, metal and glass doors to a maximum weight of 120kg per door. The Flexirol system offers a choice of two hangers providing either 90° or 135° maximum movement, to a maximum weight of 500kg depending on the choice of hanger.

Both systems offer the options of curved track and track coloured to any BS colour, as well as a variety of plated finishes.

As part of the Flexirol system, Henderson also offers the option of acoustic panels, to be used in conjunction with both the 90° and 135° hangers.

The multidirectional range of systems is ideal for shop-fronts, internal partitions, movable walls, conference rooms and any situation requiring the flexibility of a stacking system.



CAPACITY

Max. door weight: 120kg
 Max. door height: 3000mm
 Max. door width: 1200mm
 Door thickness: 35mm-50mm

APPLICATIONS

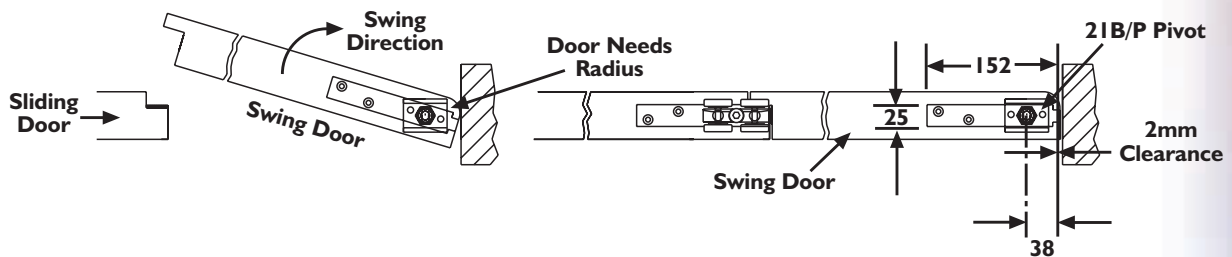
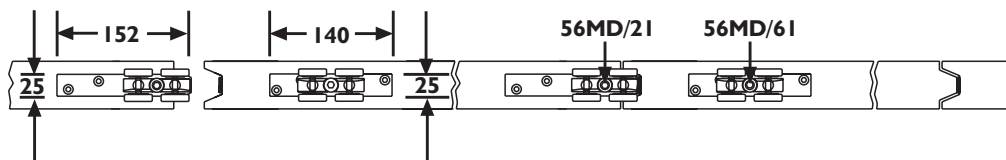
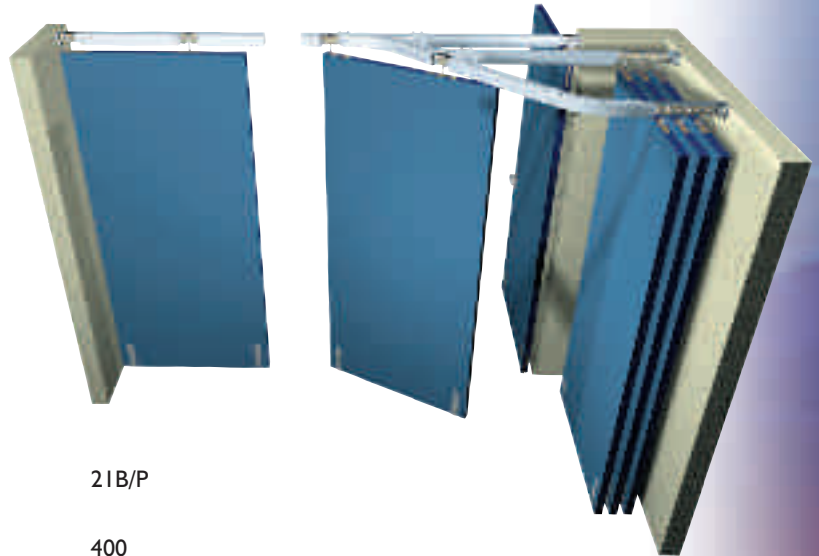
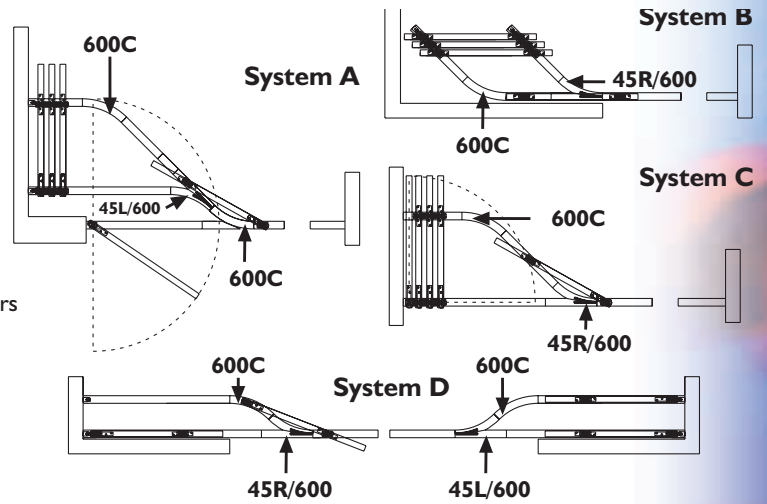
Top hung Pacer gear for residential and commercial doors requiring 135° movement.

DOOR TYPES

Moderate weight timber and aluminium doors.

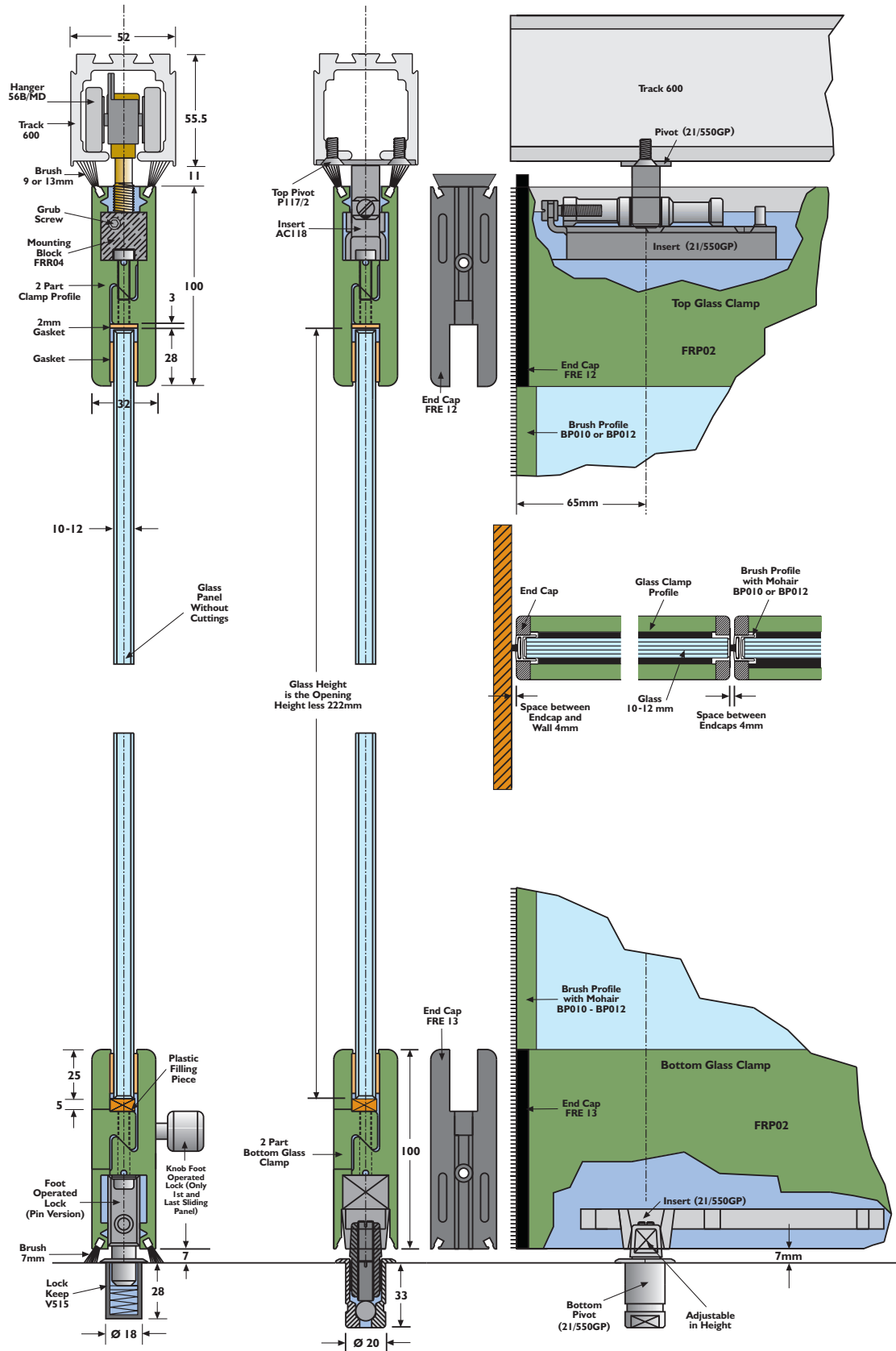
TECHNICAL INFORMATION

Track:	600 (extruded aluminium)	
	Available in 2000mm, 2500mm, 3000mm, 3500mm, 4000mm and 6000mm lengths	
Intersects:	Right-hand intersect	45R/600
	Left-hand intersect	45L/600
Curves:	45° curve	600C
Brackets:	Face fix	IB
	Joining bracket	IBX
Hangers:	Concealed fixing	61B/MD
	Angle plate fixing	21B/MD
Pivots:	For door widths between 35-50mm	21B/P
Accessories:	Flush pull	400
	Flush bolts	333/454
	Narrow flush bolt and keep	F3715 & F3734
	Track stop	HH3/290
	Door closers	Floorspring closer 7410
		Transom closer 5600
		Swing/slide floor spring 7305



PACER

MULTIDIRECTIONAL FOR GLASS DOORS



CAPACITY

Max. door weight: 120kg
 Max. door height: 3000mm
 Max. door width: 1200mm
 Panel thickness: 10mm or 12mm

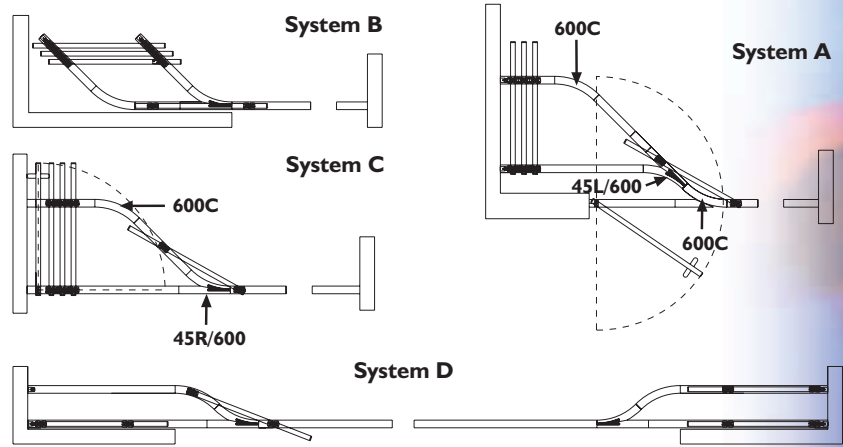
APPLICATIONS

The Pacer multidirectional system for glass is a system for both interior and exterior applications. Panels can be secured by either full length glass profile or patch fittings.

DOOR TYPES

BS6206 toughened glass panels of 10 or 12mm thickness.

Note: when using glass clamps in combination with protective coatings for glass surfaces such as Clear Shield, ensure that the glass surface to be clamped is not treated with the Clear Shield coating.



TECHNICAL INFORMATION

Track: 600 (extruded aluminium)
 Available in 2000mm, 2500mm,
 3000mm, 3500mm, 4000mm
 and 6000mm lengths

Intersects: Right-hand intersect 45R/600
 Left-hand intersect 45L/600

Curves: 45° curve 600C

Brackets: Face fix IB
 Jointing bracket IBX

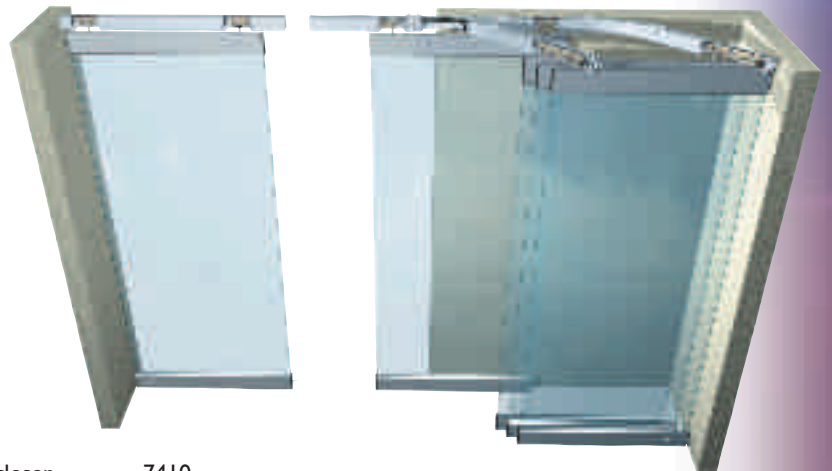
Hangers: 56B/MD

Glass Profiles: Top/bottom profile FRP02
 Swing/slide profile FRP01

Pivots: Glass pivot set 21/550GP

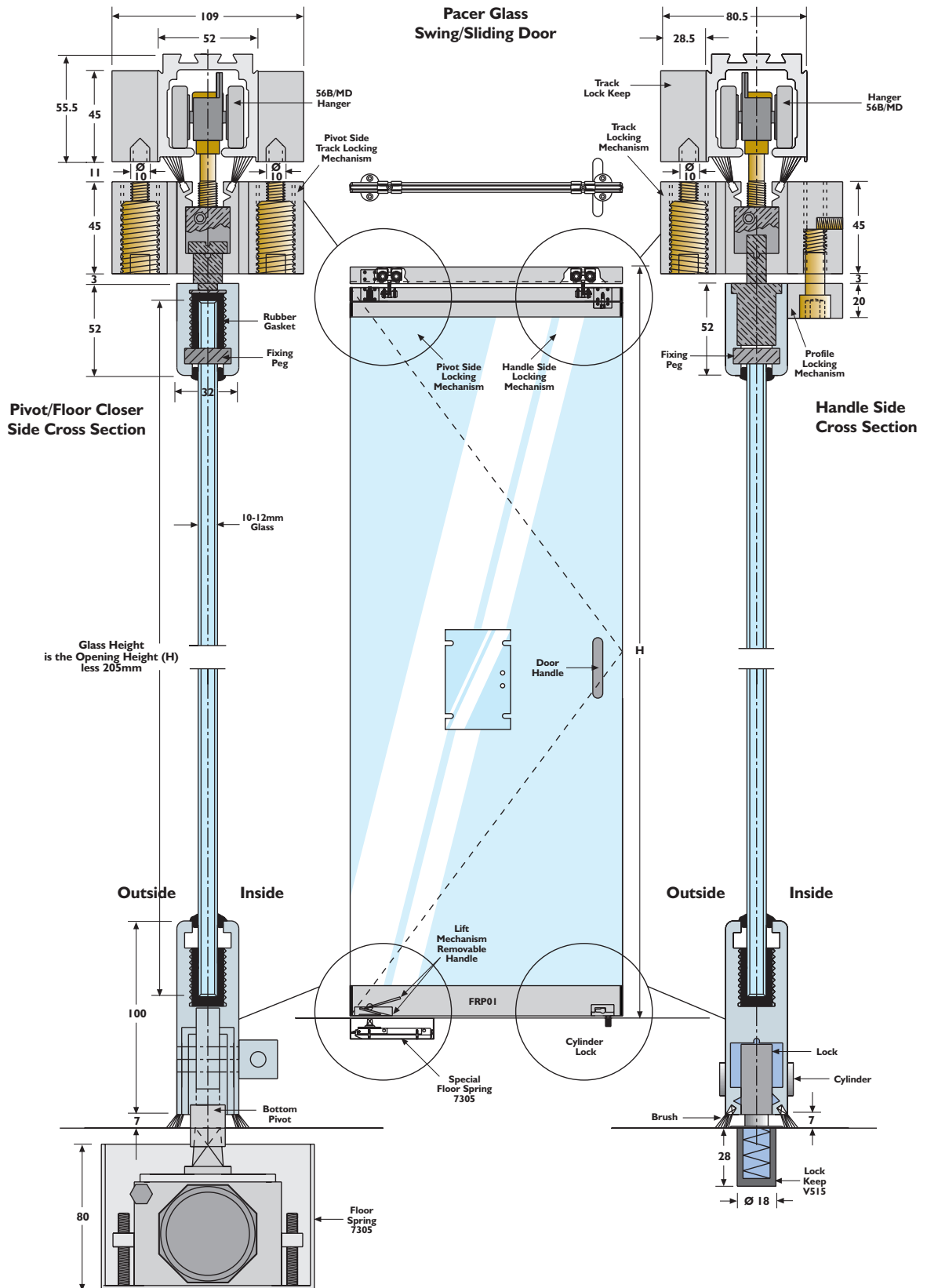
Accessories: Track stop HH3/290
 Door closers Floor spring closer 7410
 Swing/sliding floor spring 7305
 Handle sets H22/200 D - handle 22mm dia. 200mm long
 H22/300 D - handle 22mm dia. 300mm long
 H33/220 D - handle 33mm dia. 220mm long
 H33/300 D - handle 33mm dia. 300mm long

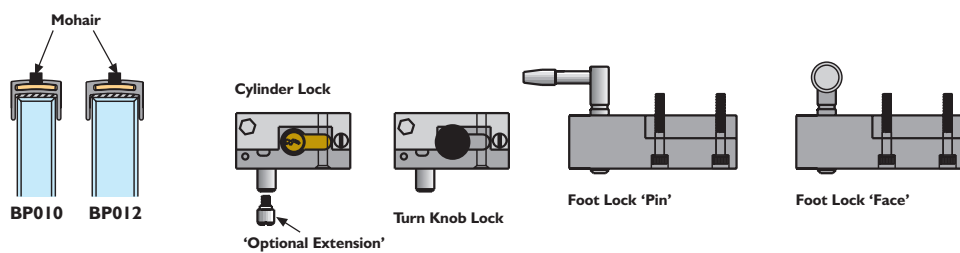
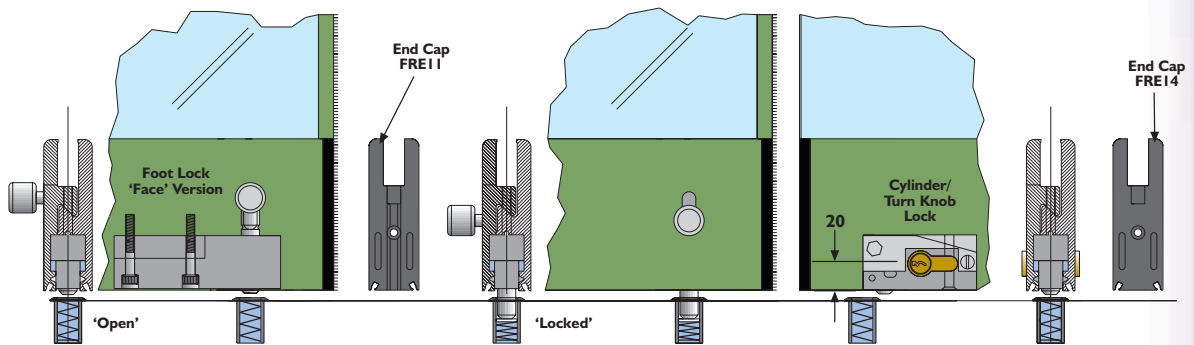
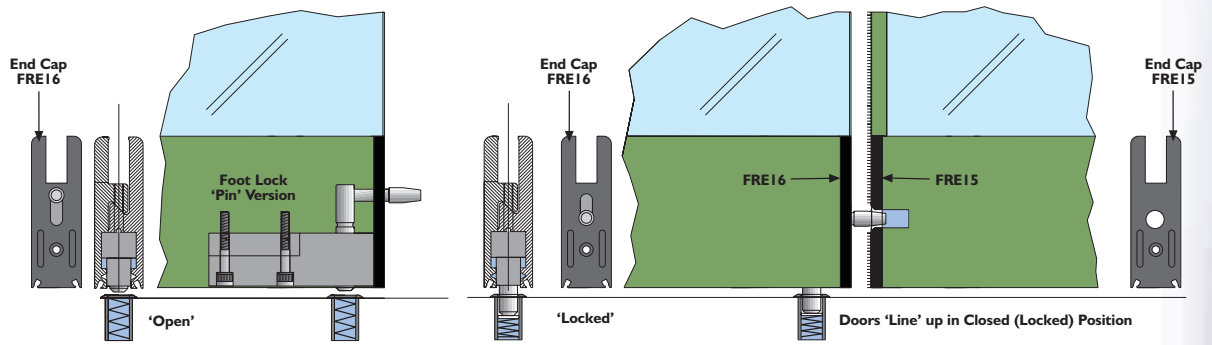
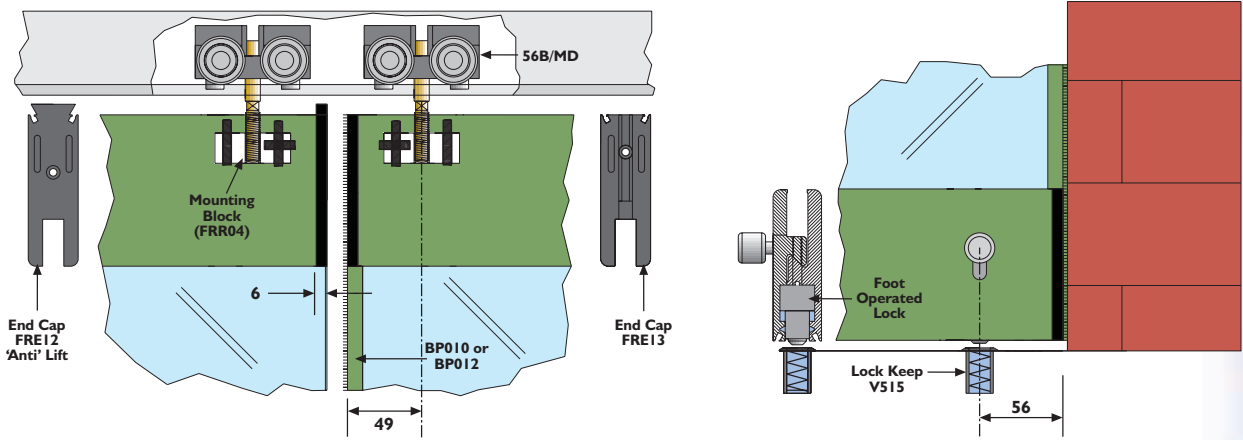
(Standard handle set finishes are silver anodised and white RAL9010. Other finishes are available on request.)



PACER

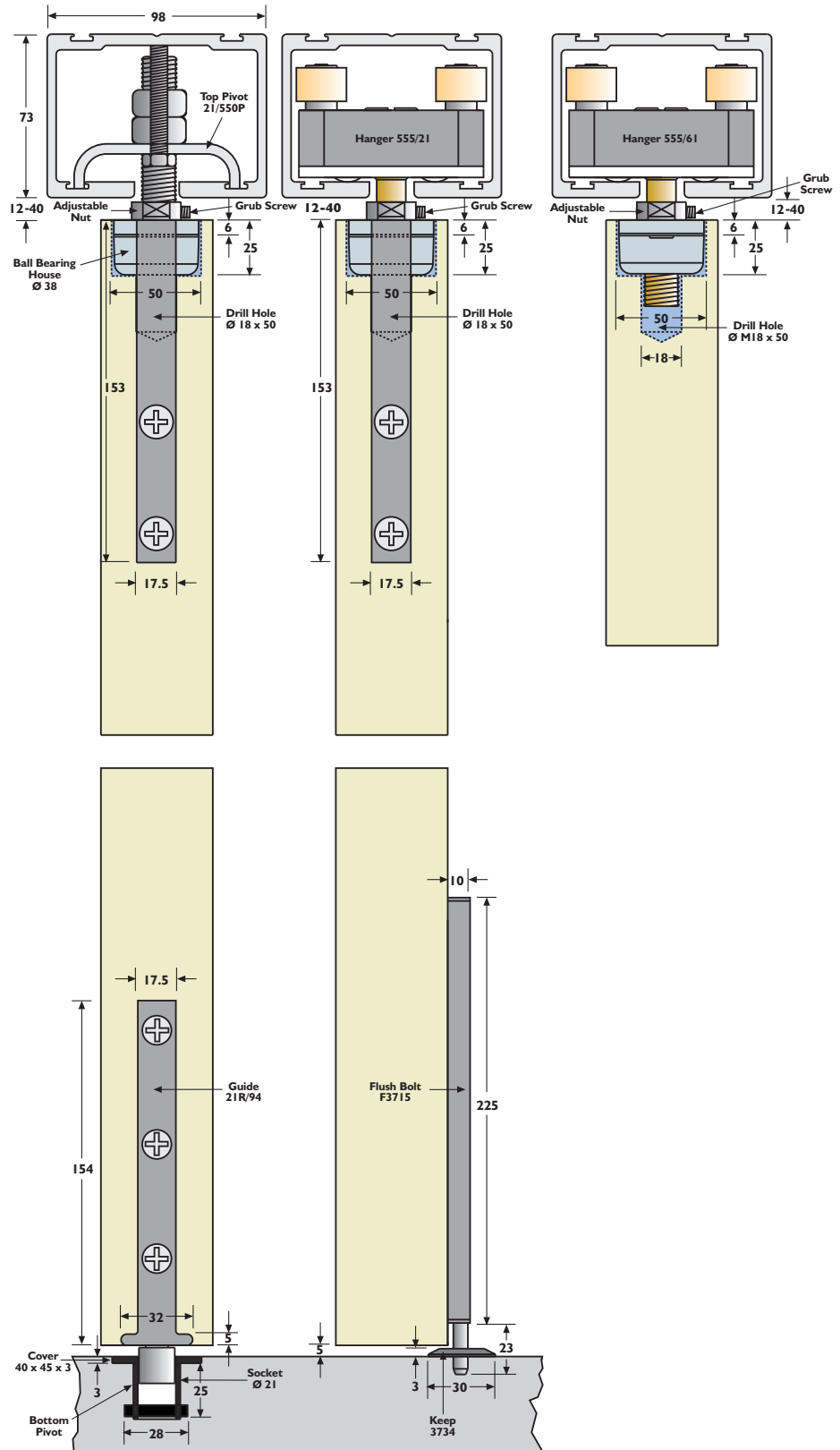
MULTIDIRECTIONAL FOR GLASS DOORS







FLEXIROL 90° MULTIDIRECTIONAL SYSTEM FOR TIMBER AND ALUMINIUM DOORS



CAPACITY

Max. leaf weight:	100kg (2 hangers per leaf) 50kg (1 hanger per leaf)
Max. door height:	6000mm
Max. door width:	6000mm
Door thickness:	50mm-100mm
Max. swing door width:	1200mm

APPLICATIONS

Lightweight partitions for internal and external applications requiring 90° movement.

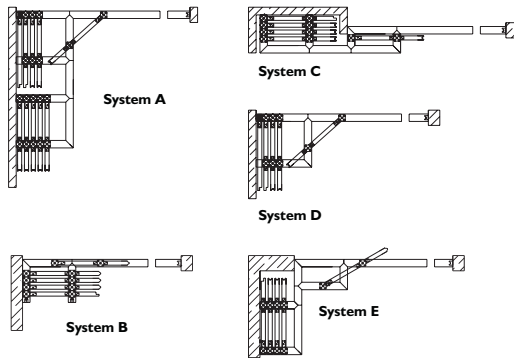
DOOR TYPES

Commercial timber and aluminium doors.

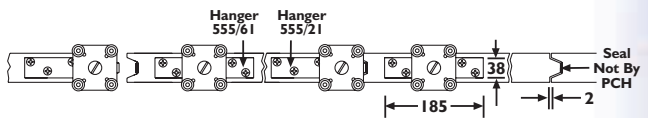
TECHNICAL INFORMATION

Track:	550 (extruded aluminium)	
Intersects:	'T' junction Cross-junction	TW/550 KW/550
Elbows:	90° elbow	H90/550
Brackets:	Face fix Soffit fix	1A/550 3S/550
Hangers:	Angle plate fixing Concealed fixing	555/21 555/61
Pivots:	Pivot set	21/550P
Accessories:	Track stop Flush pull Flush bolts Narrow flush bolt and keep Door closers	HH3/301 400 333/454 F3715 & F3734 Floor spring closer 7410 Transom closer 5600 (complete with 400mm of 550 track) Swing/slide floor spring 7305

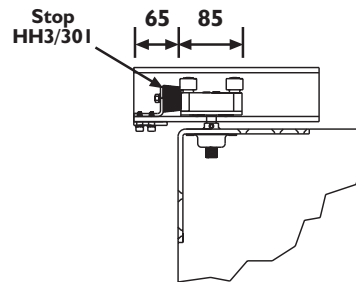
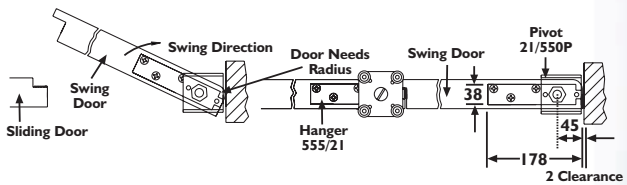
90° Configurations



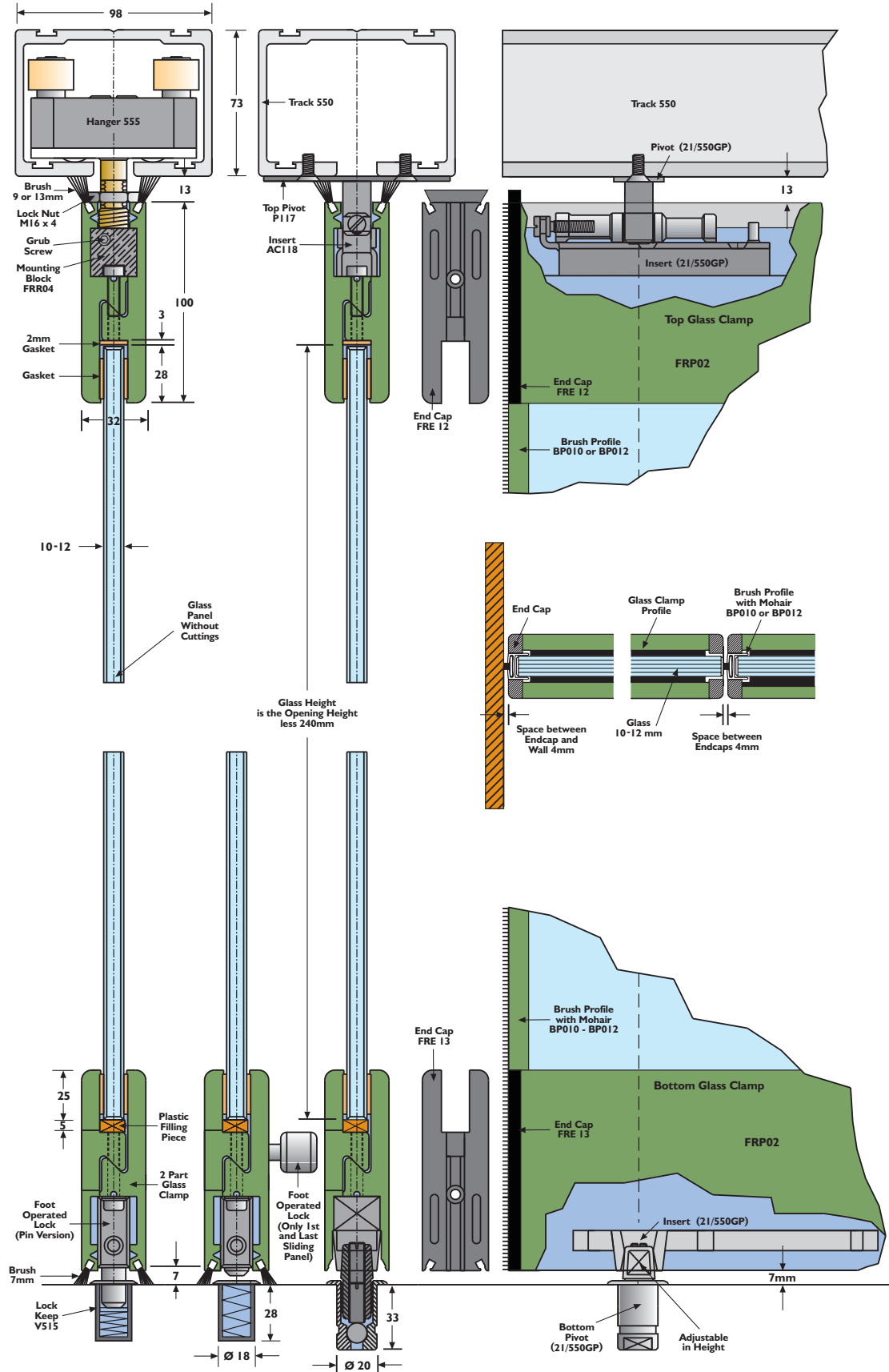
Door Rebates



Example Rebated Doors



FLEXIROL 90° MULTIDIRECTIONAL SYSTEM FOR GLASS DOORS



CAPACITY

Max. door weight:	100kg (2 hangers per leaf) 50kg (1 hanger per leaf)
Max. door height:	2800mm-10mm tempered glass 4000mm-12mm tempered glass
Max. door width:	1300mm-10mm tempered glass 1300mm-12mm tempered glass
Panel thickness:	10 or 12mm
Max. swing door width:	1200mm

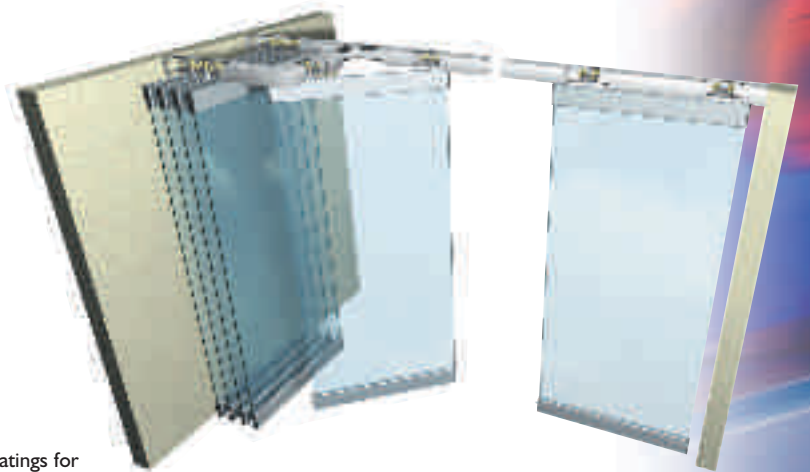
APPLICATIONS

Lightweight glass partitions for internal and external applications requiring 90° movement.

DOOR TYPES

BS6206 toughened glass panels of 10 or 12mm thickness.

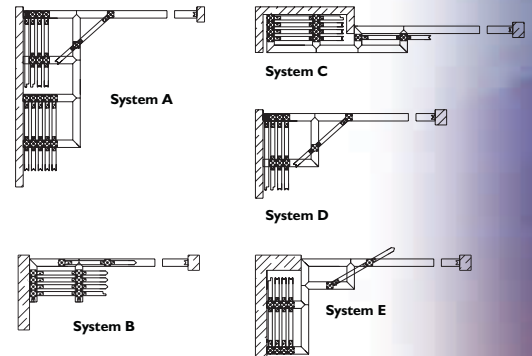
Note: when using glass clamps in combination with protective coatings for glass surfaces such as Clear Shield, ensure that the glass surface to be clamped is not treated with the Clear Shield coating.



TECHNICAL INFORMATION

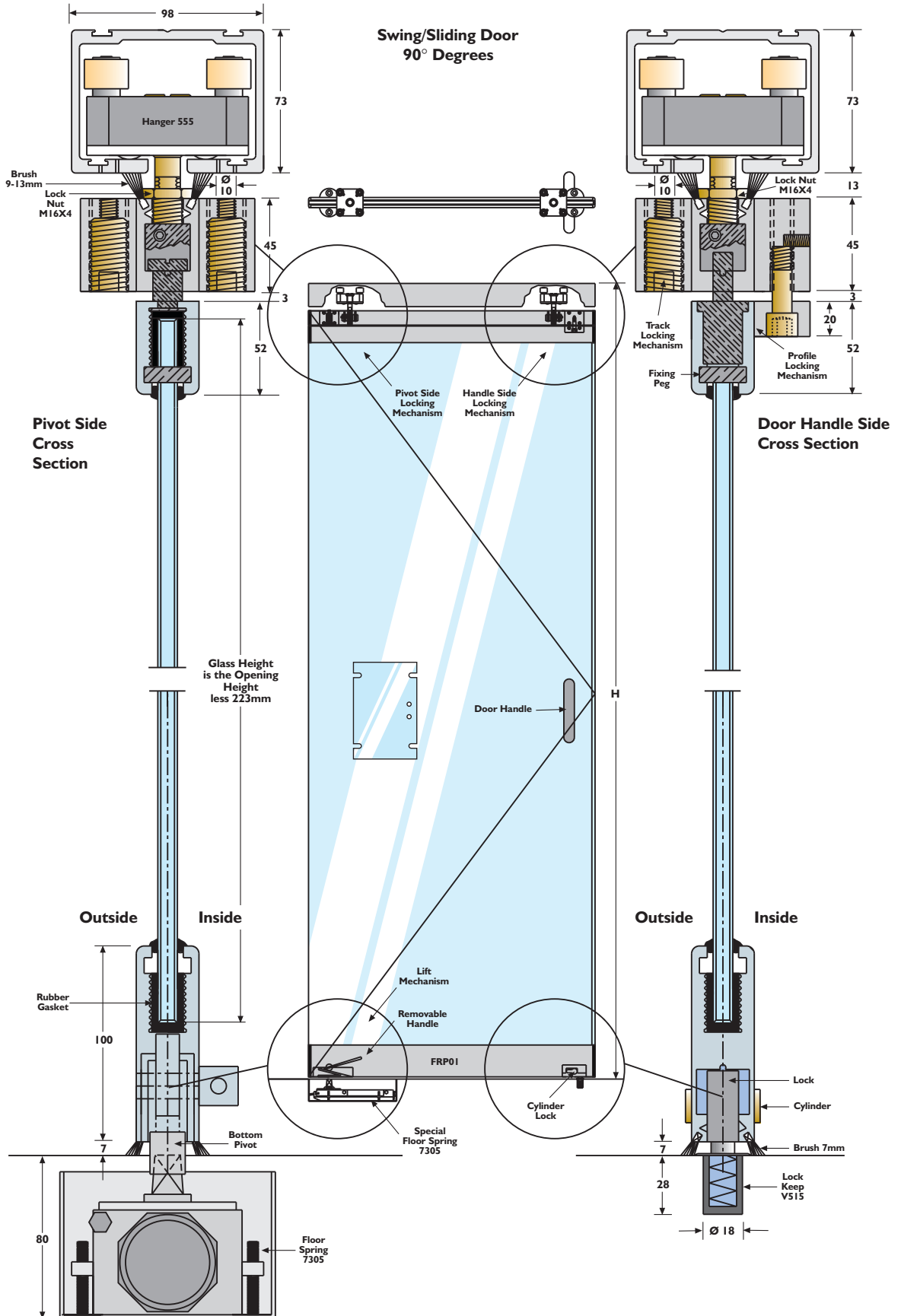
Track:	550 (extruded aluminium)		
Brackets:	Face fix	1A/550	
	Soffit fix	3S/550	
Hangers:	90° hanger	555	
Glass Profiles:	Top/bottom glass profile	FRP02	
	Swing/slide profile	FRP01	
Pivots:	Glass pivot set (top & bottom)	21/550GP	
Accessories:	Track stop	HH3/301	
	Door closers	Floor spring closer	7410
		Transom closer	5600
		(complete with 400mm of 550 track)	
	Swing/sliding floor spring	7305	
	Handle sets	H22/200 D - handle 22mm dia. 200mm long	
		H22/300 D - handle 22mm dia. 300mm long	
H33/220 D - handle 33mm dia. 220mm long			
H33/300 D - handle 33mm dia. 300mm long			
(Standard handle set finishes are silver anodised and white RAL9010. Other finishes are available on request.)			

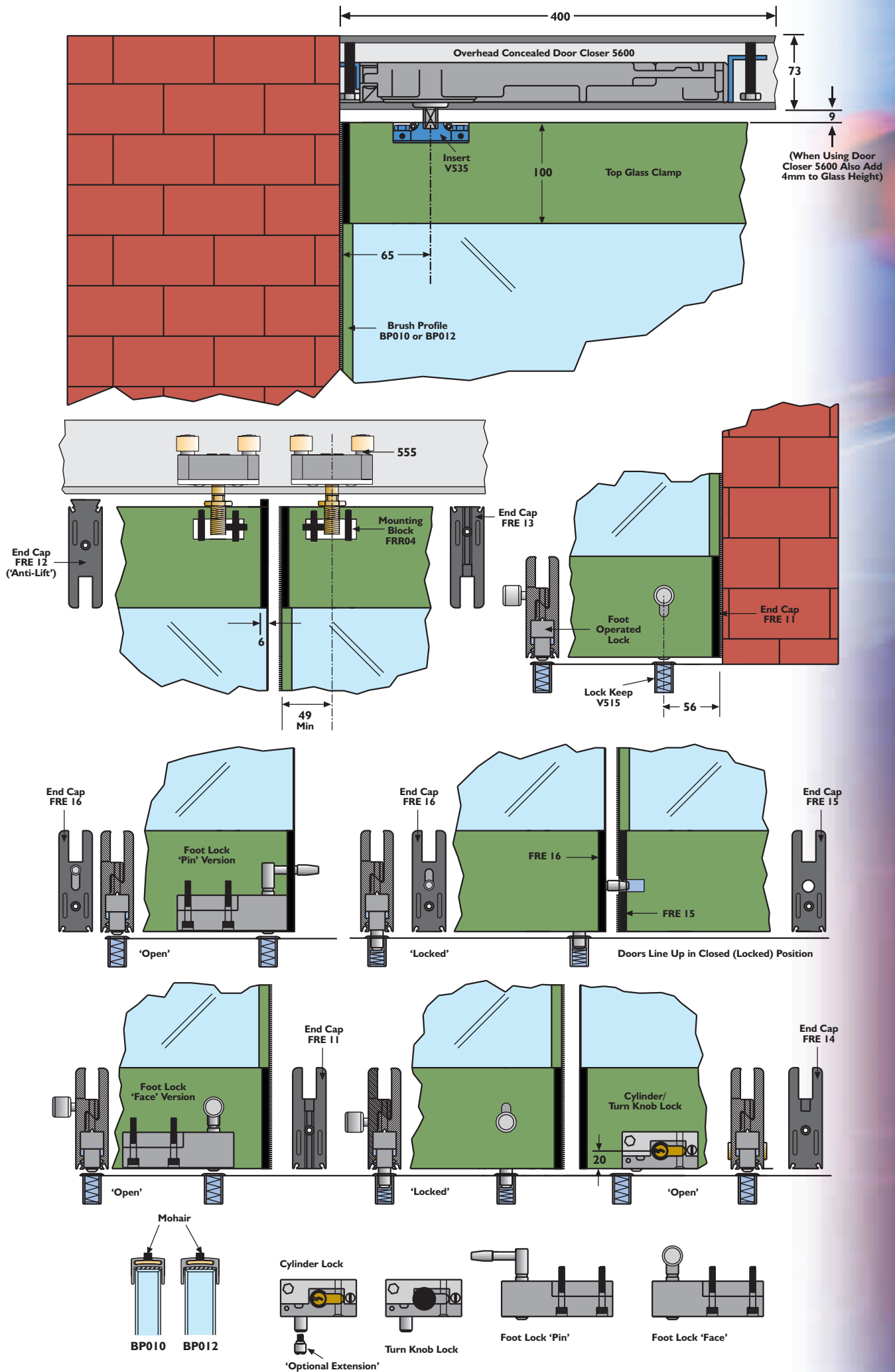
90° Configurations



FLEXIROL 90°

MULTIDIRECTIONAL SYSTEM FOR GLASS DOORS



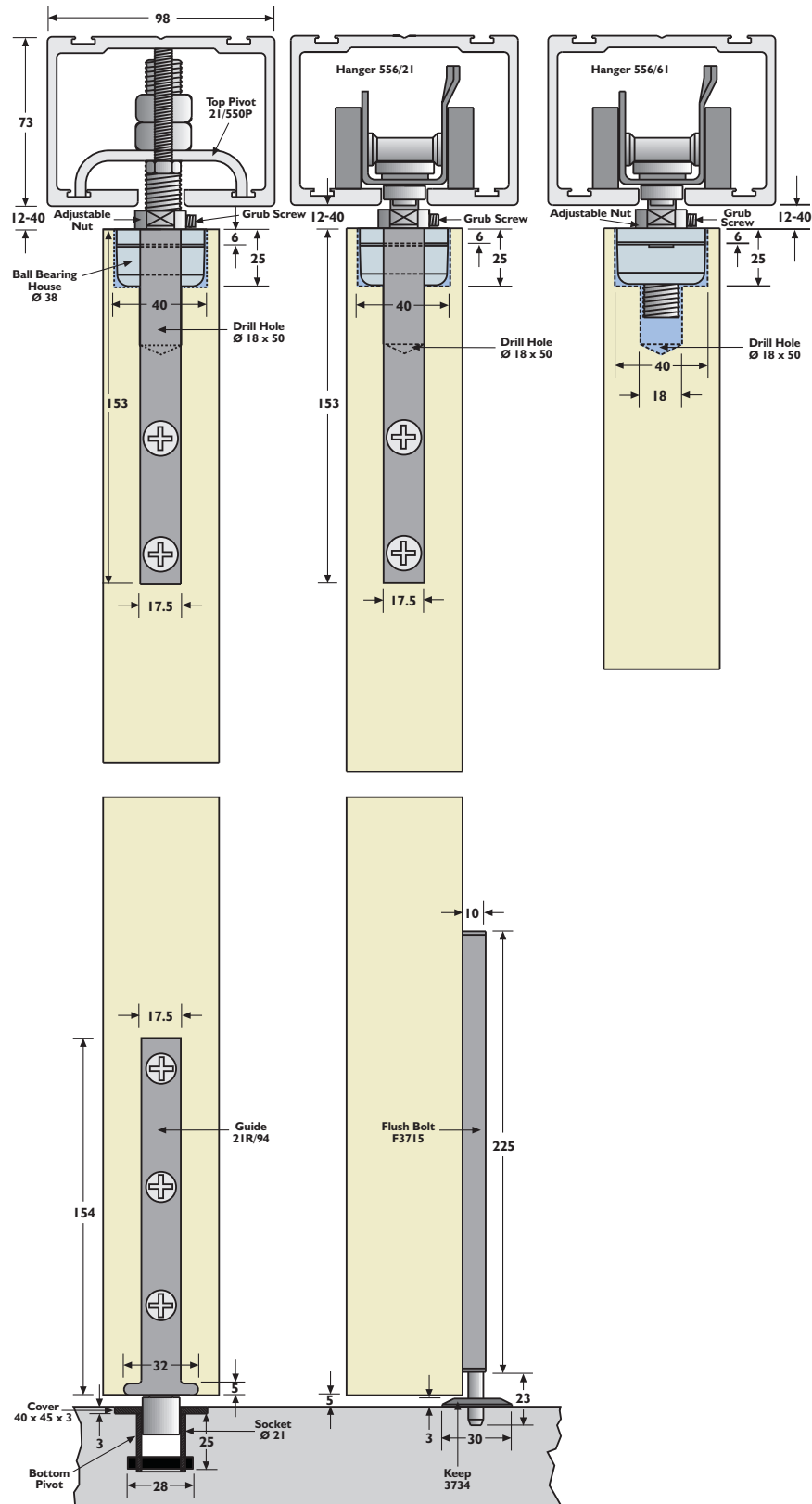


FLEXIROL 135°

MULTIDIRECTIONAL

SYSTEM FOR TIMBER

AND ALUMINIUM DOORS



CAPACITY

Max. door weight:	500kg (2 hangers per leaf)
	250kg (1 hanger per leaf)
Max. door height:	6000mm
Max. door width:	6000mm
Door thickness:	50mm-100mm
Max. swing door width:	1200mm

APPLICATIONS

Multidirectional Flexirol is ideally suited to hotels, conference centres, shop-fronts, showrooms, any site that requires high performance and the flexibility of 135° movement.

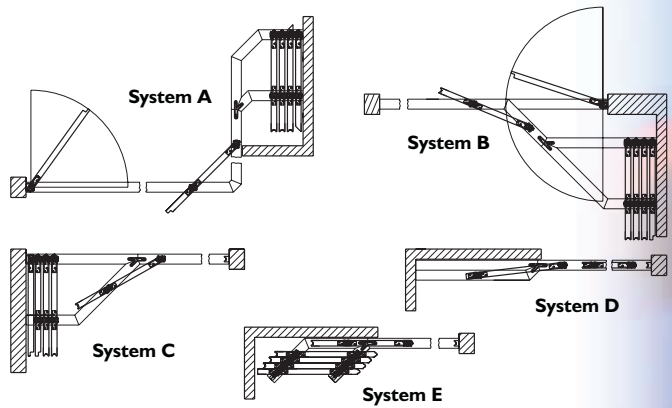
DOOR TYPES

Heavy commercial timber and aluminium doors.

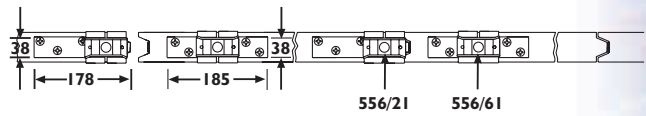
TECHNICAL INFORMATION

Track:	550 (extruded aluminium)	
Intersects:	135° right-hand	45R/550
	135° left-hand	45L/550
Elbows:	135° swept elbow	H135/550
	90° swept elbow	H90C/550
Brackets:	Face fix	1A/550
	Soffit fix	3S/550
Hangers:	Angle plate fixing	556/21
	Concealed fixing	556/61
Pivots:	Pivot set	21/550P
Accessories:	Track stop	HH3/301
	Flush pull	400
	Flush bolts	333/454
	Narrow flush bolt and keep	F3715 & F3734
	Door closers	Floor spring closer 7410
		Transom closer 5600

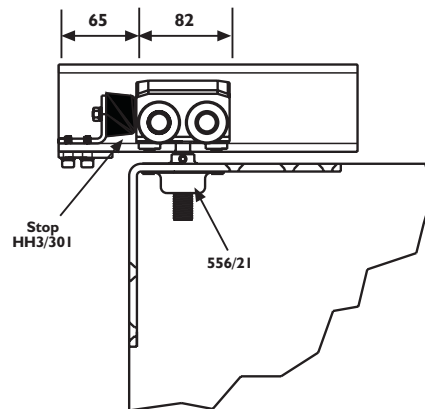
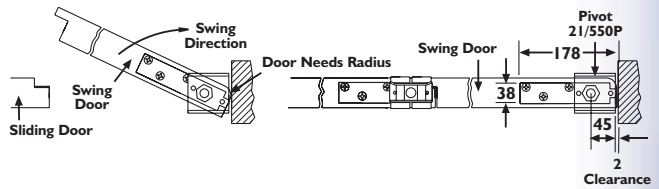
135° Configurations



Door Rebates

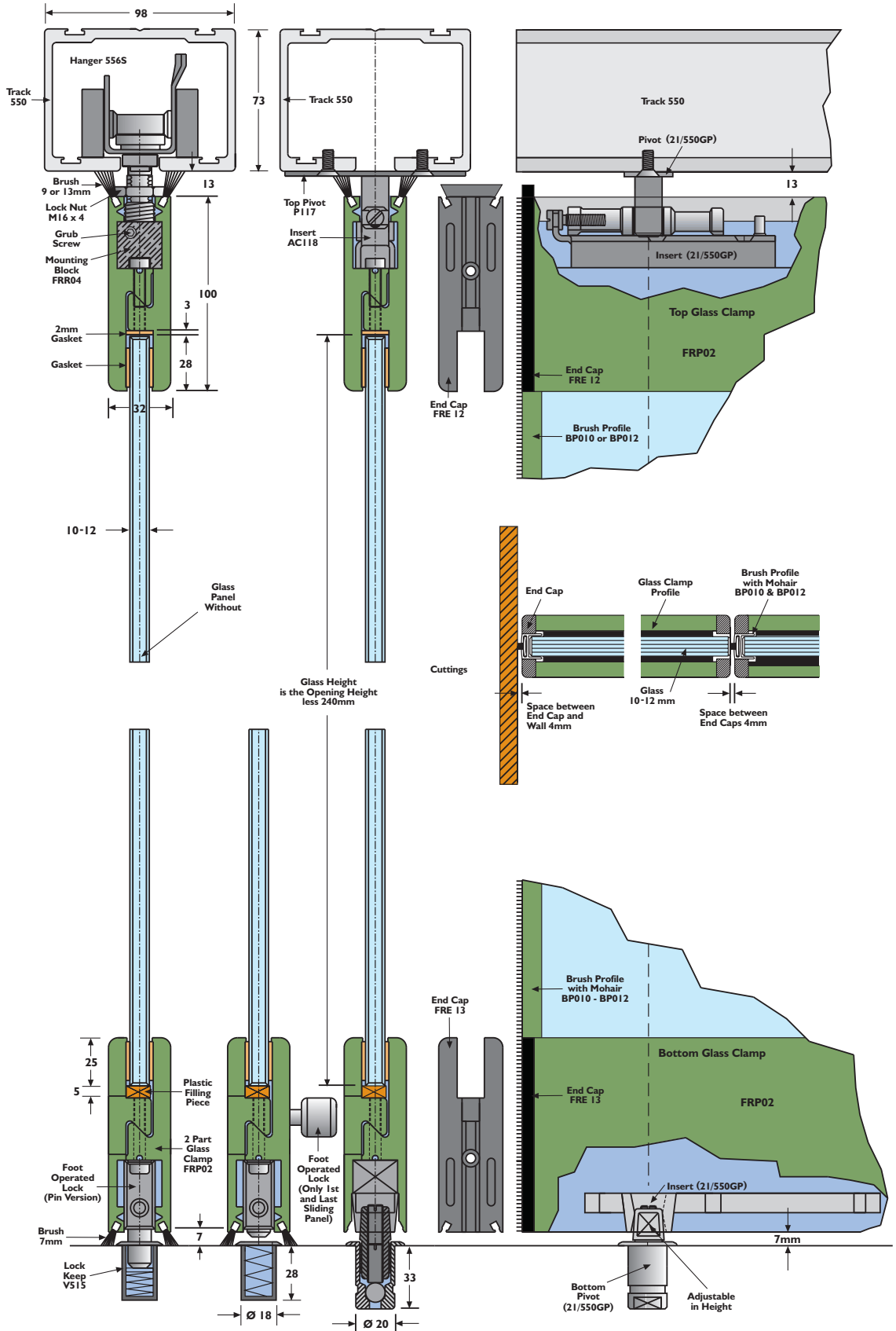


Example Rebated Doors





FLEXIROL 135° MULTIDIRECTIONAL SYSTEM FOR GLASS DOORS



CAPACITY

Max. door weight:	500kg (2 hangers per leaf) 250kg (1 hanger per leaf)
Max. door height:	2800mm-10mm toughened glass 4000mm-12mm toughened glass
Max. door width:	1300mm-10mm toughened glass 1300mm-12mm toughened glass
Door thickness:	10 or 12 mm - toughened glass
Max. swing door width:	1200mm

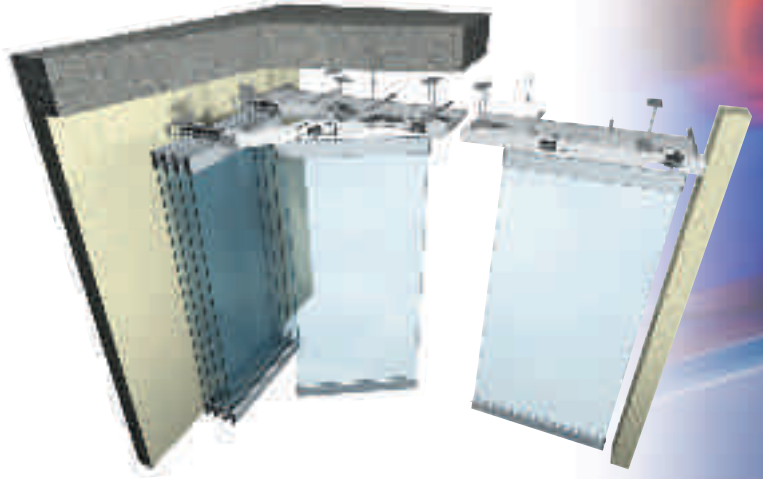
APPLICATIONS

Multidirectional Flexirol is ideally suited to hotels, conference centres, shop-fronts, showrooms, any site that requires high performance and the flexibility of 135° movement.

DOOR TYPES

BS6206 toughened glass panels of 10 or 12mm thickness.

Note: when using glass clamps in combination with protective coatings for glass surfaces such as Clear Shield, ensure that the glass surface to be clamped is not treated with the Clear Shield coating.



TECHNICAL INFORMATION

Track:	550 (extruded aluminium)		
Brackets:	Face fix		1A/550
	Soffit fix		3S/550
Glass Profiles:	Top/bottom glass profile		FRP02
	Swing/slide profile		FRP01
Pivots:	Glass pivot set		21/550GP
Accessories:	Track stop		HH3/301
	Door closers	Floor spring closer	7410
		Transom closer	5600
		(complete with 400mm of 550 track)	
	Swing/sliding floor spring	7305	
Handle sets	H22/200 D - handle 22mm dia. 200mm long		
	H22/300 D - handle 22mm dia. 300mm long		
	H33/220 D - handle 33mm dia. 220mm long		
	H33/300 D - handle 33mm dia. 300mm long		

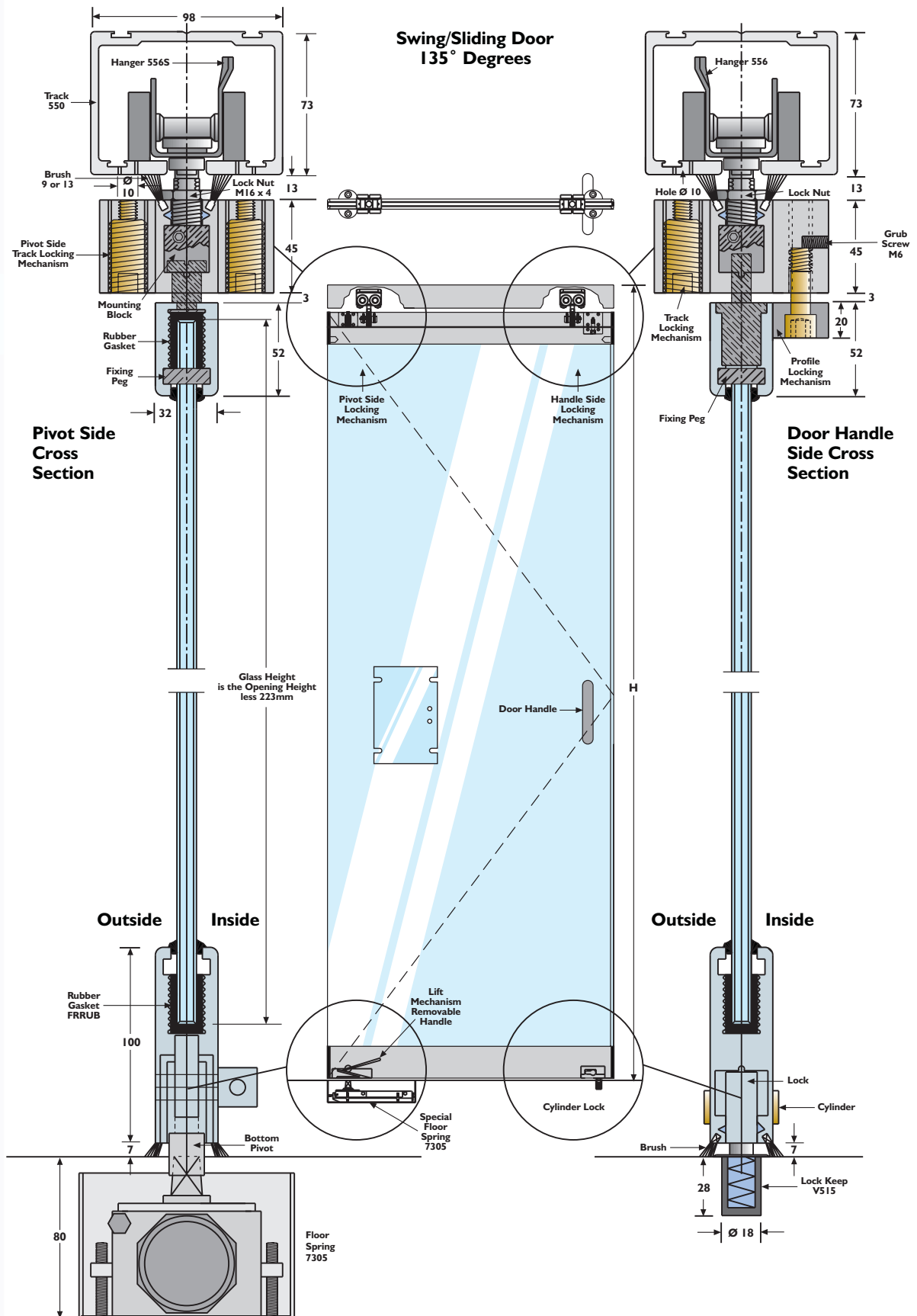
(Standard handle set finishes are silver anodised and white RAL9010. Other finishes are available on request.)

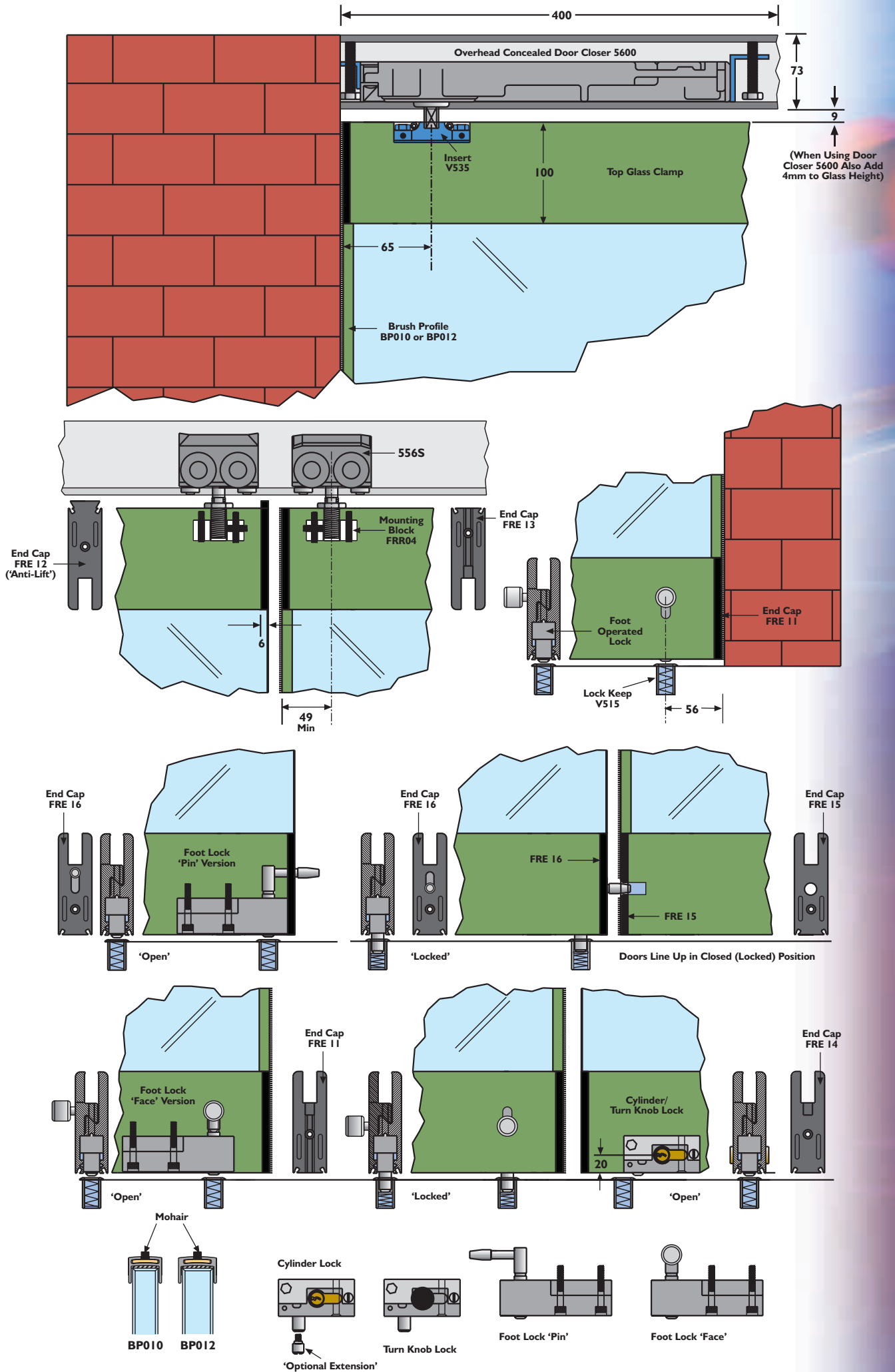


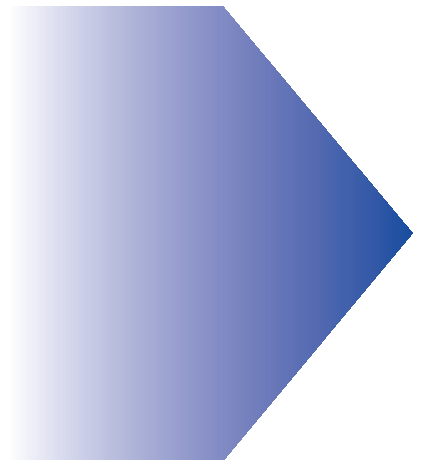
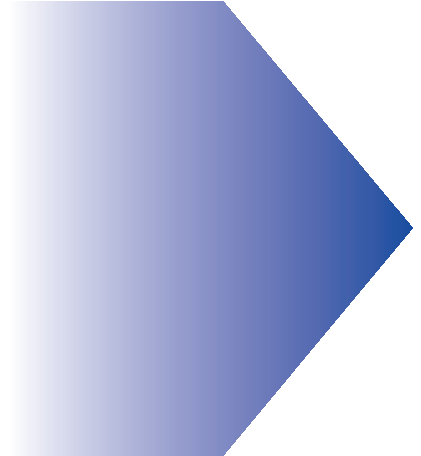
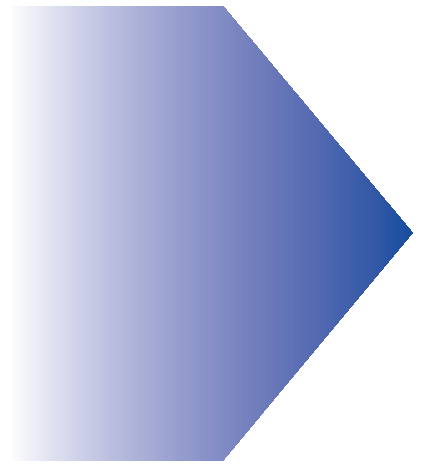
FLEXIROL 135°

MULTIDIRECTIONAL

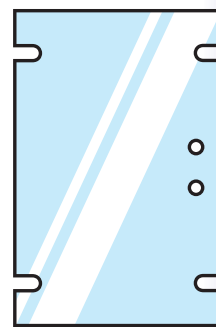
SYSTEM FOR GLASS DOORS



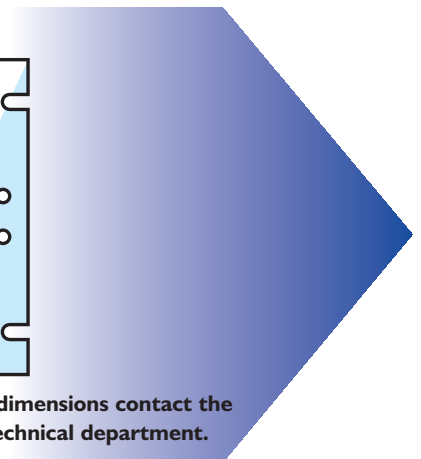




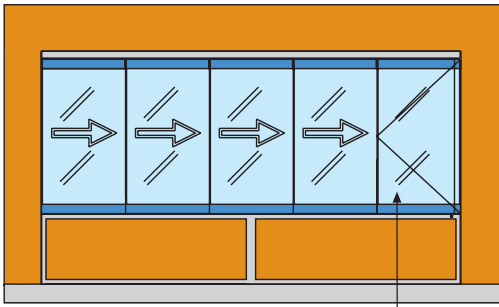
Glass Panel



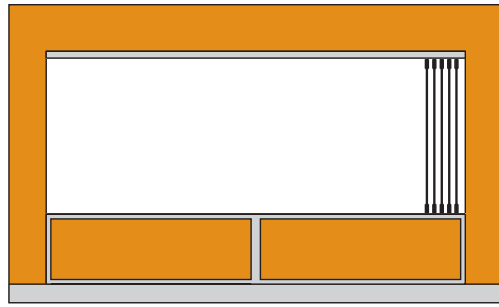
For glass cutting dimensions contact the P C Henderson technical department.



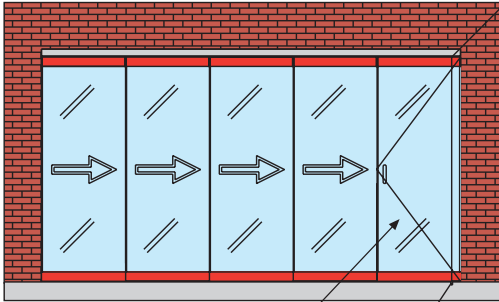
Example Shop-front Configurations



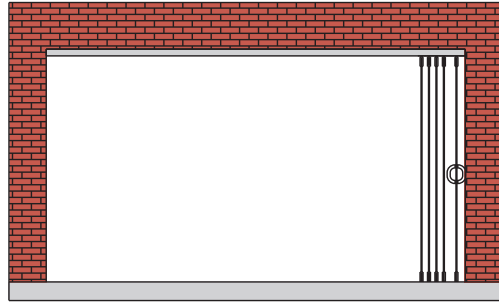
Fixed Swing Door on Pivots



Top Pivot 21/550GP

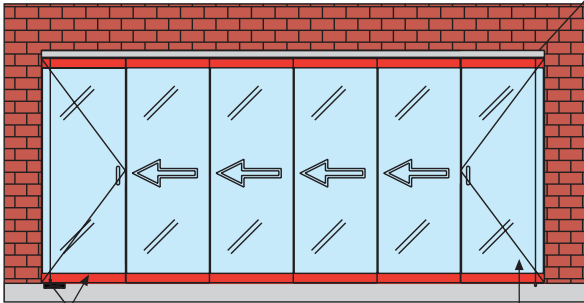


Fixed Swing Door on Pivots



Bottom Pivot 21/550GP

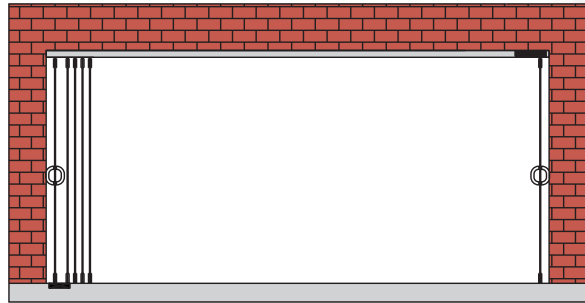
Transom Closer 5600



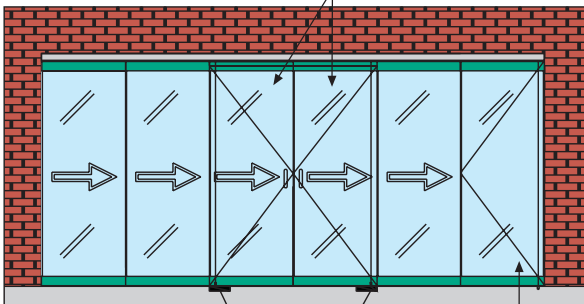
Fixed Swing Door on Floor Spring Door Closer

Floor Spring 7410

Fixed Swing Door on Transom Door Closer

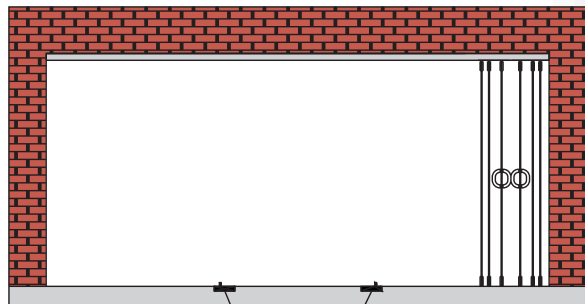


Swing/Sliding Doors on Special Door Closer



Swing/Sliding Floor Spring Door Closer 7305

Fixed Swing Door on Pivots



Swing/Sliding Floor Spring Door Closer 7305