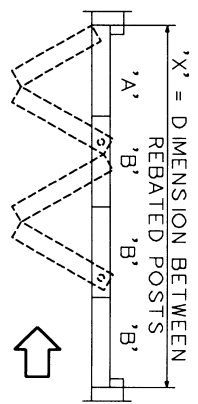
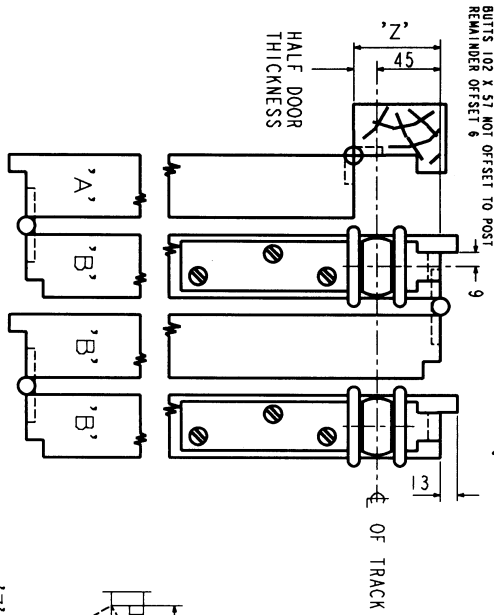


# JOINERY INSTRUCTIONS

## ENDFOLD PARTITION (COUNCIL) 301, 305

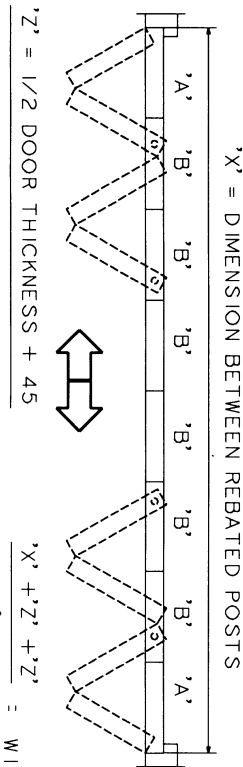
### FOUR LEAF UNIT HINGED TO POST → FOLDING



$$\frac{X + Z}{4} = \text{WIDTH OF LEAVES MARKED 'B'}$$

$$\text{LEAF WIDTH 'A' = 'B' - 'Z'}$$

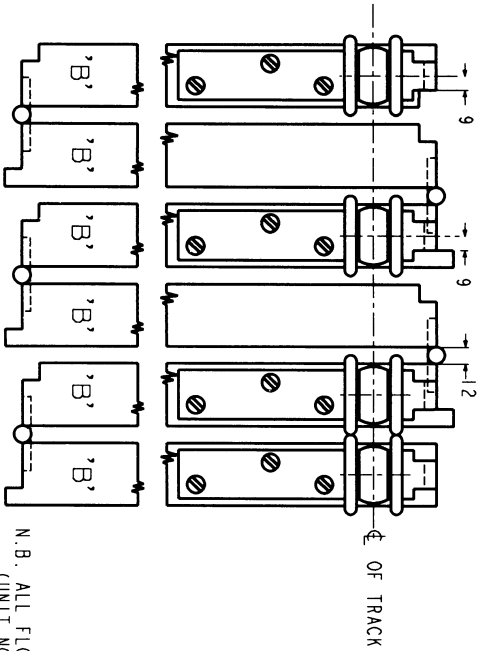
IMPORTANT :-  
LEAF WIDTHS ARE TO THE  
Ø OF HINGE PINTLES.  
ESSENTIAL CLEARANCES  
TO BE ALLOWED FOR.



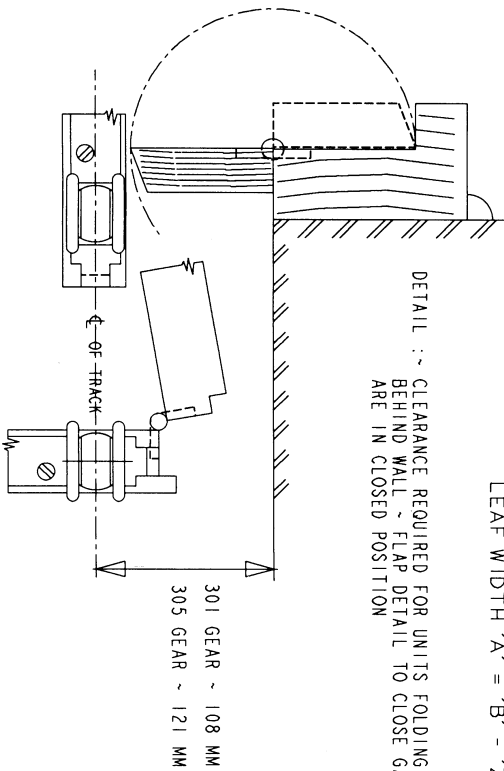
$$\frac{X + Z + Z}{8} = \text{WIDTH OF LEAVES MARKED 'B'}$$

$$\text{LEAF WIDTH 'A' = 'B' - 'Z'}$$

### SIX LEAF 'FLOATING' UNIT → FOLDING



N.B. ALL FLOATING LEAVES ARE EQUAL (SAME AS 'B')  
(UNIT NOT HINGED TO POST - MUST BE IN 4 OR 6 LEAVES)



DETAIL :- CLEARANCE REQUIRED FOR UNITS FOLDING OR 'FLOATING'  
BEHIND WALL ~ FLAP DETAIL TO CLOSE GAP WHEN UNITS  
ARE IN CLOSED POSITION

HENDERSON