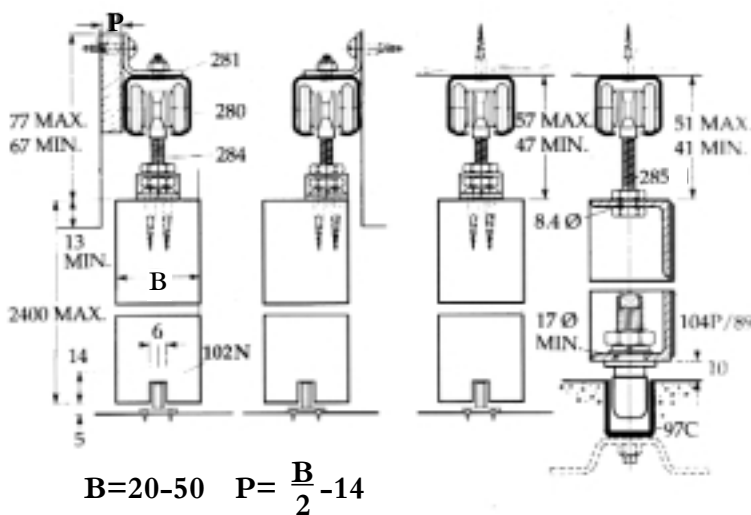
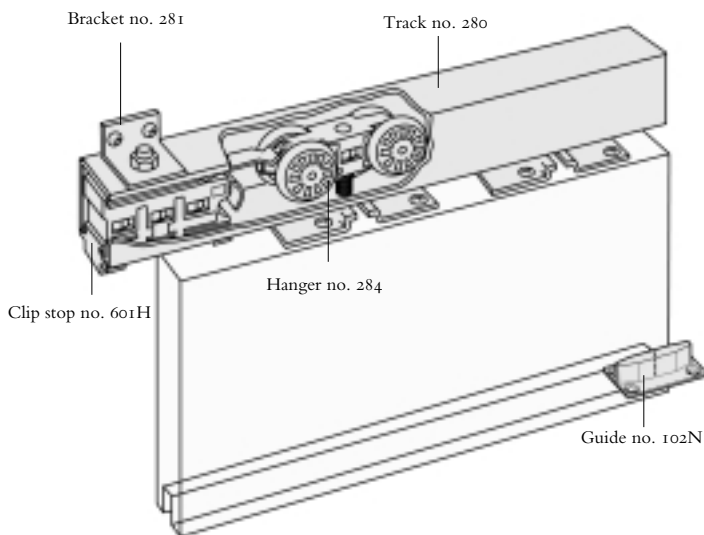


**FOR SLIDING  
WOOD OR  
METAL DOORS  
TO 100KG**

**HUSKY 100**

DOMESTIC SLIDING GEAR

Max leaf size	Weight	Kit no.
2400 x 800 x 50mm	100kg (wood or metal)	Husky H100/15
2400 x 950 x 50mm	100kg (wood or metal)	Husky H100/18
2400 x 1050 x 50mm	100kg (wood or metal)	Husky H100/20
2400 x 1250 x 50mm	100kg (wood or metal)	Husky H100/24



Reliable and highly versatile gear using precision-made components for trouble-free operation.

### KITS

Husky 100: single door fittings pack H100 for metal or wood doors to 100kg max. weight contain: 2 nylon bodied, needle roller bearing 4-wheel hangers; nylon guide; clip stop 601H to hold door fully open or closed and fixing instructions. Track no. 280 (steel) or no. 280A (aluminium) supplied separately in standard lengths from 1.2m to 4.0m.

### OPTIONAL EXTRAS

Optional extras include: face-fixing bracket packs no. 2815 (5 brackets); no. 2818 (8 brackets); hanger for metal doors no. 285; roller guide no. 106R/94; aluminium floor channel no. 94X; bow handle no. 863; flushpull no. 414; flushpull no. 400; flushbolt no. 333; lock no. 295; door edge sponge strip no. 537; anti-draught doorseal guide no. DSI (see pp 52-57 for full product description). Bulk component packs are also available.

All dimensions in mm

Aluminium track kits, clip on aluminium fascia's and sliding glass door kits now also available.