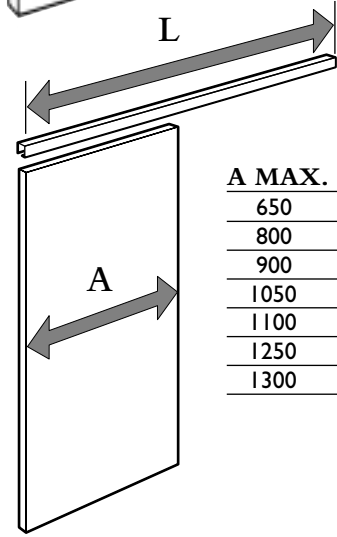
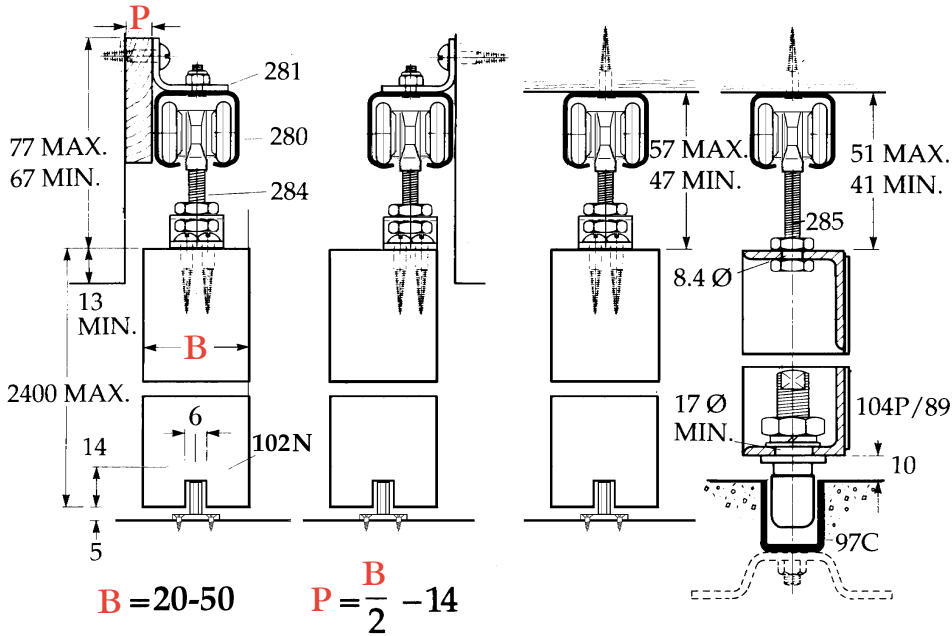
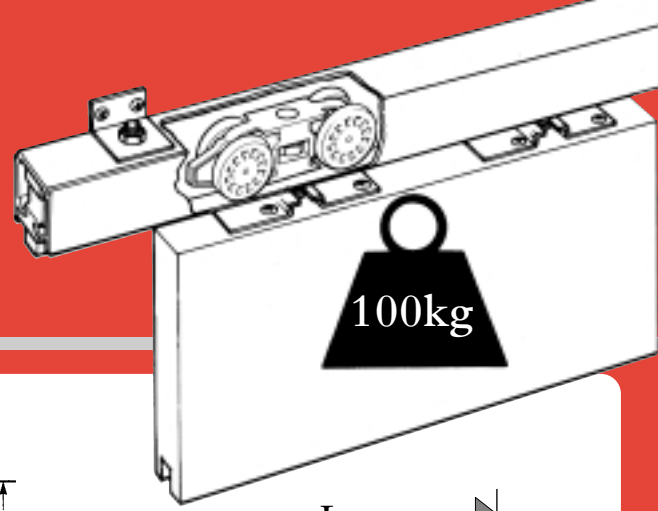
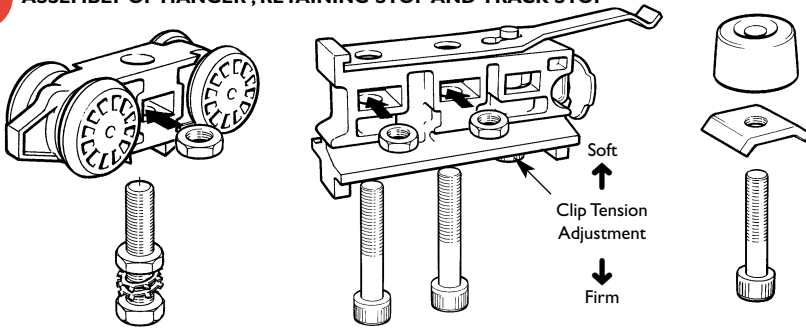


HENDERSON HUSKY 100

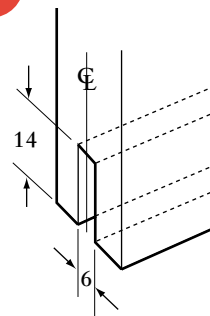
THE ROOM DIVIDER SLIDE



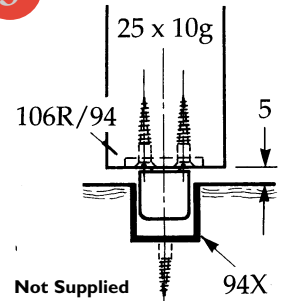
1 ASSEMBLY OF HANGER, RETAINING STOP AND TRACK STOP



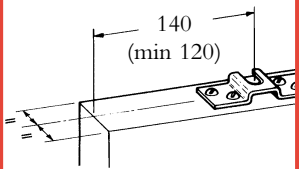
2 REBATE DOOR



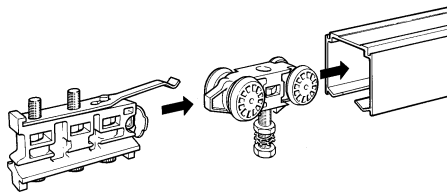
3 ALTERNATIVE GUIDE



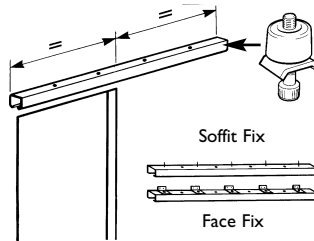
4 FIT HANGER APRON TO DOOR PANEL



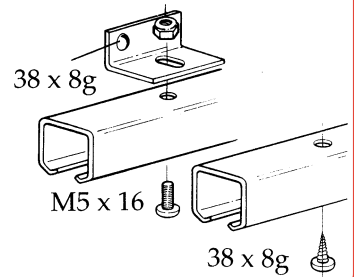
5 INSERT HANGERS AND RETAINING STOP



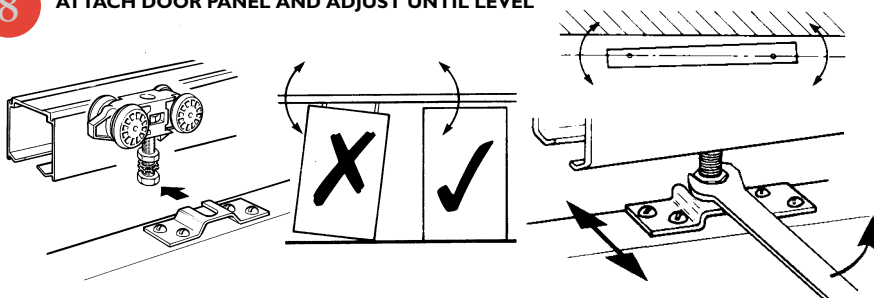
6 SECURE TRACK



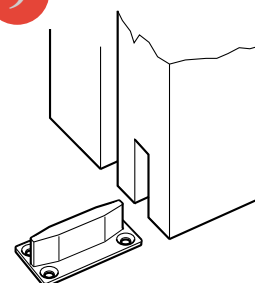
7 FACE AND SOFFIT FIX OPTIONS



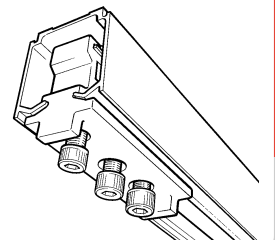
8 ATTACH DOOR PANEL AND ADJUST UNTIL LEVEL



9 FIT DOOR GUIDE

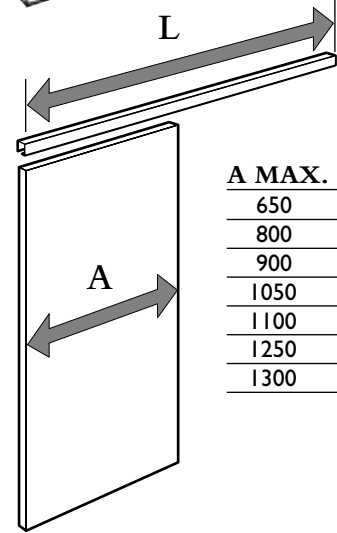
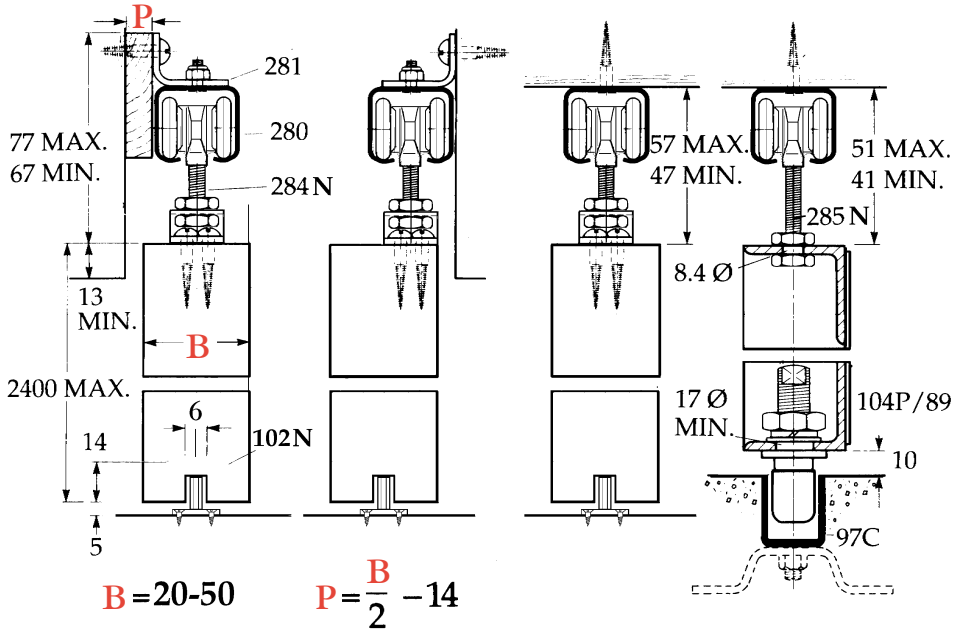
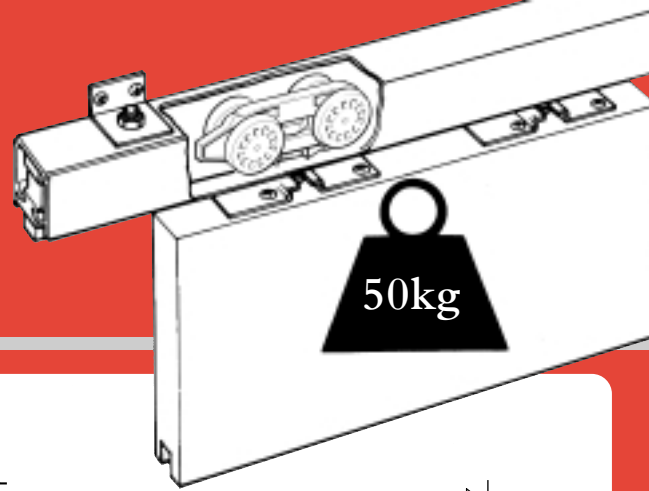


10 POSITION AND SECURE RETAINING STOP



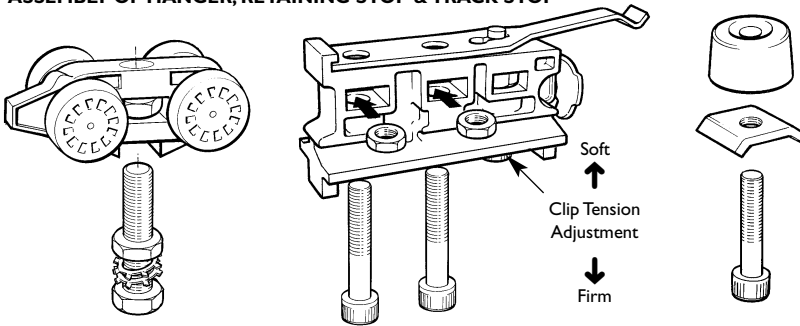
HENDERSON HUSKY 50

THE WARDROBE AND ROOM DIVIDER SLIDE

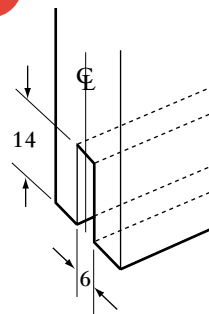


A MAX.	L
650	1200
800	1500
900	1700
1050	2000
1100	2100
1250	2400
1300	2500

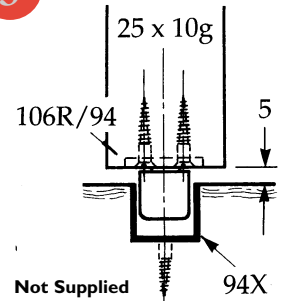
1 ASSEMBLY OF HANGER, RETAINING STOP & TRACK STOP



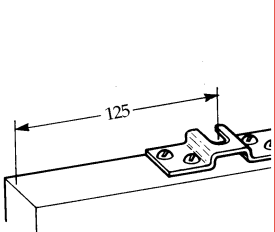
2 REBATE DOOR



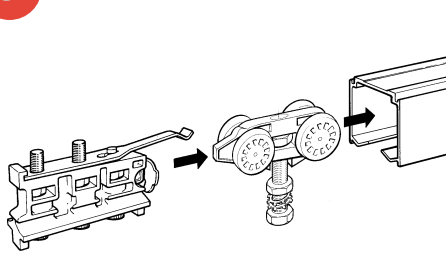
3 ALTERNATIVE GUIDE



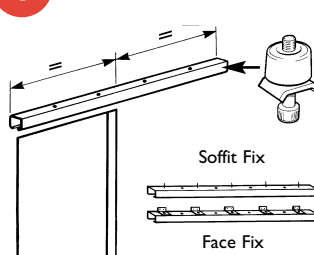
4 FIT HANGER APRON TO DOOR PANEL



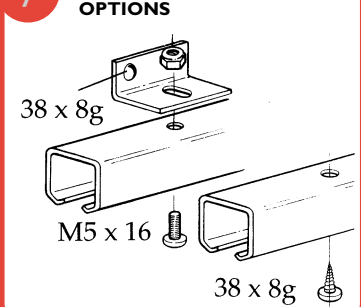
5 INSERT HANGERS AND RETAINING STOP



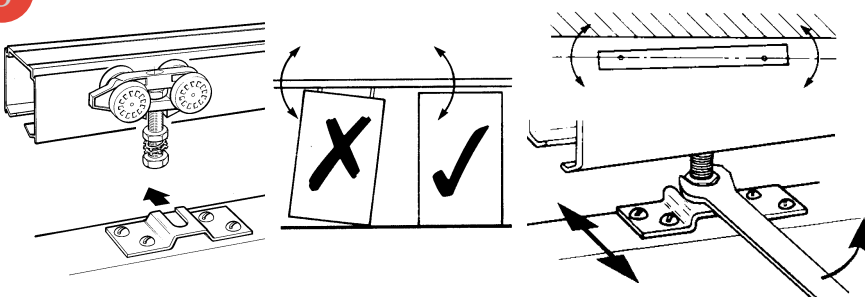
6 SECURE TRACK



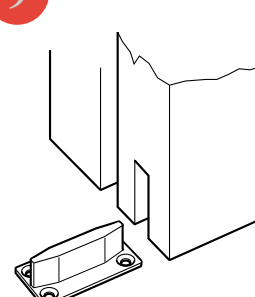
7 FACE AND SOFFIT FIX OPTIONS



8 ATTACH DOOR PANEL AND ADJUST UNTIL LEVEL



9 FIT DOOR GUIDE



10 POSITION AND SECURE RETAINING STOP

