

# ENDFOLD PARTITION (Council) 290

E A C H D O O R W E I G H T M A X 3 5 k g

## INTERNAL FOLDING DOORS HINGED TO POST OR FLOATING TOP HUNG TIMBER DOORS

### APPLICATION

- ▶ Suitable for residential or light commercial folding partitions.
- ▶ Leaves can fold to one or both sides of the opening and can be stacked behind a reveal if required.
- ▶ To cover any width of opening, any number of folding units can be used.

### DOOR SPECIFICATION

#### 290

For individual leaves:

Max Leaf Height	2700mm
Max Leaf Weight	35 kg
Max Leaf Width	900mm
Leaf Thickness	35-44mm

Folding units of up to eight leaves can be hinged to post.

Floating units consist of four, six or eight leaves.

A swinging access door can be included within a unit hinged to post by incorporating an odd number of leaves.

Instruction on leaf width calculation is provided with the Expert Service and Joinery Instruction 1984.

Clearance between leaves to be 2mm minimum.

Door leaves should be constructed to provide secure fixing for the hanger, hinges and guides and can either be flush, panelled or glazed.

### GEAR SPECIFICATION

<b>Track:</b>	290 (2mm thickness)
<b>Material:</b>	galvanised steel
<b>Standard lengths:</b>	1800mm, 2000mm, 2500mm, 3000mm, 4000mm and 6000mm.

<b>Brackets:</b>		
soffit fixing	3A/290	aluminium alloy pressure die casting
face fixing	1A/290	aluminium alloy pressure die casting

Brackets for special applications are available (see overleaf).

Fix at 900mm centres (maximum)

Fix additional brackets where folding units stack.

<b>Hangers:</b>		
	21K/S	intermediate and end leaves
	21K/4S	adjacent to swinging access door

Hangers are fitted with steel wheels on a sintered bush bearing.  
Vertical adjustment is simple and positive.

<b>Guides:</b>	21KR/94
----------------	---------

<b>Hinges:</b>	403/1	butt hinge
----------------	-------	------------

Fit three hinges.

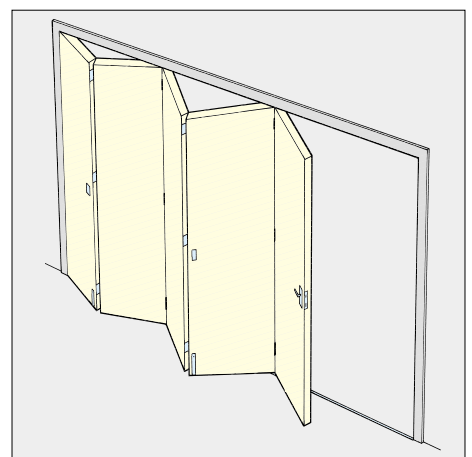
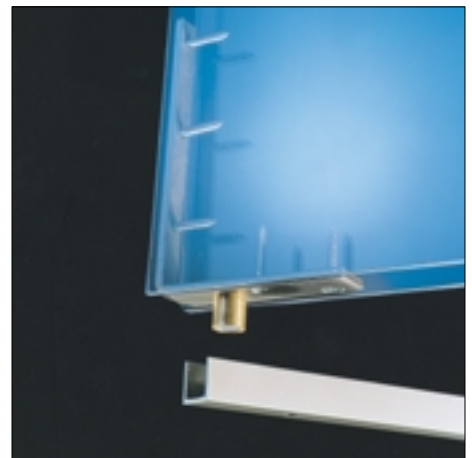
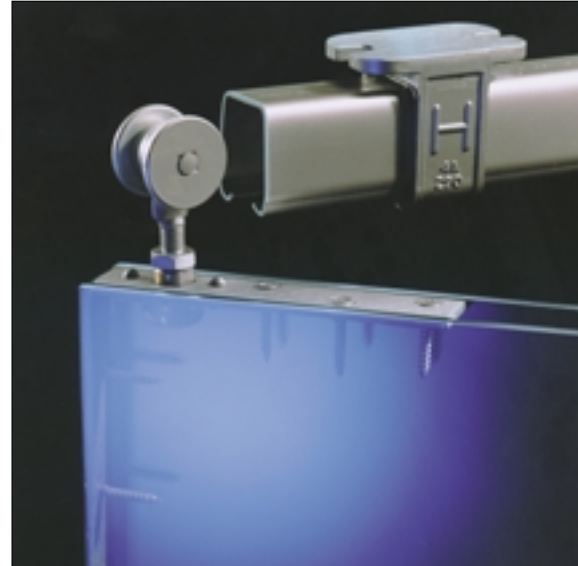
All steel parts to hangers and guides are electro-zinc plated.

<b>Channel:</b>	94X	aluminium
	94	brass

Standard lengths of aluminium channel correspond with standard track lengths. Standard lengths of brass channel are 1500mm and 3000mm.

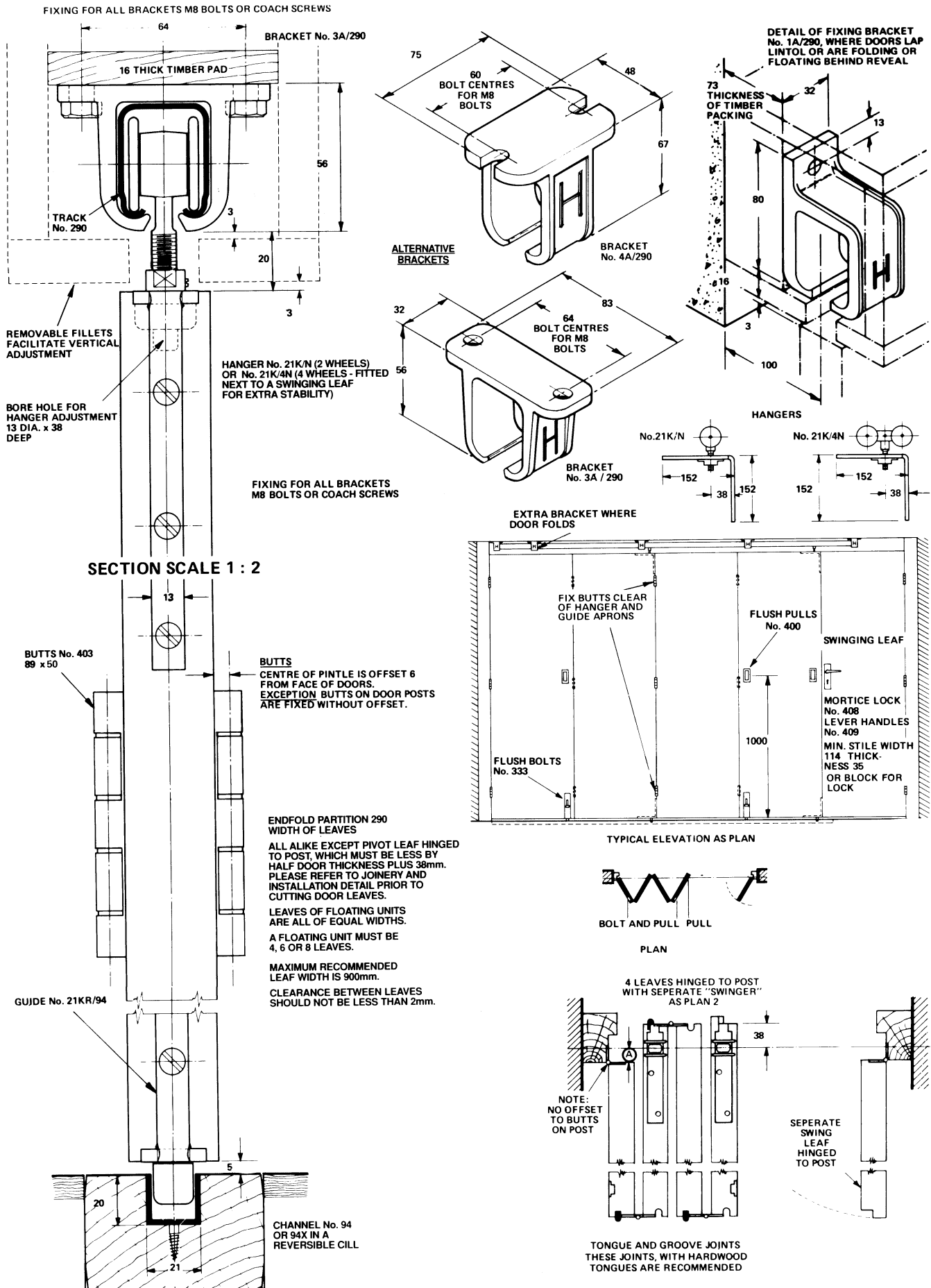
Pre-drilled and countersunk for wood or lugging into concrete.

<b>Accessories:</b>	Flush Pulls, Flush Bolts and Locks.
---------------------	-------------------------------------



Standard Application

# ENDFOLD PARTITION COUNCIL 290



# ENDFOLD PARTITION (Council) 301

EACH DOOR WEIGHT MAX 55kg or 70kg

## APPLICATION

- ▶ Suitable for residential and commercial folding partitions.
- ▶ Leaves can fold to one or both sides of the opening and can be stacked behind a reveal if required.
- ▶ To cover any width of opening, any number of folding units can be used.

## DOOR SPECIFICATION

	301	301H
For individual leaves:		
Max Leaf Height	3300mm	3600mm
Max Leaf Weight	55 kg	70 kg
Max Leaf Width	900mm	900mm
Leaf Thickness	44-57mm	44-57mm

Folding units of up to eight leaves can be hinged to post.

Floating units consist of four, six or eight leaves.

A swinging access door can be included within a unit hinged to post under 3000mm high by incorporating an odd number of leaves. On openings above 3000mm high, units should consist of an even number of leaves and access doors should either be a separate independent swing door or a wicket door in one of the folding leaves.

Instruction on leaf width calculation is provided with the Expert Service and Joinery Instruction 1839.

Clearance between leaves to be 2mm minimum.

Door leaves should be constructed to provide secure fixing for the hanger, hinges and guides and can either be flush, panelled or glazed.

## GEAR SPECIFICATION

**Track:** 301 (2mm thickness) or 301H (3mm thickness)  
**Material:** galvanised steel  
**Standard lengths:** 1800mm, 2000mm, 2500mm, 3000mm, 4000mm and 6000mm.

**Brackets:**  
 soffit fixing 3A/301 aluminium alloy pressure die casting  
 face fixing 1A/301 aluminium alloy pressure die casting

Brackets for special applications are available (see overleaf).

Fit at 900mm centres (maximum).

Fix additional bracket where folding units stack.

**Hangers:**  
 21A/5 intermediate and end leaves  
 21A/4S adjacent to swinging access door

Hangers are fitted with steel wheels on maintenance free sealed for life precision ball bearings. Vertical adjustment is simple and positive.

**Guides:** 21R/94

**Hinges:** 403/2 butt hinge  
 On leaves up to 3000mm high fit 3 hinges, above 3000mm fit 4 hinges.

All steel parts to hangers and guides are electro-zinc plated.

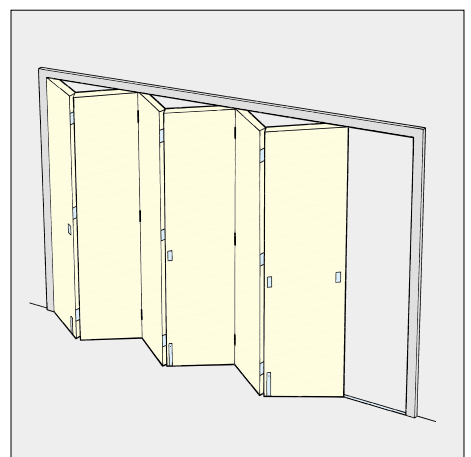
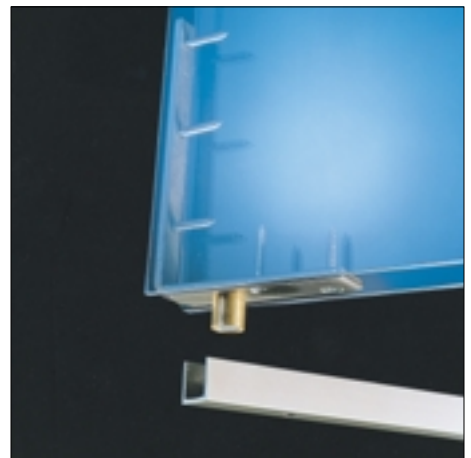
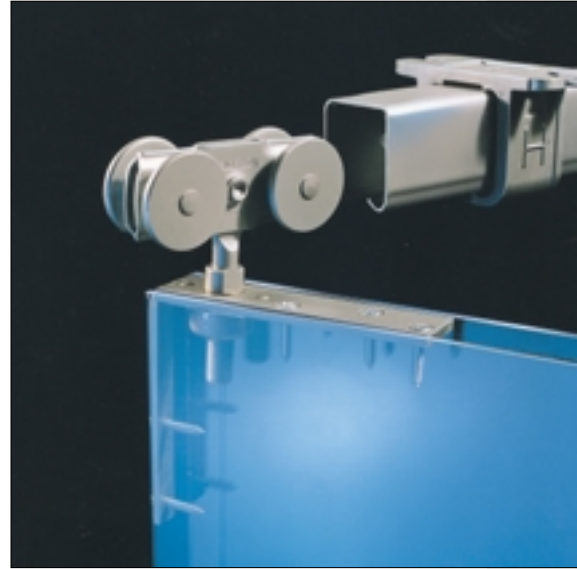
**Channel:** 94X aluminium  
 94 brass

Standard lengths of aluminium channel correspond with standard track lengths. Standard lengths of brass channel are 1500mm and 3000mm.

Pre-drilled and countersunk for wood or lugging into concrete.

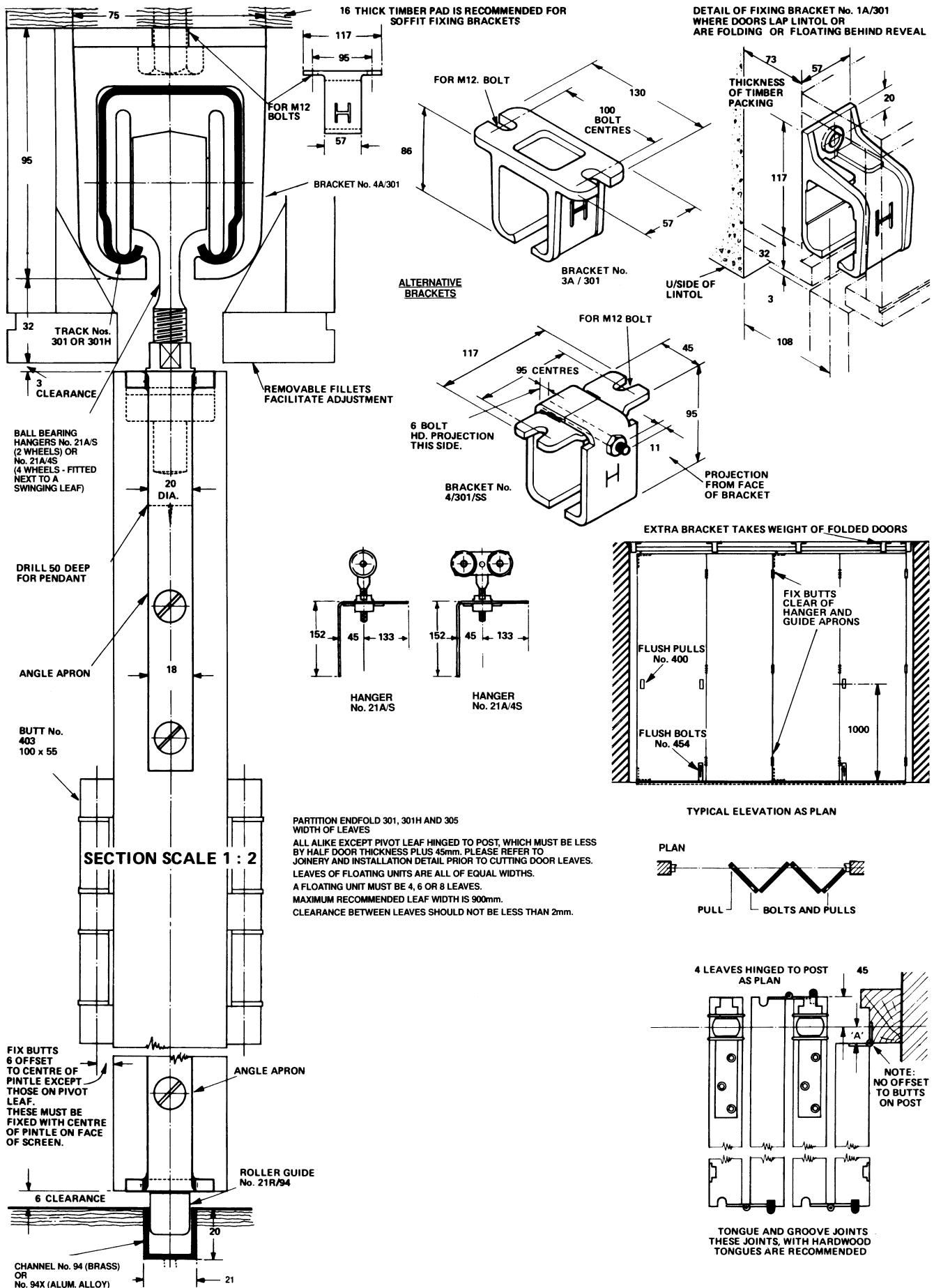
**Accessories:** Flush Pulls, Flush Bolts and Locks.

## INTERNAL FOLDING DOORS TOP HUNG TIMBER DOORS



Standard Application

# ENDFOLD PARTITION COUNCIL 301



**PARTITION ENDFOLD 301, 301H AND 305**  
 WIDTH OF LEAVES  
 ALL ALIKE EXCEPT PIVOT LEAF HINGED TO POST, WHICH MUST BE LESS BY HALF DOOR THICKNESS PLUS 45mm. PLEASE REFER TO JOINERY AND INSTALLATION DETAIL PRIOR TO CUTTING DOOR LEAVES.  
 LEAVES OF FLOATING UNITS ARE ALL OF EQUAL WIDTHS.  
 A FLOATING UNIT MUST BE 4, 6 OR 8 LEAVES.  
 MAXIMUM RECOMMENDED LEAF WIDTH IS 900mm.  
 CLEARANCE BETWEEN LEAVES SHOULD NOT BE LESS THAN 2mm.

**ENDFOLD  
PARTITION  
(Council)**

**305**

E A C H D O O R W E I G H T M A X 8 0 k g

**INTERNAL FOLDING DOORS  
TOP HUNG  
TIMBER DOORS**

**APPLICATION**

- ▶ Suitable for heavier residential and commercial folding partitions.
- ▶ Leaves can fold to one or both sides of the opening and can be stacked behind a reveal if required.
- ▶ To cover any width of opening, any number of folding units can be used.

**DOOR SPECIFICATION**

**305**

For individual leaves:

Max Leaf Height	4500mm
Max Leaf Weight	80 kg
Max Leaf Width	900mm
Leaf Thickness	44-57mm

Folding units of up to eight leaves can be hinged to post.

Floating units consist of four, six or eight leaves.

Access doors should be either a separate swing door or a wicket door in one of the folding leaves.

Instruction on leaf width calculation is provided with the Expert Service and Joinery Instruction 1839.

Clearance between leaves to be 2mm minimum.

Door leaves should be constructed to provide secure fixing for the hanger, hinges and guides and can either be flush, panelled or glazed.

**GEAR SPECIFICATION**

<b>Track:</b>	305 (3mm thickness)
<b>Material:</b>	galvanised steel
<b>Standard lengths:</b>	1800mm, 2000mm, 2500mm, 3000mm, 4000mm and 6000mm.

<b>Brackets:</b>		
soffit fixing	3A/305	aluminium alloy pressure die casting
face fixing	1A/305	aluminium alloy pressure die casting
Brackets for special applications are available (see overleaf).		
Fix at 900mm centres (maximum).		
Fix additional bracket where folding units stack.		

<b>Hangers:</b>	21C/S	intermediate and end leaves
Hangers are fitted with steel wheels on maintenance free sealed for life precision ball bearings.		

<b>Hinges:</b>	403/3	butt hinge
On leaves up to 3000mm high fit 3 hinges, above 3000mm fit 4 hinges.		

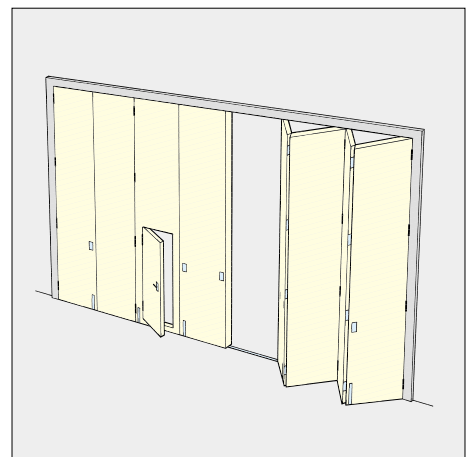
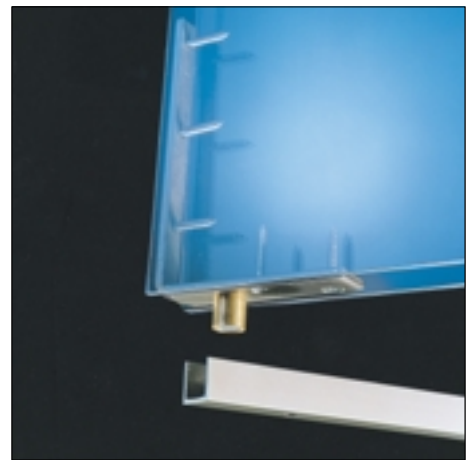
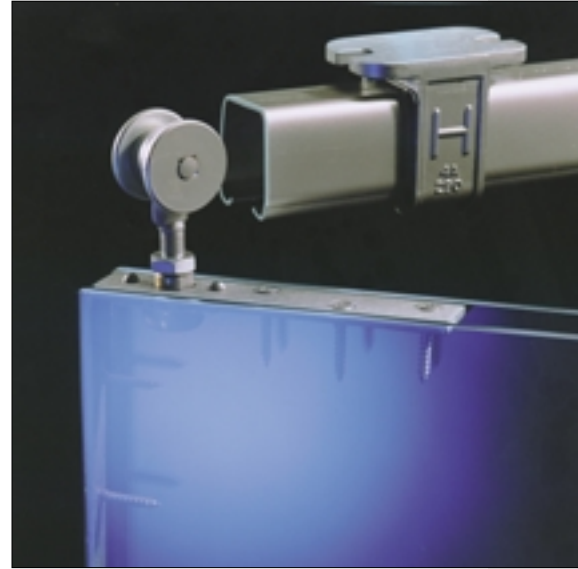
All steel parts to hangers and guides are electro-zinc plated.

<b>Channel:</b>	94X	aluminium
	94	brass

Standard lengths of aluminium channel correspond with standard track lengths. Standard lengths of brass channel are 1500mm and 3000mm.

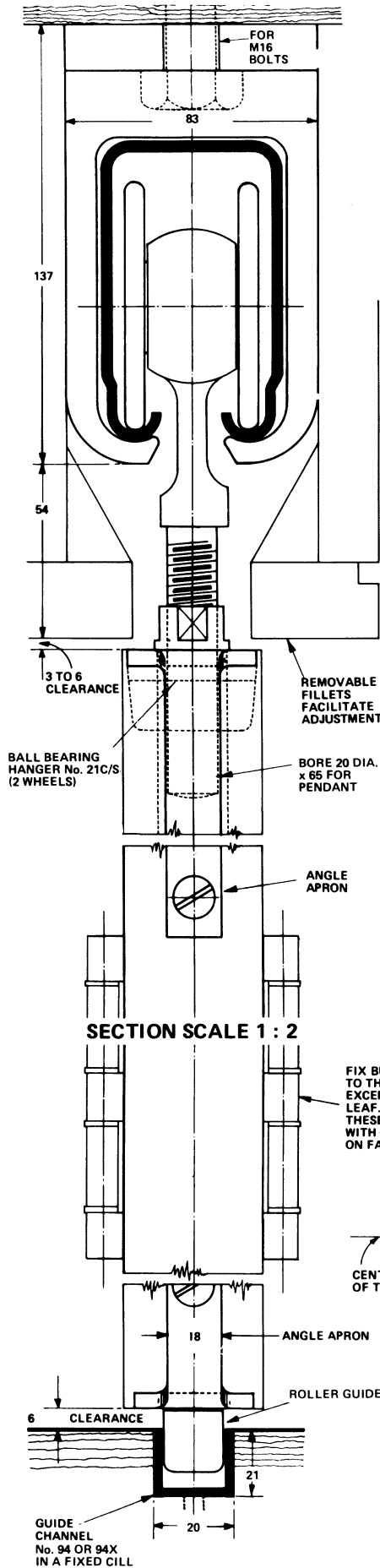
Pre-drilled and countersunk for wood or lugging into concrete.

<b>Accessories:</b>	Flush Pulls, Flush Bolts and Locks.
---------------------	-------------------------------------



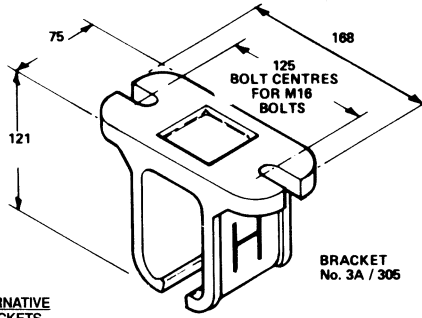
Standard Application

# ENDFOLD PARTITION COUNCIL 305

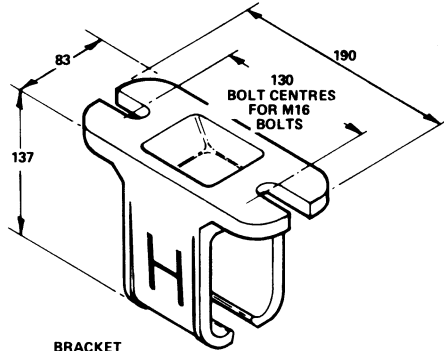


SECTION SCALE 1 : 2

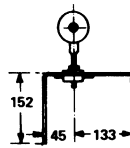
ALTERNATIVE BRACKETS



BRACKET No. 3A / 305



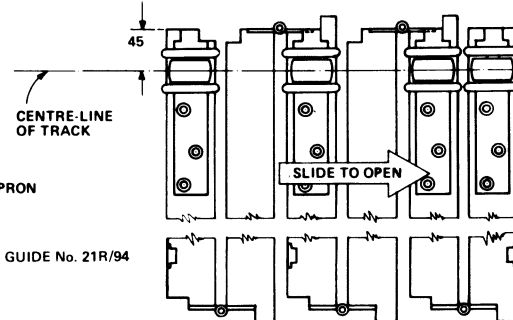
BRACKET No. 4A / 305



HANGER No. 21C/S

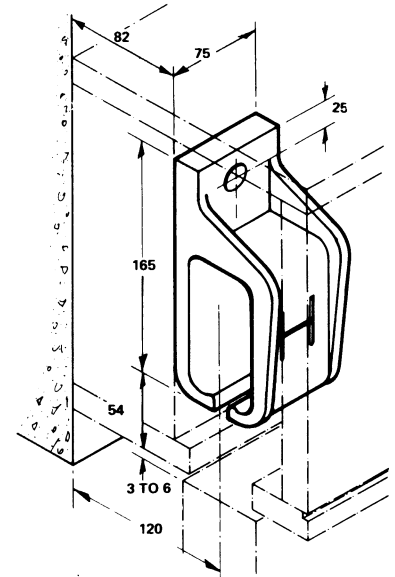
PARTITION ENDFOLD 301, 301H AND 305  
WIDTH OF LEAVES  
ALL ALIKE EXCEPT PIVOT LEAF HINGED TO POST,  
WHICH MUST BE LESS BY HALF DOOR THICKNESS PLUS 45mm.  
PLEASE REFER TO JOINERY AND INSTALLATION DETAIL PRIOR  
TO CUTTING DOOR LEAVES.  
LEAVES OF FLOATING UNITS ARE ALL OF EQUAL WIDTHS.  
A FLOATING UNIT MUST BE 4, 6 OR 8 LEAVES.  
MAXIMUM RECOMMENDED LEAF WIDTH IS 900mm.  
CLEARANCE BETWEEN LEAVES SHOULD NOT BE LESS THAN 2mm.

FIX BUTTS 6 OFFSET  
TO THE CENTRE OF PINTLE,  
EXCEPT THOSE ON PIVOT  
LEAF.  
THESE MUST BE FIXED  
WITH CENTRE OF PINTLE  
ON FACE OF LEAF.

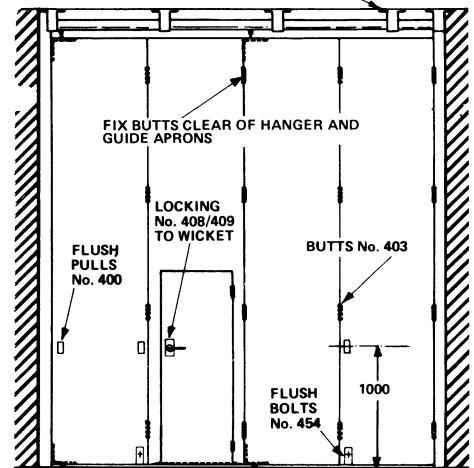


REBATED JOINTS  
IF REBATING IS PREFERRED  
IT MUST BE TO LAYOUT  
ABOVE

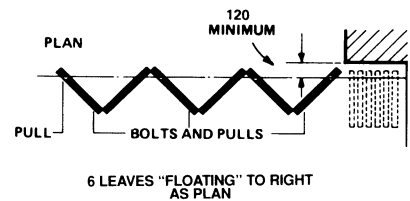
DETAIL OF FIXING BRACKET  
No. 1A/305 WHERE DOORS LAP  
LINTOL OR ARE FOLDING OR  
FLOATING BEHIND REVEAL.



EXTRA BRACKET TAKES  
WEIGHT OF FOLDED DOORS



TYPICAL ELEVATION



6 LEAVES "FLOATING" TO RIGHT  
AS PLAN

# ENDFOLD PIVOT PARTITION (Council)

# 290

E A C H D O O R W E I G H T M A X 3 5 k g

## INTERNAL FOLDING DOORS - PIVOT TOP HUNG TIMBER DOORS

### APPLICATION

- ▶ Suitable for residential and light commercial folding partitions.
- ▶ Leaves can fold to one or both sides of the opening.
- ▶ Pivot gear enables a folding internal partition to be designed with standard width door leaves and no cutting down of the leaf adjacent to post.
- ▶ To cover any width of opening, any number of folding units can be used.

### DOOR SPECIFICATION

#### 290

For individual leaves:

Max Leaf Height	2700mm
Max Leaf Weight	35 kg
Max Leaf Width	900mm
Leaf Thickness	35-44mm

The folding unit is not hinged to post, but is pivoted in the track and off the floor. The distance from the edge of the leaf to the pivot set equals the distance from the edge of the leaf to the hanger pendant.

Folding units of up to eight leaves can be pivoted, floating units consist of four, six or eight leaves.

A swinging access door can be included within a pivoted unit by incorporating an odd number of leaves.

Clearance between leaves to be 2mm minimum.

Door leaves should be constructed to provide secure fixing for the hanger, hinges and guides and can either be flush, panelled or glazed.

### GEAR SPECIFICATION

<b>Track:</b>	290 (2mm thickness)	
<b>Material:</b>	galvanised steel	
<b>Standard lengths:</b>	1800mm, 2000mm, 2500mm, 3000mm, 4000mm and 6000mm.	

<b>Brackets:</b>		
soffit fixing	3A/290	aluminium alloy pressure die casting
face fixing	1A/290	aluminium alloy pressure die casting
Brackets for special applications are available (see overleaf).		
Fix at 900mm centres (maximum).		
Fix additional brackets where folding units stack.		

<b>Hangers:</b>		
	21K/S	intermediate and end leaves
	21K/4S	adjacent to swinging access door

Hangers are fitted with steel wheels on sintered bush bearings.  
Vertical adjustment is simple and positive.

<b>Pivot set:</b>	21K/P	top and bottom pivots
-------------------	-------	-----------------------

<b>Guides:</b>	21R/94	
----------------	--------	--

<b>Hinges:</b>	403/1	
----------------	-------	--

Fit 3 hinges high.

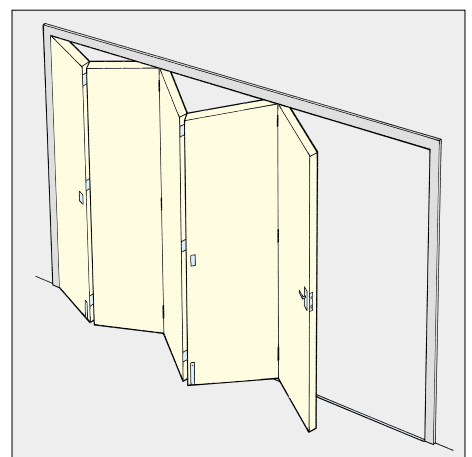
All steel parts to hangers and guides are electro-zinc plated.

<b>Channel:</b>	94X	aluminium
	94	brass

Standard lengths of aluminium channel correspond with standard track lengths. Standard lengths of brass channel are 1500mm and 3000mm.

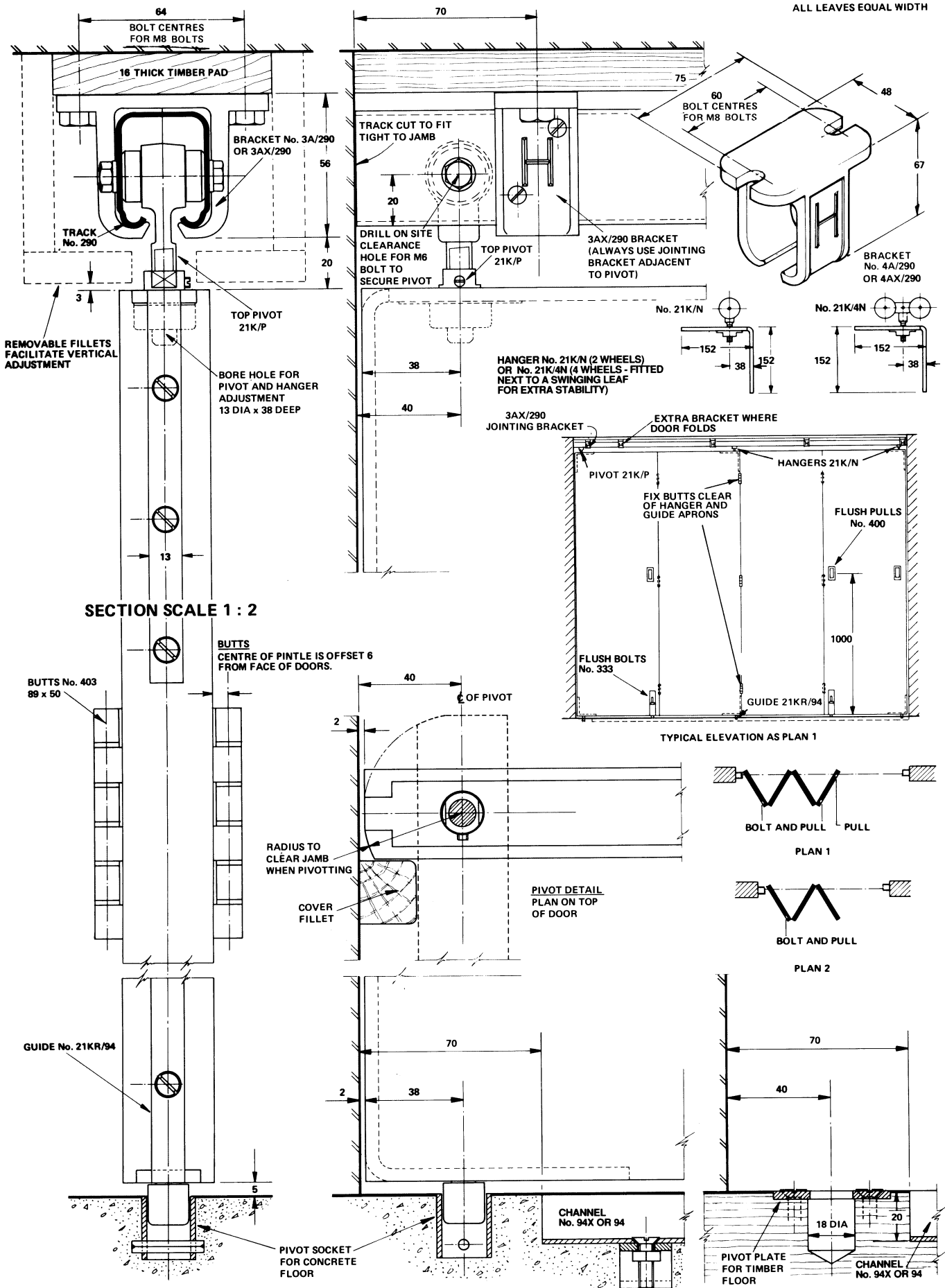
Pre-drilled and countersunk for wood or lugging into concrete.

<b>Accessories:</b>	Flush Pulls, Flush Bolts and Locks.
---------------------	-------------------------------------



Standard Application

# ENDFOLD PIVOT PARTITION COUNCIL 290





# ENDFOLD PIVOT PARTITION (Council)

# 301

EACH DOOR WEIGHT MAX 55 kg or 70 kg

## APPLICATION

- ▶ Suitable for residential and commercial folding partitions.
- ▶ Leaves can fold to one or both sides of the opening.
- ▶ Pivot gear enables a folding internal partition to be designed with standard width door leaves and no cutting down of the leaf adjacent to post.
- ▶ To cover any width of opening, any number of folding units can be used.

## DOOR SPECIFICATION

	301	301H
For individual leaves:		
Max Leaf Height	3300mm	3600mm
Max Leaf Weight	55 kg	70 kg
Max Leaf Width	900mm	900mm
Leaf Thickness	44-57mm	44-57mm

The folding unit is not hinged to post, but is pivoted in the track and off the floor. The distance from the edge of the leaf to the pivot set equals the distance from the edge of the leaf to the hanger pendant.

Folding units of up to eight leaves can be pivoted, floating units consist of four, six or eight leaves.

A swinging access door can be included within a pivoted unit under 3000mm high by incorporating an odd number of leaves. On openings above 3000mm high, units should consist of an even number of leaves and access doors should either be a separate independent swing door or a wicket door in one of the folding leaves.

Clearance between leaves to be 2mm minimum.

Door leaves should be constructed to provide secure fixing for pivot sets, hangers, hinges and guides and can either be flush, panelled or glazed.

## GEAR SPECIFICATION

<b>Track:</b>	301 (2mm thickness)	301H (3mm thickness)
<b>Material:</b>	galvanised steel	
<b>Standard lengths:</b>	1800mm, 2000mm, 2500mm, 3000mm, 4000mm and 6000mm.	

<b>Brackets:</b>		
soffit fixing	3A/301	aluminium alloy pressure die casting
face fixing	1A/301	aluminium alloy pressure die casting

Brackets for special applications are available (see overleaf).

Fix at 900mm centres (maximum).

Fix additional bracket where folding units stack.

<b>Hangers:</b>		
	21A/VS	intermediate and end leaves
	21A/4S	adjacent to swinging access door

Hangers are fitted with steel wheels on maintenance free sealed for life precision ball bearings. Vertical adjustment is simple and positive.

<b>Pivot set:</b>	21A/P	top and bottom pivots
-------------------	-------	-----------------------

<b>Guides:</b>	21R/94	
----------------	--------	--

<b>Hinges:</b>	403/2	butt hinge
----------------	-------	------------

On leaves up to 3000mm high fit 3 hinges, above 3000mm fit 4 hinges.

All steel parts to hangers and guides are electro-zinc plated.

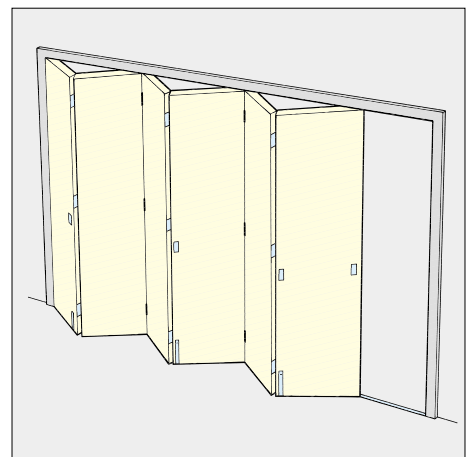
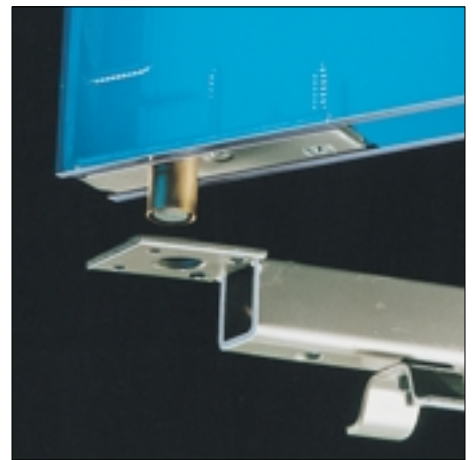
<b>Channel:</b>	94X	aluminium
	94	brass

Standard lengths of aluminium channel correspond with standard track lengths. Standard lengths of brass channel are 1500mm and 3000mm.

Pre-drilled and countersunk for wood or lugging into concrete.

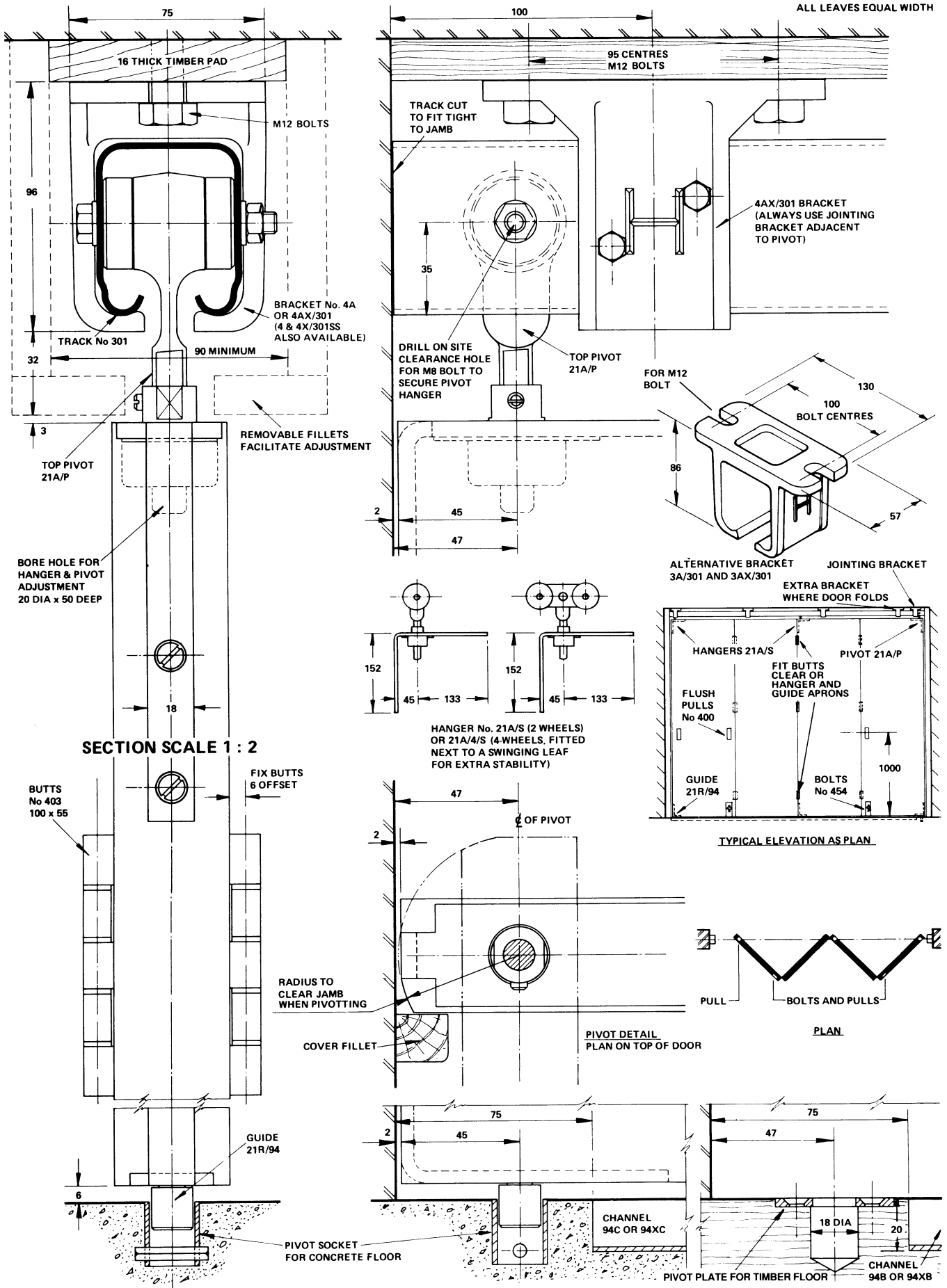
**Accessories:** Flush Pulls, Flush Bolts and Locks.

## INTERNAL FOLDING DOORS - PIVOT TOP HUNG TIMBER DOORS



Standard Application

# ENDFOLD PIVOT PARTITION COUNCIL 301



# CENTREFOLD PARTITION (Council) 290

E A C H D O O R W E I G H T M A X 3 5 k g

## APPLICATION

- ▶ Suitable for residential and lighter/smaller commercial folding partitions.
- ▶ Leaves are hung centrally under the lintel and can fold to one or both sides of the opening.
- ▶ To cover any width of opening, any number of folding units can be used

## DOOR SPECIFICATION

### 290

For individual leaves:

Max Leaf Height	2700mm
Max Leaf Weight	35 kg
Max Leaf Width	1000mm
Leaf Thickness	35-44mm

Folding units of up to seven full leaves and one half leaf can be hinged to post.

Floating units consist of three, five or seven full leaves.

Access doors should be either be a separate swing door or a wicket door in one of the folding leaves.

All full leaves should be of an equal width. Instruction on leaf width calculation for full and half leaf are provided with the Expert Service and Joinery Instruction 2528.

Clearance between leaves to be 2mm minimum.

Door leaves should be constructed to provide secure fixing for hanger, hinges and guides and can be flush, panelled or glazed.

## GEAR SPECIFICATION

<b>Track:</b>	290 (2mm thickness)
<b>Material:</b>	galvanised steel
<b>Standard Lengths:</b>	1800mm, 2000mm, 2500mm, 3000mm, 4000mm and 6000mm

**Brackets:-**  
soffit fixing 3A/290 aluminium alloy pressure die casting  
Brackets for special applications are available (see overleaf).  
Fix at 900mm centres (maximum).  
Fix additional bracket where folding units stack.

**Hangers:-** 61K/S  
Hangers are fitted with steel wheels on sintered bush bearings.  
Vertical adjustment is simple and positive.

**Guides:-** 106R/94

**Hinges:-** 403/1 butt hinge  
Fit three hinges high.

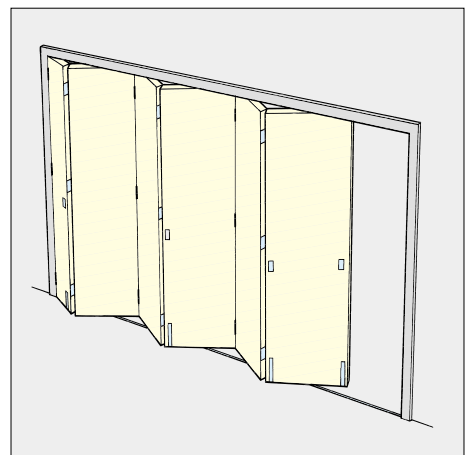
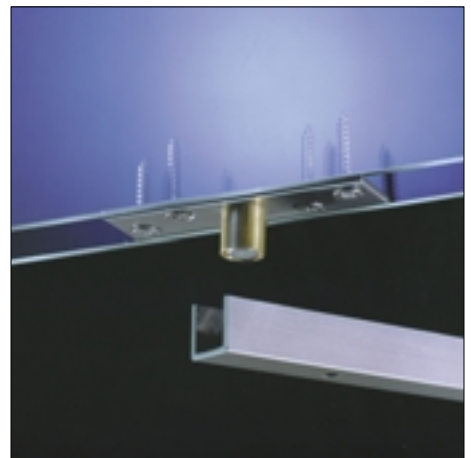
All steel parts to hangers and guides are electro-zinc plated.

**Channel:** 94X aluminium  
94 brass

Standard lengths of aluminium channel correspond with standard track lengths, standard lengths of brass channel are 1500mm and 3000mm. Pre-drilled and countersunk for wood or lugging into concrete.

**Accessories:** Flush Pulls, Flush Bolts and Locks.

## INTERNAL FOLDING DOORS HINGED TO POST TOP HUNG TIMBER DOORS



Standard Application

# CENTREFOLD PARTITION COUNCIL 290

