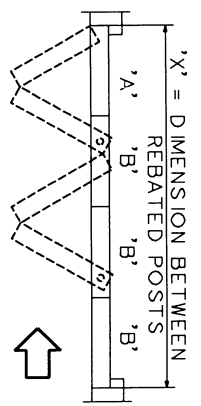
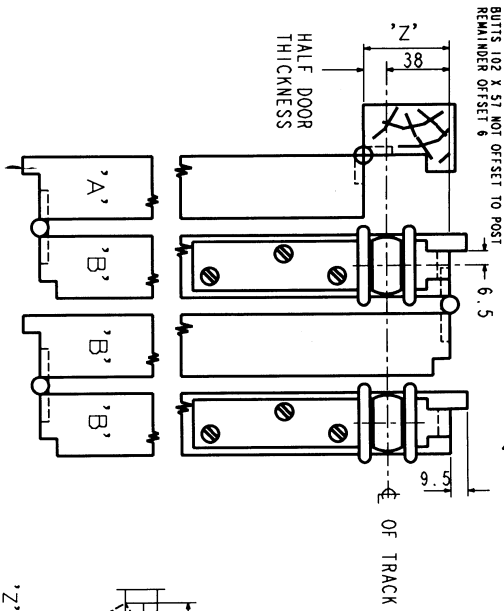


# JOINERY INSTRUCTIONS

## ENDFOLD PARTITION (COUNCIL) 290

### FOUR LEAF UNIT HINGED TO POST

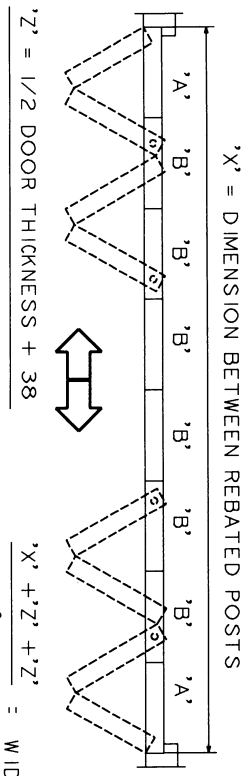


$$\frac{X + Z}{4} = \text{WIDTH OF LEAVES MARKED 'B'}$$

$$\text{LEAF WIDTH 'A' = 'B' - 'Z'}$$

IMPORTANT :-

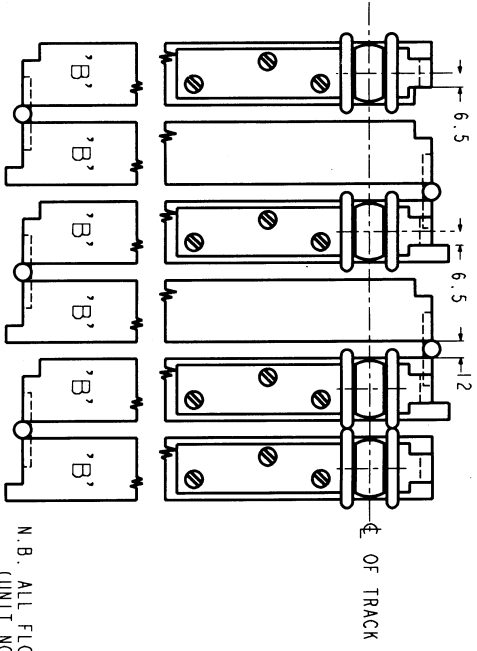
LEAF WIDTHS ARE TO THE  
OF HINGE PINTLES,  
ESSENTIAL CLEARANCES  
TO BE ALLOWED FOR.



$$\frac{X + Z + Z}{8} = \text{WIDTH OF LEAVES MARKED 'B'}$$

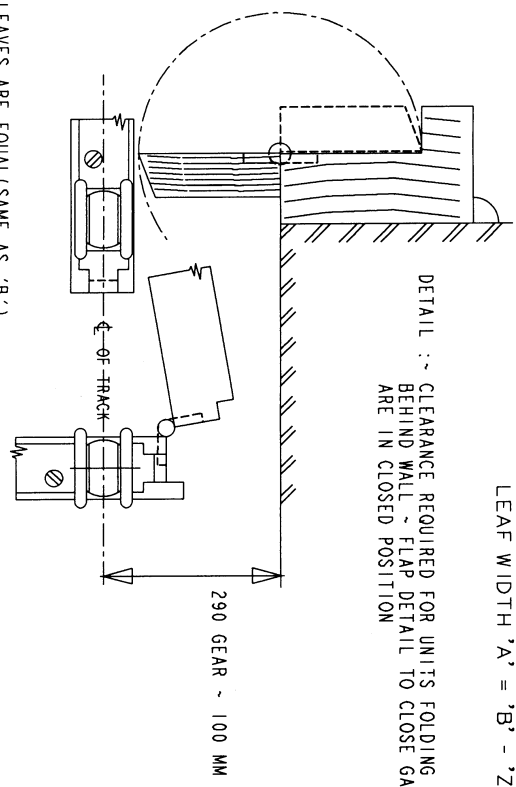
$$\text{LEAF WIDTH 'A' = 'B' - 'Z'}$$

### SIX LEAF 'FLOATING' UNIT



N.B. ALL FLOATING LEAVES ARE EQUAL (SAME AS 'B')  
(UNIT NOT HINGED TO POST - MUST BE IN 4 OR 6 LEAVES)

DETAIL :- CLEARANCE REQUIRED FOR UNITS FOLDING OR 'FLOATING'  
BEHIND WALL - FLAP DETAIL TO CLOSE GAP WHEN UNITS  
ARE IN CLOSED POSITION

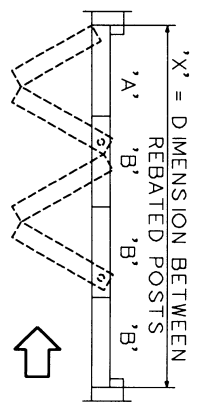
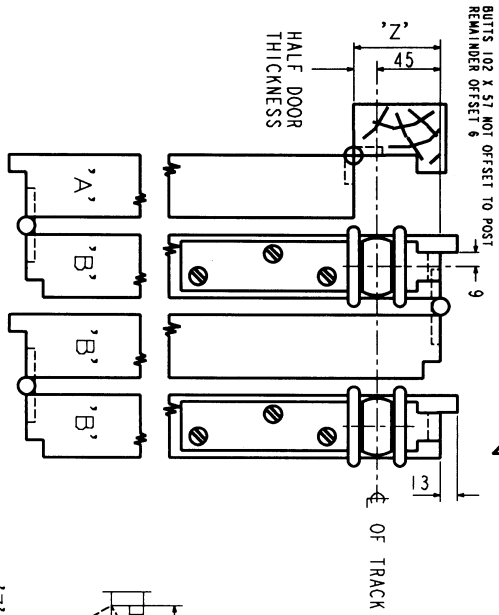


HENDERSON

# JOINERY INSTRUCTIONS

## ENDFOLD PARTITION (COUNCIL) 301, 305

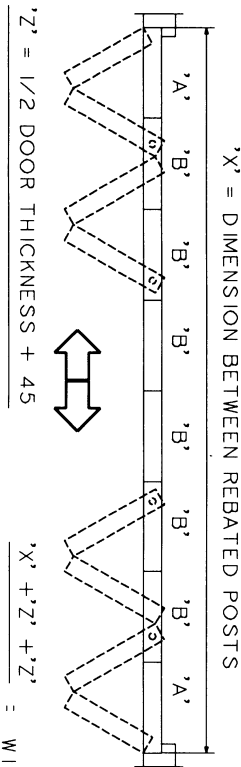
### FOUR LEAF UNIT HINGED TO POST → FOLDING



$$\frac{X + Z}{4} = \text{WIDTH OF LEAVES MARKED 'B'}$$

$$\text{LEAF WIDTH 'A' = 'B' - 'Z'}$$

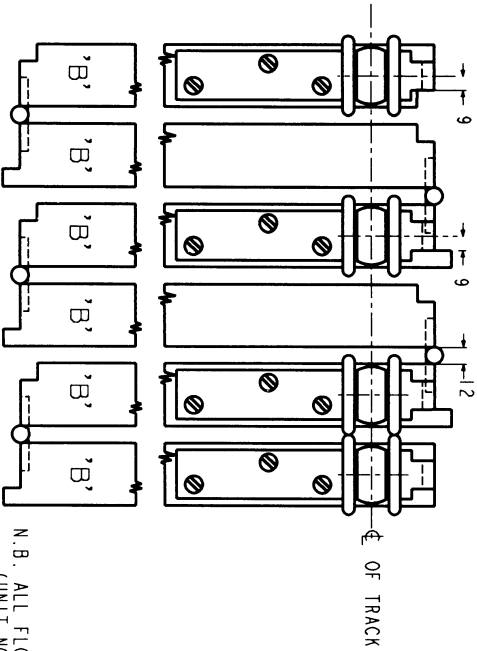
IMPORTANT :-  
LEAF WIDTHS ARE TO THE  
Ø OF HINGE PINTLES.  
ESSENTIAL CLEARANCES  
TO BE ALLOWED FOR.



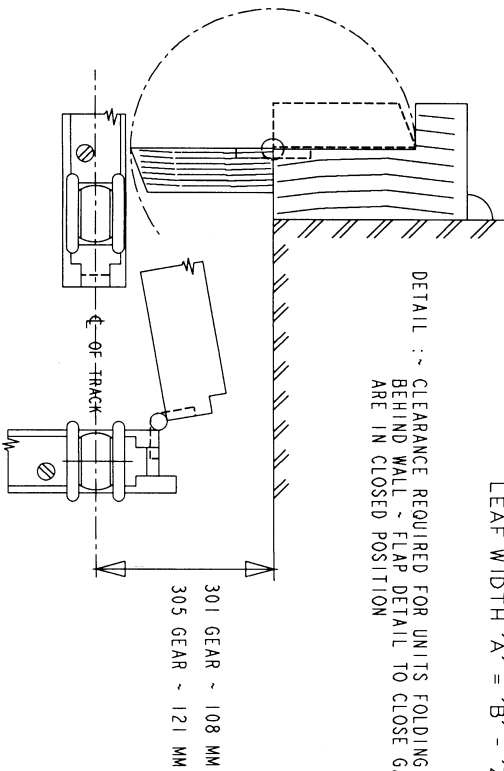
$$\frac{X + Z + Z}{8} = \text{WIDTH OF LEAVES MARKED 'B'}$$

$$\text{LEAF WIDTH 'A' = 'B' - 'Z'}$$

### SIX LEAF 'FLOATING' UNIT → FOLDING



N.B. ALL FLOATING LEAVES ARE EQUAL (SAME AS 'B')  
(UNIT NOT HINGED TO POST - MUST BE IN 4 OR 6 LEAVES)

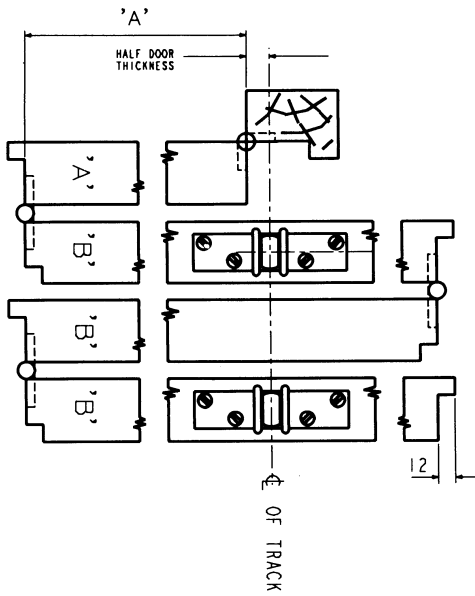


HENDERSON

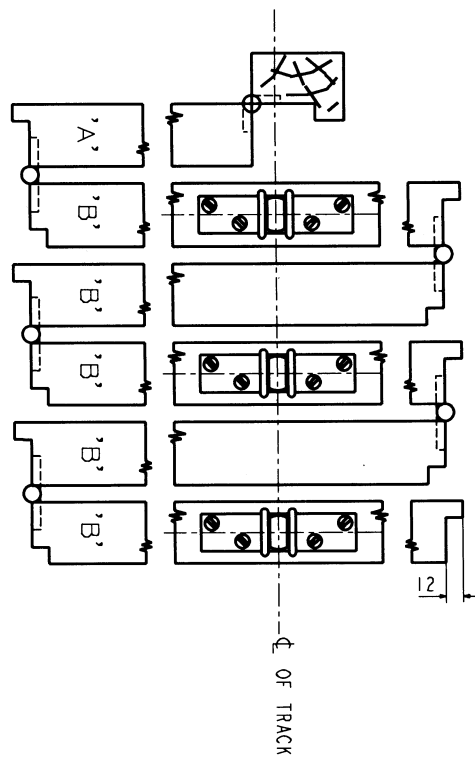
# JOINERY INSTRUCTIONS

## CENTREFOLD PARTITION (COLLEGE) 290, 301, 305

THREE 1/2 LEAF UNIT HINGED TO POST → FOLDING

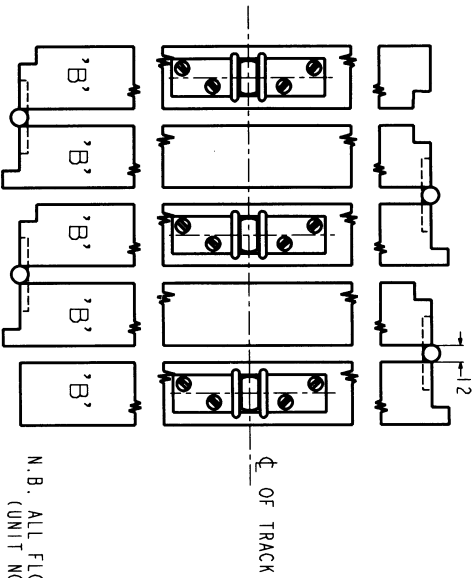


FIVE 1/2 LEAF UNIT HINGED TO POST → FOLDING

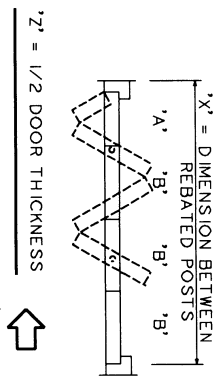


PLEASE NOTE : COUNCIL CENTRE FOLDING SHOWN

FIVE LEAF 'FLOATING' UNIT → FOLDING



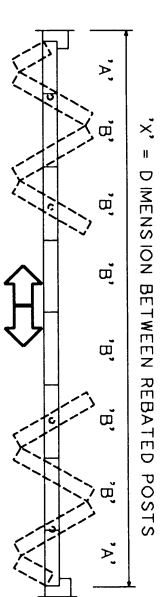
N.B. ALL FLOATING LEAVES ARE EQUAL (SAME AS 'B') (UNIT NOT HINGED TO POST - MUST BE IN 5 OR 7 LEAVES)



$$\frac{X' + Z'}{A' + (3B \times 2)} = \frac{X' + Z'}{7 \left( \frac{1}{2} \text{ OF } 1/2 \text{ LEAVES} \right)} = 1/2 'B' \text{ LEAF}$$

$$1/2 'B' \times 2 = 'B' \text{ LEAF}$$

$$\text{LEAF 'A'} = 1/2 'B' - 'Z'$$



$$\frac{X' + 2Z'}{2A' + (6B \times 2)} =$$

$$\frac{X' + 2Z'}{14 \left( \frac{1}{2} \text{ OF } 1/2 \text{ LEAVES} \right)} =$$

$$1/2 'B' \text{ LEAF}$$

$$1/2 'B' \times 2 = 'B' \text{ LEAF}$$

$$\text{LEAF 'A'} = 1/2 'B' - 'Z'$$

IMPORTANT :-  
LEAF WIDTHS ARE TO THE  
OF HINGE PINNLES,  
ESSENTIAL CLEARANCES  
TO BE ALLOWED FOR.

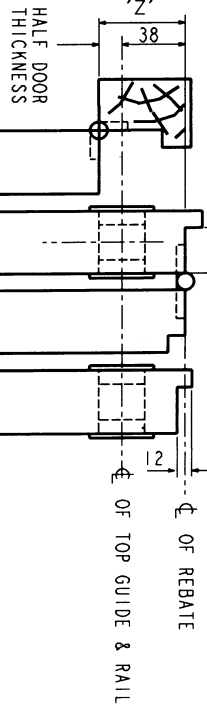
For College Gear see also: Operating and Maintenance Instructions No.2769

# JOINERY INSTRUCTIONS

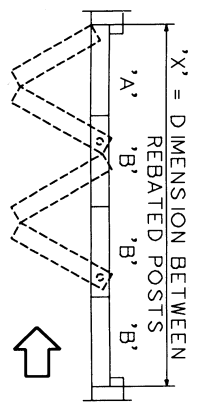
## COLLEGE ENDFOLD 70

### FOUR LEAF UNIT HINGED TO POST

BUTTS 102 X 51 NOT OFFSET TO POST  
REMAINDER OFFSET 6



### FOLDING

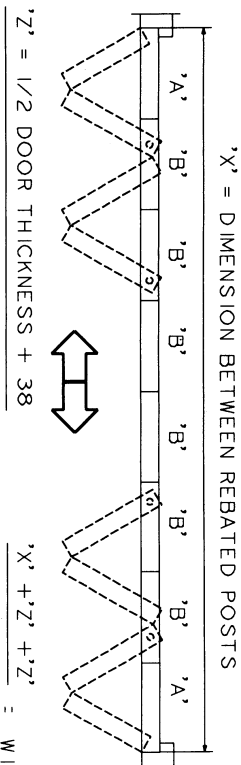
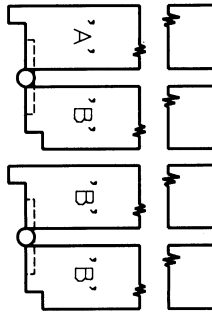


$$\frac{X + Z}{4} = \text{WIDTH OF LEAVES MARKED 'B'}$$

$$\text{LEAF WIDTH 'A' = 'B' - 'Z'}$$

IMPORTANT :-

LEAF WIDTHS ARE TO THE  
OF HINGE PINTLES,  
ESSENTIAL CLEARANCES  
TO BE ALLOWED FOR.

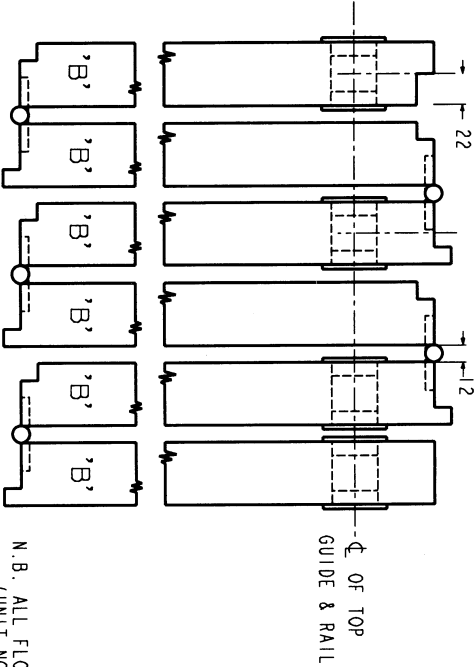


$$\frac{X + Z + Z}{8} = \text{WIDTH OF LEAVES MARKED 'B'}$$

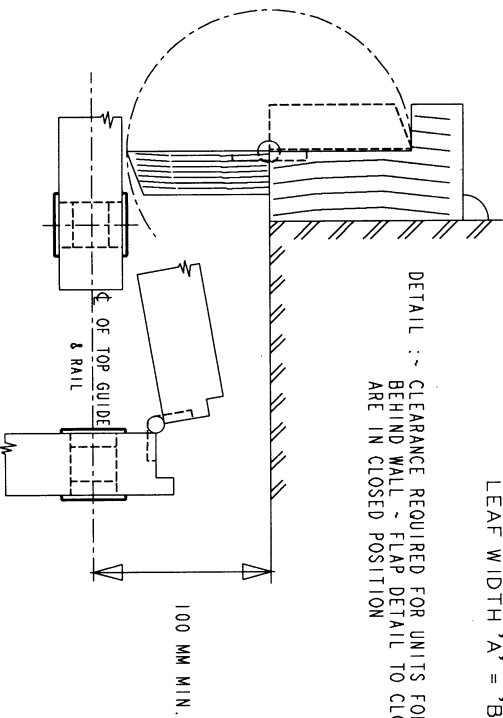
$$\text{LEAF WIDTH 'A' = 'B' - 'Z'}$$

### SIX LEAF 'FLOATING' UNIT

### FOLDING



N.B. ALL FLOATING LEAVES ARE EQUAL (SAME AS 'B')  
(UNIT NOT HINGED TO POST - MUST BE IN 4 OR 6 LEAVES)



DETAIL :- CLEARANCE REQUIRED FOR UNITS FOLDING OR 'FLOATING'  
BEHIND WALL - FLAP DETAIL TO CLOSE GAP WHEN UNITS  
ARE IN CLOSED POSITION

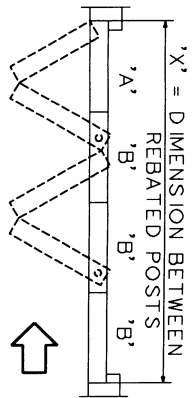
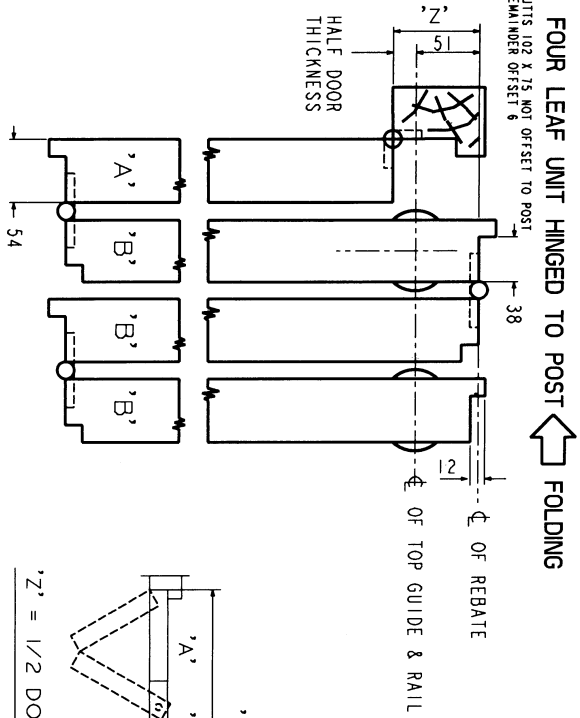
HENDERSON

# JOINERY INSTRUCTIONS

COLLEGE  
ENDFOLD 140

## FOUR LEAF UNIT HINGED TO POST

BUITS 102 X 75 NOT OFFSET TO POST  
REMAINDER OFFSET 6

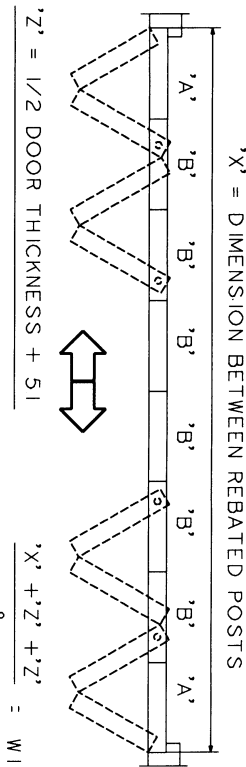


$$\frac{'X' + 'Z'}{4} = \text{WIDTH OF LEAVES MARKED 'B'}$$

$$\text{LEAF WIDTH 'A' = 'B' - 'Z'}$$

IMPORTANT :-

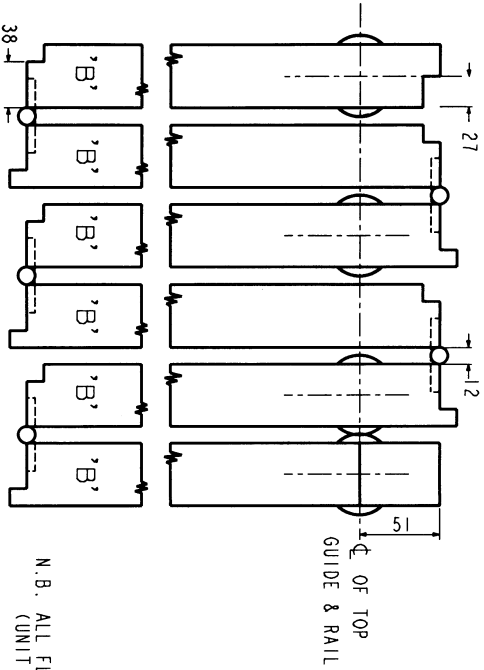
LEAF WIDTHS ARE TO THE  
¢ OF HINGE PINNLES,  
ESSENTIAL CLEARANCES  
TO BE ALLOWED FOR.



$$\frac{'X' + 'Z'}{8} = \text{WIDTH OF LEAVES MARKED 'B'}$$

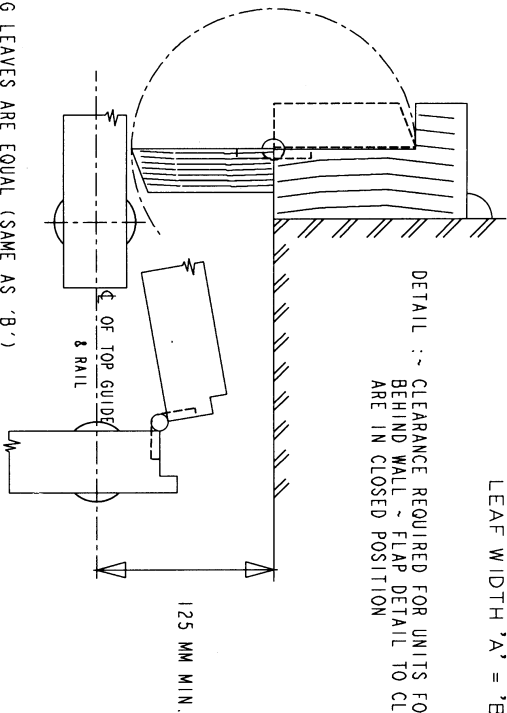
$$\text{LEAF WIDTH 'A' = 'B' - 'Z'}$$

## SIX LEAF FLOATING UNIT



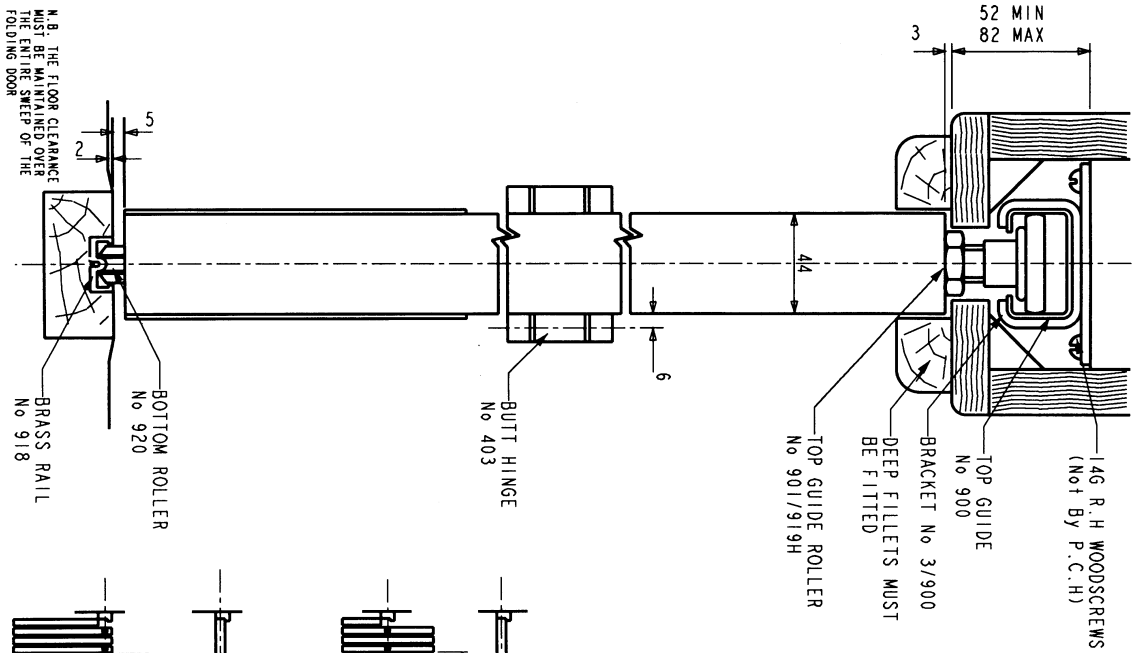
N.B. ALL FLOATING LEAVES ARE EQUAL (SAME AS 'B')  
(UNIT HINGED TO POST MUST BE 4 OR 6 LEAVES)

DETAIL :- CLEARANCE REQUIRED FOR UNITS FOLDING OR 'FLOATING'  
BEHIND WALL - FLAP DETAIL TO CLOSE GAP WHEN UNITS  
ARE IN CLOSED POSITION



# JOINERY INSTRUCTIONS

## COLLEGE ENDFOLD AND CENTREFOLD 70, 140



### HENDERSON FOLDING PARTITION GEARS OPERATING & MAINTENANCE INSTRUCTIONS

#### TO EXTEND THE PARTITION

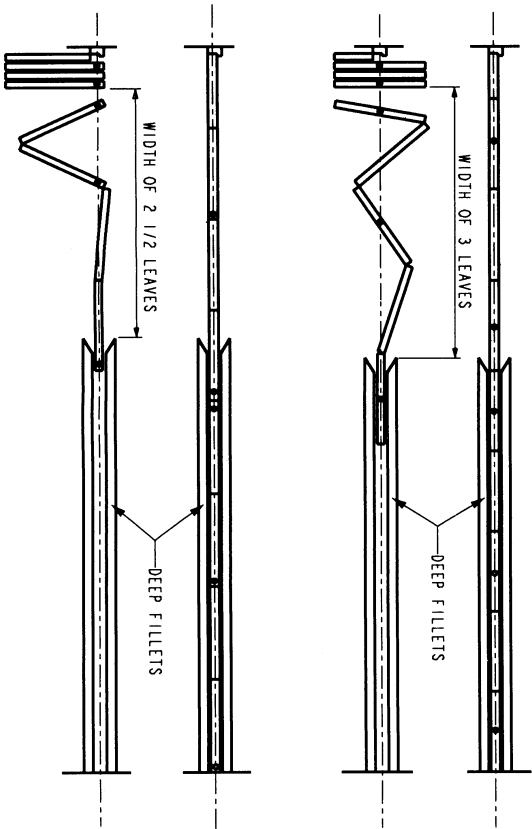
Feed the door leaves carefully into the guide filllets fitted at ceiling height, draw the door into a fully extended position & secure with door bolts.

#### TO FOLD THE PARTITION

Close & secure wicket door (if fitted), release all door bolts & commence folding the door leaves from the hanging post end. Floating units must be drawn in and extended form to the parking position before folding id commenced.

#### MAINTENANCE

Keep bottom rails or channels clear of obstructions. At least once a year inspect running-gear and fittings for free operation. Inspect all fixings and screws & bolts, including those securing brackets & top guide/track, ensure that all are tight. Persistent problems with especially the hinge fixing screws are usually an indication that lead widths or hinge centre distances are incorrect.



TYPICAL PLAN CENTREFOLDING

3 1/2 LEAVES HINGED TO POST  
5 LEAVES FLOATING

TYPICAL PLAN ENDFOLDING

4 LEAVES HINGED TO POST  
4 LEAVES FLOATING

N.B. TYPICAL COLLEGE 70 DETAILS ARE SHOWN. COLLEGE 140 ARE AN EXACT DUPLICATE OF THOSE SHOWN. REFER TO DATA SHEET FOR FURTHER INFORMATION.

HENDERSON