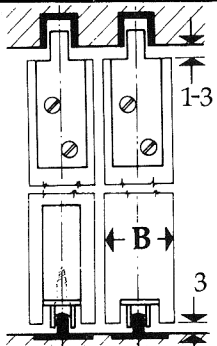
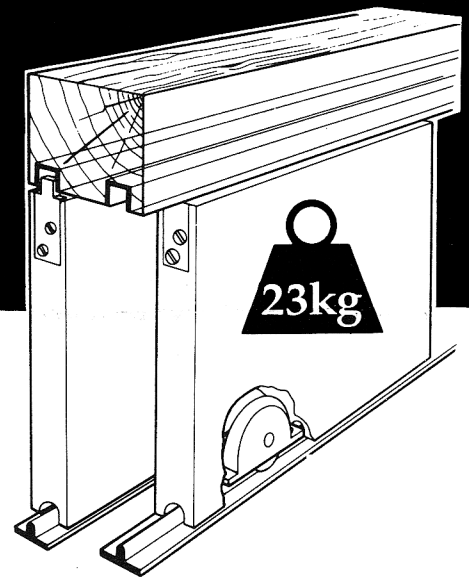
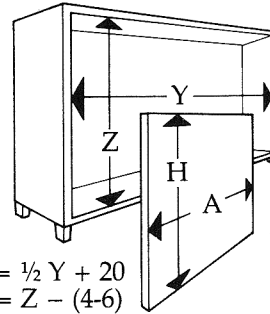
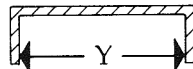


HENDERSON LORETTO



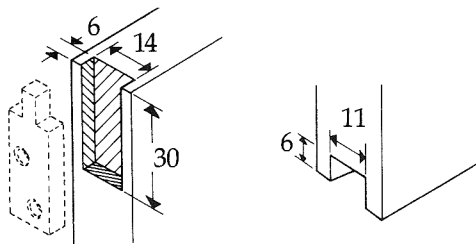
4D Y = 1200 - (23 kg × 2)
 5D Y = 1500 - (23 kg × 2)
 6D Y = 1800 - (23 kg × 2)

B = 19 - 45

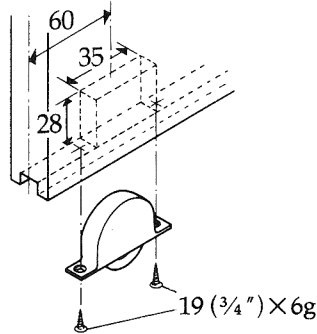


A = $\frac{1}{2} Y + 20$
 H = Z - (4-6)

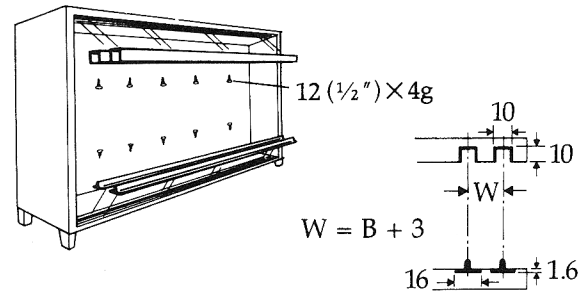
1



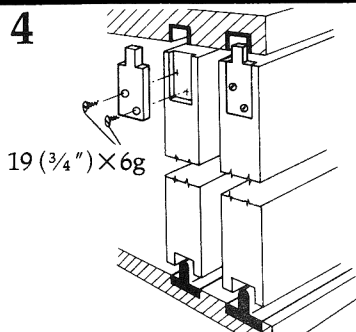
2



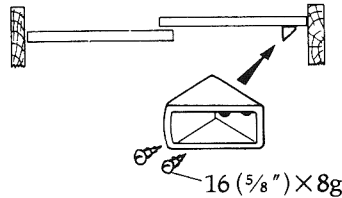
3



4



5



P C Henderson Limited • Bowburn • County Durham • England