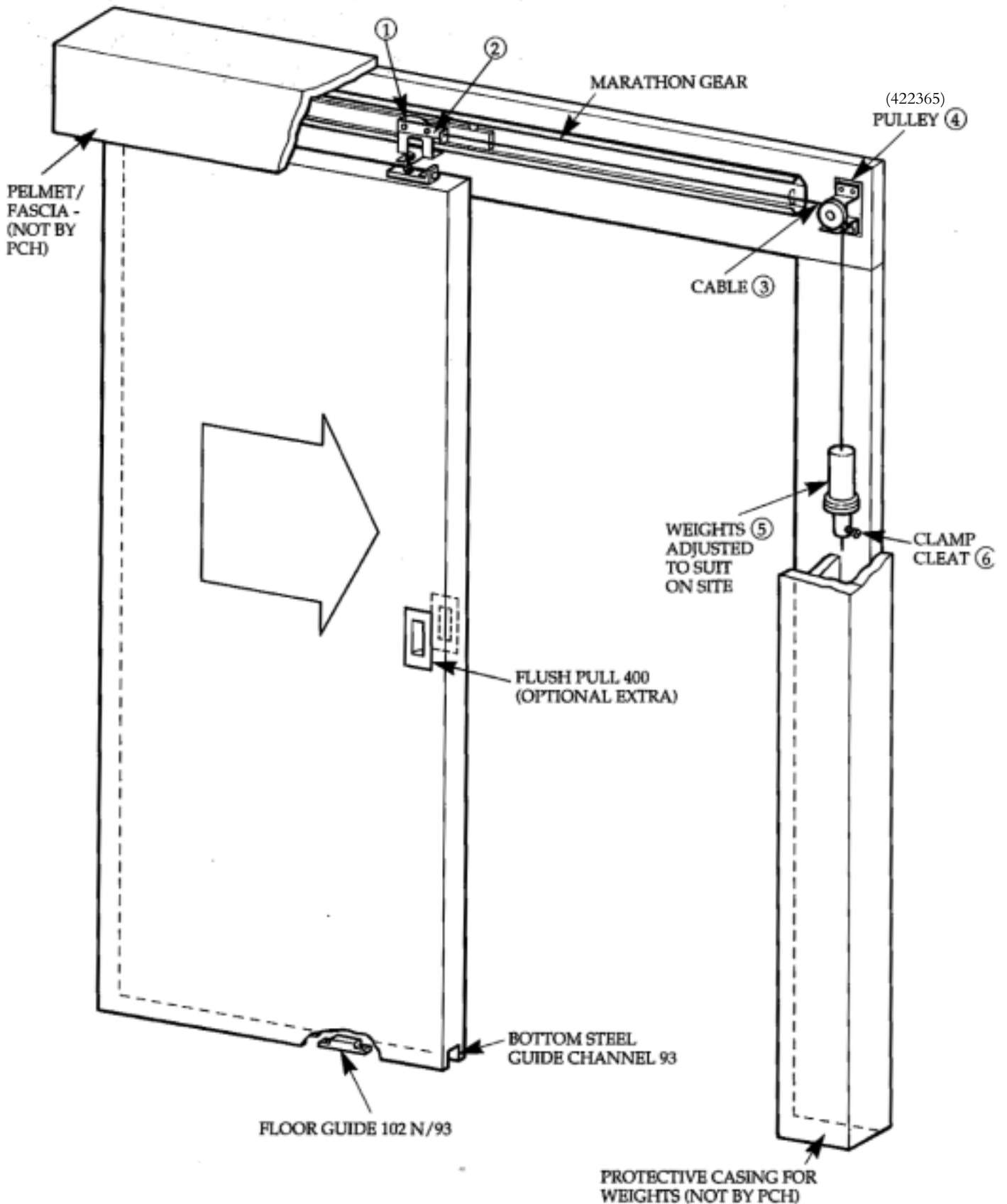


# 3 DIMENSIONAL VIEW OF MARATHON SELF-CLOSING DOOR KIT



**P. C. Henderson Limited**

Durham Road, Bowburn, County Durham, DH6 5NG, England Telephone: 0191 377 0701 Fax: 0191 377 1309

**[www.pchenderson.com](http://www.pchenderson.com)**

# HENDERSON

# MARATHON

## SELF CLOSING DOOR KIT

### FOR DOORS UP TO 60KG

---

DESIGNED FOR USE IN CONJUNCTION WITH  
P.C. HENDERSON MARATHON DOOR GEAR.

#### STANDARD KIT SIZES

The MARATHON Self-Closing Kit (SCK 1) is produced for use with doors weighing up to 60kg max.

#### OPERATION

The easily operated sliding door is returned automatically to the closed position after each operation by the smooth operation of the counterbalance weights.

#### INSTALLATION PROCEDURE

1. Install the Marathon door gear as per fixing instructions.
2. Unscrew hex. headed bolts ① and attach cable fixing plate ②.
3. Insert threaded end of the cable into the cable fixing plate ② and secure with a lock nuts.
4. Position pulley ④ .
5. Attach the weights ⑤ to the cable ③ and temporarily secure with clamp cleat ⑥.
6. Adjust weights ⑤ to suit. Too much weight will cause the door to close too quickly.
7. Lock clamp cleat ⑥.

Henderson Self-Closing Door Kit can also be used in conjunction with Phantom door gear up to a max. door weight of 45kg.

---

FOR FURTHER ASSISTANCE PLEASE CONSULT P. C.  
HENDERSON LIMITED TECHNICAL DEPARTMENT