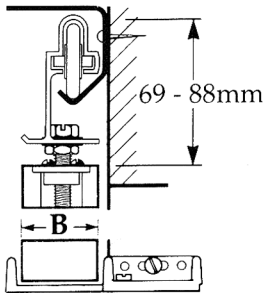
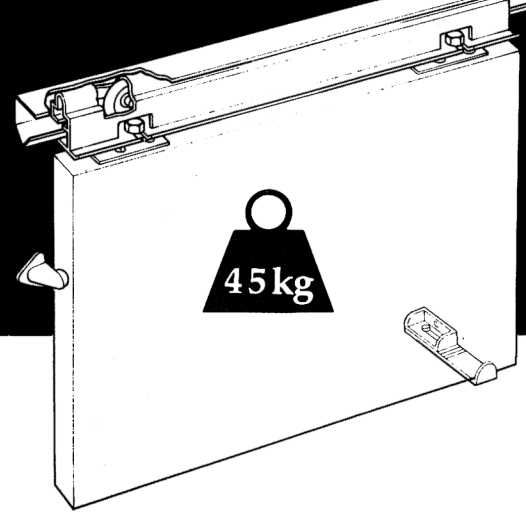


HENDERSON PHANTOM



A = 610 - 915mm
B = 30 - 50mm

