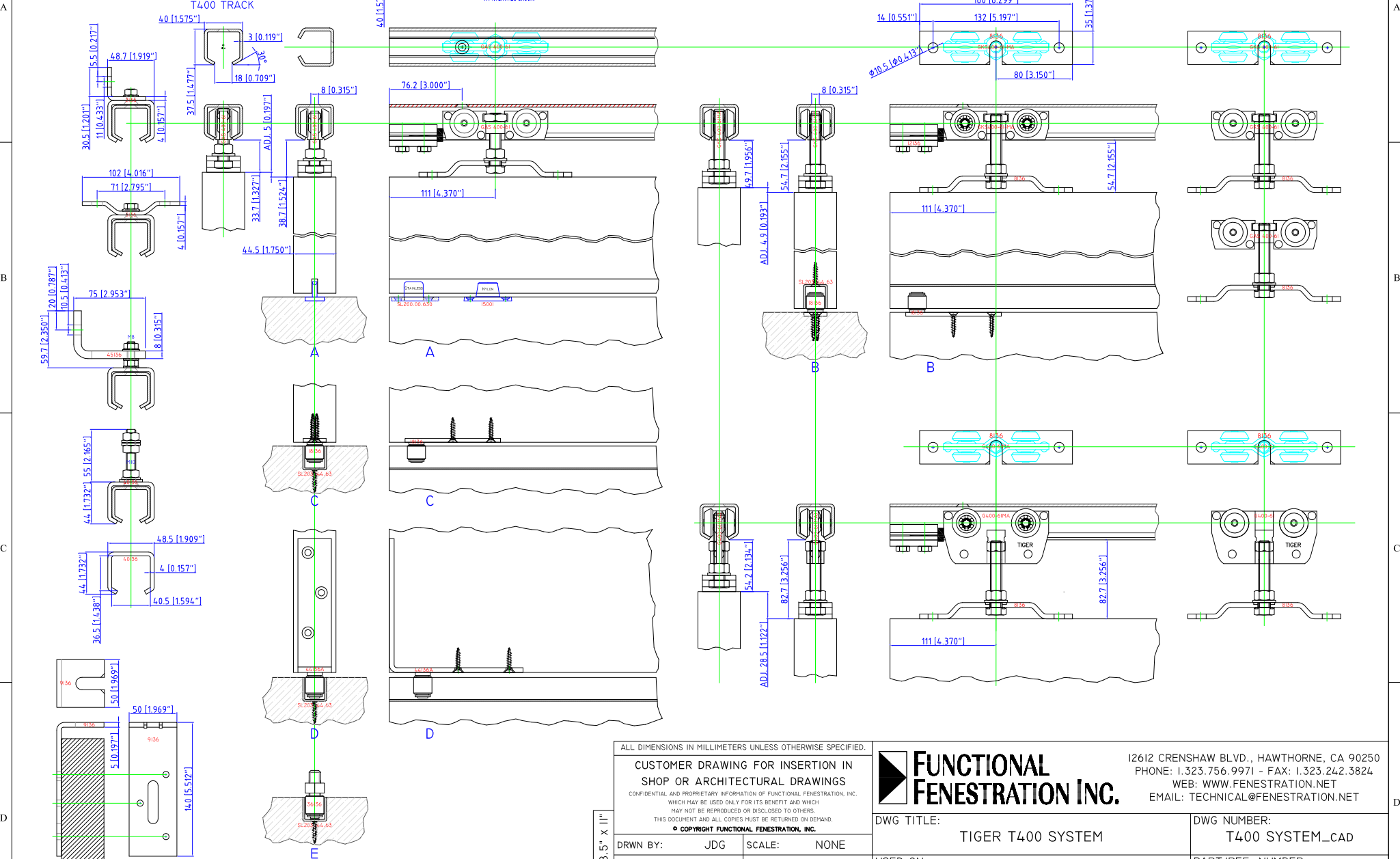
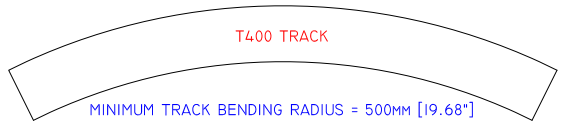


SPECIFICATIONS					
PART NO.	LENGTH	MATERIAL/FINISH	HOLE DISTANCE FROM ENDS	HOLE SPACING	# of HOLES
1400.96.01	96" (8')	304L STAINLESS STEEL/MILL	76.2mm (3.0")	76.2mm (3.0")	4
1400.144.01	144" (12')	304L STAINLESS STEEL/MILL	76.2mm (3.0")	76.2mm (3.0")	6
1400.240.01	240" (20')	304L STAINLESS STEEL/MILL	76.2mm (3.0")	660.4mm (26.0")	10

T400 TRACK		
676 (26.6")	666.4 (26.2")	76.2 (3.0")
76.2 (3.0")	367.6 (14.4")	76.2 (3.0")
76.2 (3.0")	701.6 (27.6")	76.2 (3.0")
76.2 (3.0")	2438.4 (96")	76.2 (3.0")
76.2 (3.0")	76.2 (3.0")	76.2 (3.0")



ALL DIMENSIONS IN MILLIMETERS UNLESS OTHERWISE SPECIFIED.

CUSTOMER DRAWING FOR INSERTION IN SHOP OR ARCHITECTURAL DRAWINGS
 CONFIDENTIAL AND PROPRIETARY INFORMATION OF FUNCTIONAL FENESTRATION, INC. WHICH MAY BE USED ONLY FOR ITS BENEFIT AND WHICH MAY NOT BE REPRODUCED OR DISCLOSED TO OTHERS.
 THIS DOCUMENT AND ALL COPIES MUST BE RETURNED ON DEMAND.
 © COPYRIGHT FUNCTIONAL FENESTRATION, INC.



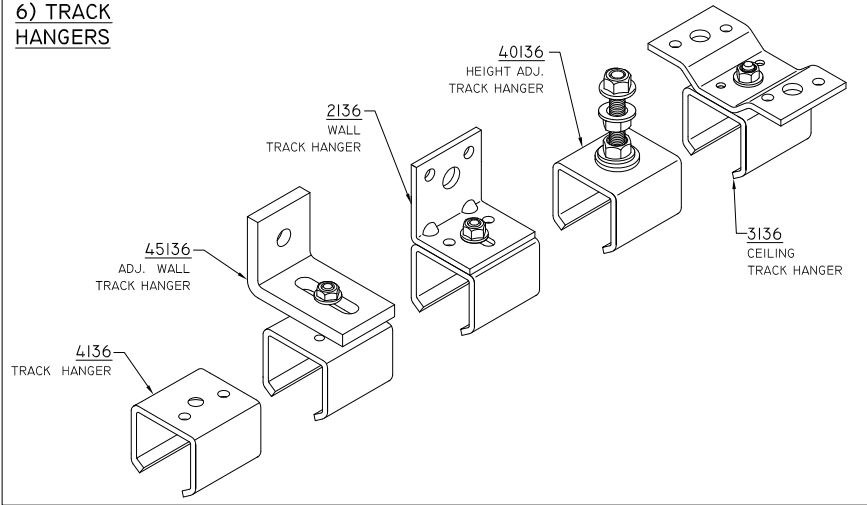
12612 CRENSHAW BLVD., HAWTHORNE, CA 90250
 PHONE: 1.323.756.9971 - FAX: 1.323.242.3824
 WEB: WWW.FENESTRATION.NET
 EMAIL: TECHNICAL@FENESTRATION.NET

DRWN BY: JDG	SCALE: NONE
CHKD BY: -	MTL.: 316 SSTL
DATE: 11JUN10	FNSH: -
REV.: -	SHEET NO.: 1 OF 1
FIRST ANGLE PROJECT.	

DWG TITLE: TIGER T400 SYSTEM	DWG NUMBER: T400 SYSTEM_CAD
USED ON: TOP HUNG SLIDING SYSTEMS	PART/REF NUMBER: SEE SCHEDULE
THIS DOCUMENT AND ALL INFORMATION THEREIN IS CONFIDENTIAL AND IT IS THE SOLE PROPERTY OF FUNCTIONAL FENESTRATION, INC. AND SHALL NOT BE REPRODUCED OR DISCLOSED IN ANY SHAPE OR FORM TO THIRD PARTIES WITHOUT PRIOR APPROVAL FROM FUNCTIONAL FENESTRATION, INC. <small>DISCLAIMER: THESE TECHNICAL DRAWINGS ARE PROVIDED SOLELY FOR INFORMATION PURPOSES. FUNCTIONAL FENESTRATION, INC. DOES NOT WARRANT THAT THESE DRAWINGS SATISFY FEDERAL, STATE OR LOCAL LAWS, REGULATIONS OR ORDINANCES WHICH MAY APPLY IN THE JURISDICTION IN WHICH THE PRODUCT SUPPLIED IS USED. CUSTOMER ACCEPTS FULL RESPONSIBILITY FOR COMPLIANCE WITH ALL LEGAL AND REGULATORY REQUIREMENTS PERTAINING TO THE INSTALLATION AND USE OF WINDOW/DOOR/SKYLIGHT HARDWARE.</small>	

REV. No.:	DESCRIPTION	DATE	BY
1			
2			

6) TRACK HANGERS



MAXIMUM WEIGHTS
(PER CARRIAGE)

LOW PROFILE CARRIAGE
w/PETP WHEELS
#GAS 400-61 = 165 LB.

LOW PROFILE CARRIAGE
w/STAINLESS WHEELS
#FH400-61 = 176 LB.

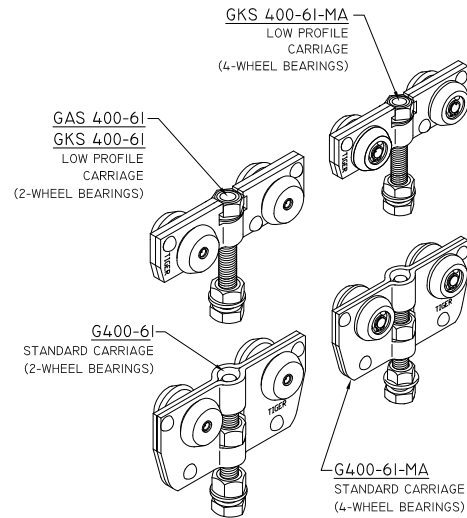
LOW PROFILE
MARATHON CARRIAGE
w/STAINLESS WHEELS
#FH480-61MA = 198 LB.

STANDARD PROFILE
CARRIAGE
w/STAINLESS WHEELS
#G400-61 = 176LB.

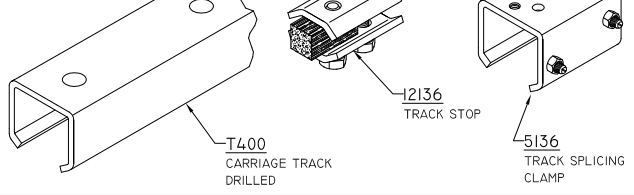
STANDARD PROFILE
MARATHON CARRIAGE
w/STAINLESS WHEELS
#G400-61-MA = 220 LB.

T400 TRACK
PER METER (39") = 275LB.
PER TRACK = 352LB.

2) CARRIAGES



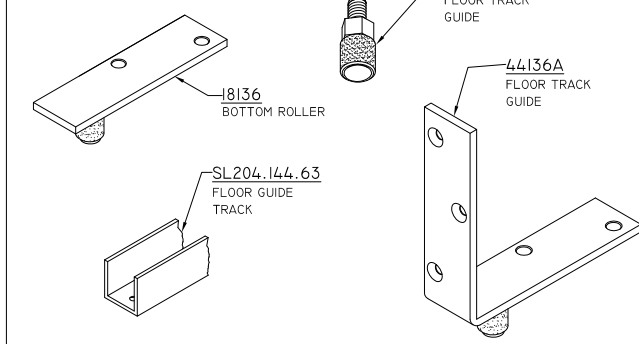
1) TRACK COMPONENTS



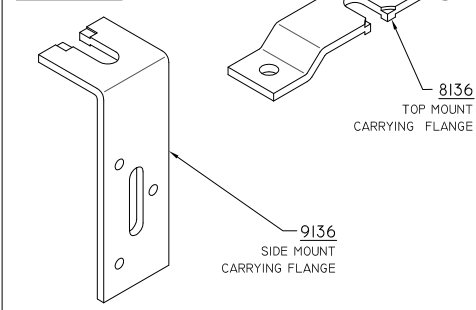
4) FLOOR GUIDE PINS



5) FLOOR GUIDES & TRACK



3) CARRIAGE BRACKETS



ALL DIMENSIONS IN MILLIMETERS UNLESS OTHERWISE SPECIFIED.

CUSTOMER DRAWING FOR INSERTION IN SHOP OR ARCHITECTURAL DRAWINGS
CONFIDENTIAL AND PROPRIETARY INFORMATION OF FUNCTIONAL FENESTRATION, INC. WHICH MAY BE USED ONLY FOR ITS BENEFIT AND WHICH MAY NOT BE REPRODUCED OR DISCLOSED TO OTHERS.
THIS DOCUMENT AND ALL COPIES MUST BE RETURNED ON DEMAND.
© COPYRIGHT FUNCTIONAL FENESTRATION, INC.



12612 CRENSHAW BLVD., HAWTHORNE, CA 90250
PHONE: 1.323.756.9971 - FAX: 1.323.242.3824
WEB: WWW.FENESTRATION.NET
EMAIL: TECHNICAL@FENESTRATION.NET

SHEET SIZE: 8.5" x 11"

DRWN BY: JDG	SCALE: NONE
CHKD BY: -	MTL.: 316 SSTL
DATE: 11JUN10	FNSH: -
REV.: -	SHEET NO.: 2 OF 2

DWG TITLE: TIGER T400 SYSTEM HARDWARE	DWG NUMBER: T400 SYSTEM_CAD
USED ON: TOP HUNG SLIDING SYSTEMS	PART/REF. NUMBER: SEE SCHEDULE

THIS DOCUMENT AND ALL INFORMATION THEREIN IS CONFIDENTIAL AND IT IS THE SOLE PROPERTY OF FUNCTIONAL FENESTRATION, INC. AND SHALL NOT BE REPRODUCED OR DISCLOSED IN ANY SHAPE OR FORM TO THIRD PARTIES WITHOUT PRIOR APPROVAL FROM FUNCTIONAL FENESTRATION, INC.
DISCLAIMER: THESE TECHNICAL DRAWINGS ARE PROVIDED SOLELY FOR INFORMATION PURPOSES. FUNCTIONAL FENESTRATION, INC. DOES NOT WARRANT THAT THESE DRAWINGS SATISFY FEDERAL, STATE OR LOCAL LAWS, REGULATIONS OR ORDINANCES WHICH MAY APPLY IN THE JURISDICTION IN WHICH THE PRODUCT SUPPLIED IS USED. CUSTOMER ACCEPTS FULL RESPONSIBILITY FOR COMPLIANCE WITH ALL LEGAL AND REGULATORY REQUIREMENTS PERTAINING TO THE INSTALLATION AND USE OF WINDOW/DOOR/SKYLIGHT HARDWARE.