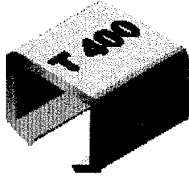
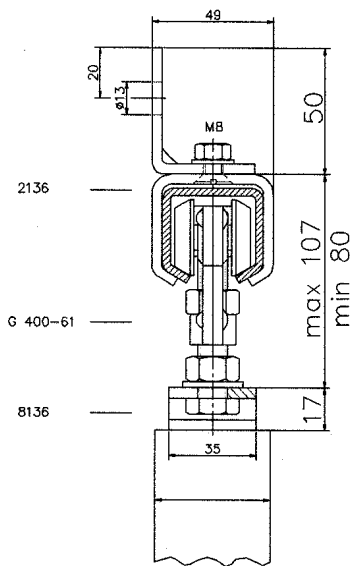


Technical
Drawings

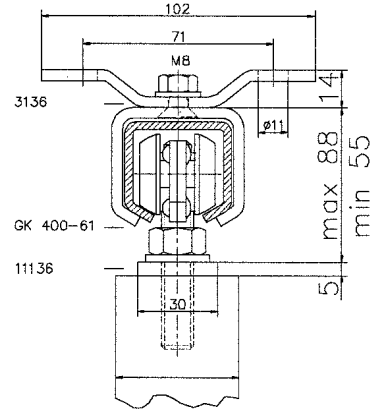


Wall installation



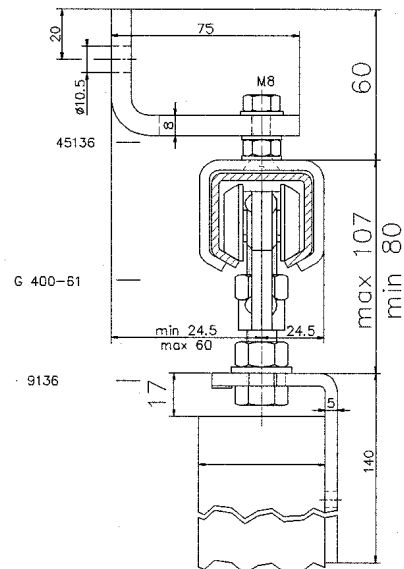
Fixing method of door	Door thickness	Shown on this sketch
Carrying flange	35 - 43	☺
Angled carrying flange	42 - 43	
Flange with inner thread	30 - 43	

Ceiling installation



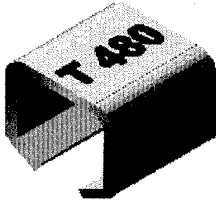
Fixing method of door	Door thickness	Shown on this sketch
Carrying flange	35 - ...	
Angled carrying flange	42 - 60	
Flange with inner thread	30 - ...	☺

Adjustable wall installation

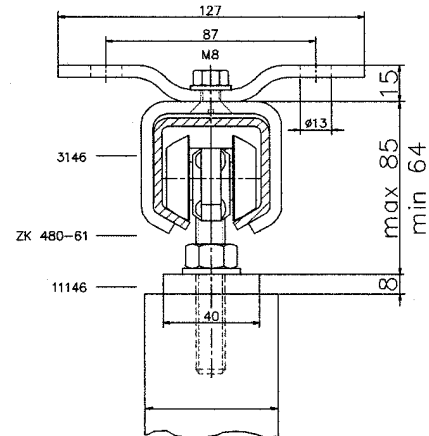


Fixing method of door	Door thickness	Shown on this sketch
Carrying flange	35 - 110	
Angled carrying flange	42 - 60	☺
Flange with inner thread	30 - 110	

Technical
Drawings

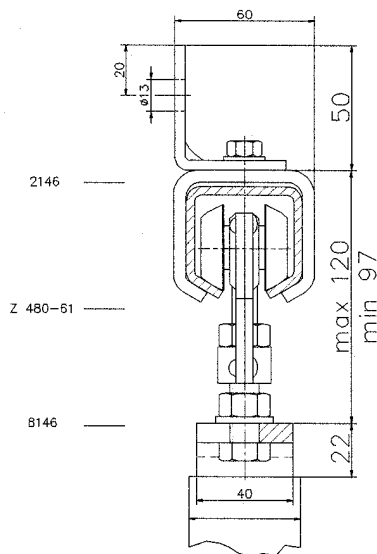


Ceiling installation



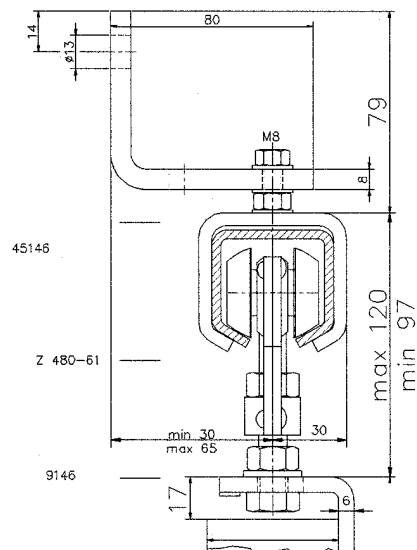
Fixing method of door	Door thickness	Shown on this sketch
Carrying flange	40 - ...	
Angled carrying flange	52 - 64	
Flange with inner thread	40 - ...	☉

Wall installation



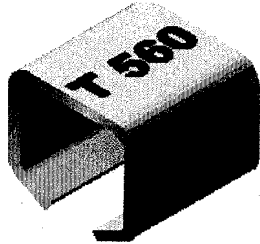
Fixing method of door	Door thickness	Shown on this sketch
Carrying flange	40 - 54	☉
Angled carrying flange	52 - 54	
Flange with inner thread	40 - 54	

Adjustable wall installation

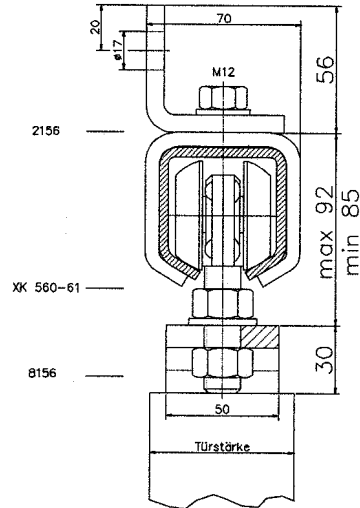


Fixing method of door	Door thickness	Shown on this sketch
Carrying flange	40 - 120	
Angled carrying flange	52 - 64	☉
Flange with inner thread	40 - 120	

Technical
Drawings

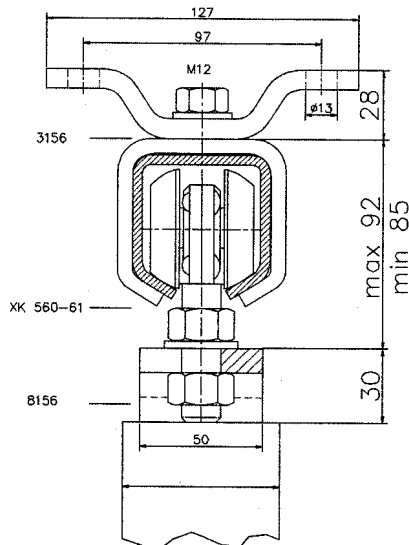


Wall installation



Fixing method of door	Door thickness	Shown on this sketch
Carrying flange	50 - 64	☉
Angled carrying flange	50 - 64	
Flange with inner thread	50 - 64	

Ceiling installation



Fixing method of door	Door thickness	Shown on this sketch
Carrying flange	50 - ...	☉
Angled carrying flange	50 - 64	
Flange with inner thread	50 - ...	